

# KADO

## Kado Aspect Flush Mount Inline Exhaust

### SPECIFICATIONS

Recommended Use	Domestic, Hotel & Commercial
Material	Plastic Fascia
Electrical Connection	Plug and Lead
Voltage	220-240V~50Hz
Exhaust Fan (L/H)	40/50 watts 438/561m <sup>3</sup> H
Standard	AS/NZS:
Cutout Size	583 x 153mm
Inclusions	Inline Exhaust Fan, Intake Fascia, Outlet Grille, Ø150mm x 6m Aluminium Ducting

### OPTIONS

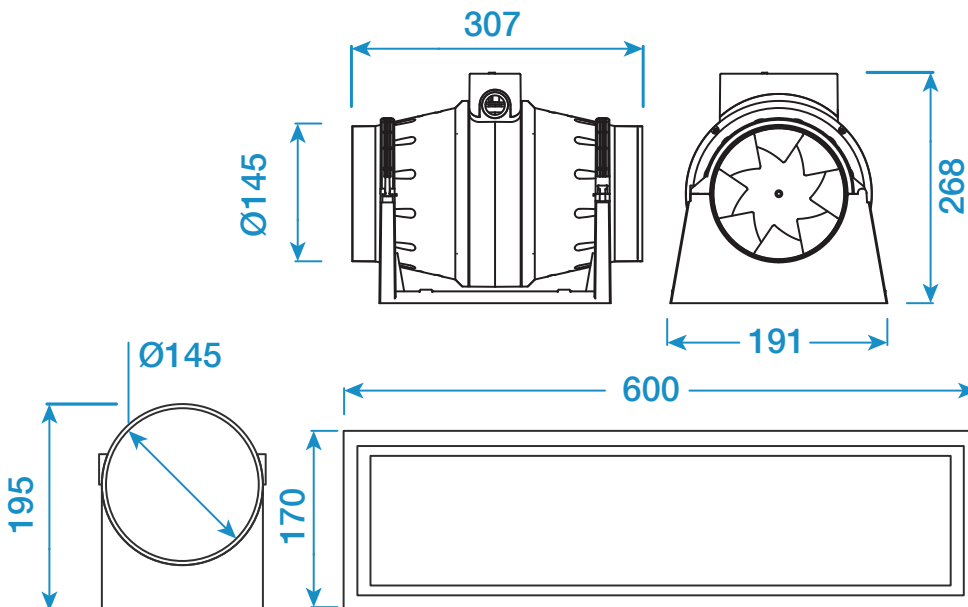
	Reece Code:
White	2053943
Black	2053944

### WARRANTY

Motor Warranty - Domestic Use	7 Years
Spare Parts & Labour	24 Months
<i>Please refer to Warranty Page for full Terms and Conditions</i>	



To see the complete Kado range go to [www.reece.com.au/bathrooms](http://www.reece.com.au/bathrooms)



### DIMENSIONS IN MM

Dimensions are nominal measurements only.

**Disclaimer:** Products in this specification manual must by regulation be installed by licensed and registered trade people. The manufacturer/distributor reserves the right to vary specifications or delete models from their range without prior notification. Dimensions are nominal measurements only. Dimensions and set-outs listed are correct at time of publication however the manufacturer/distributor takes no responsibility for printing errors.

Published 15/05/18

