

# KADO

## Kado Lux Quad Frame Towel Rail 450, 650, 850mm

### SPECIFICATIONS

Recommended Use	Domestic, Hotel & Commercial
Material	Stainless Steel 304 Grade
Variations	Heated or Non Heated
Electrical Connection	Hardwired
Available Colour Options	Polished & Brushed Stainless Steel, Matte Black & Matte White
Power Entry	Left or Right Leg Cable entry
Heating Method	Replaceable Dry Element (no Leaks)
Voltage	12V AC Safety Isolating Transformer
Wattage	450mm-30W, 650mm-45W, 850mm-60W
IP Rating	IPX7 (Immersion at 1 metre for 30mins)
Transformer Kit	Included
Ecotimer	Included with Transformer Kit Has 2 Adjustable 'On' Periods per day with 3 Separate Heat Outputs - 50, 75 or 100%
Standard	AS/NZS:60335.2.43

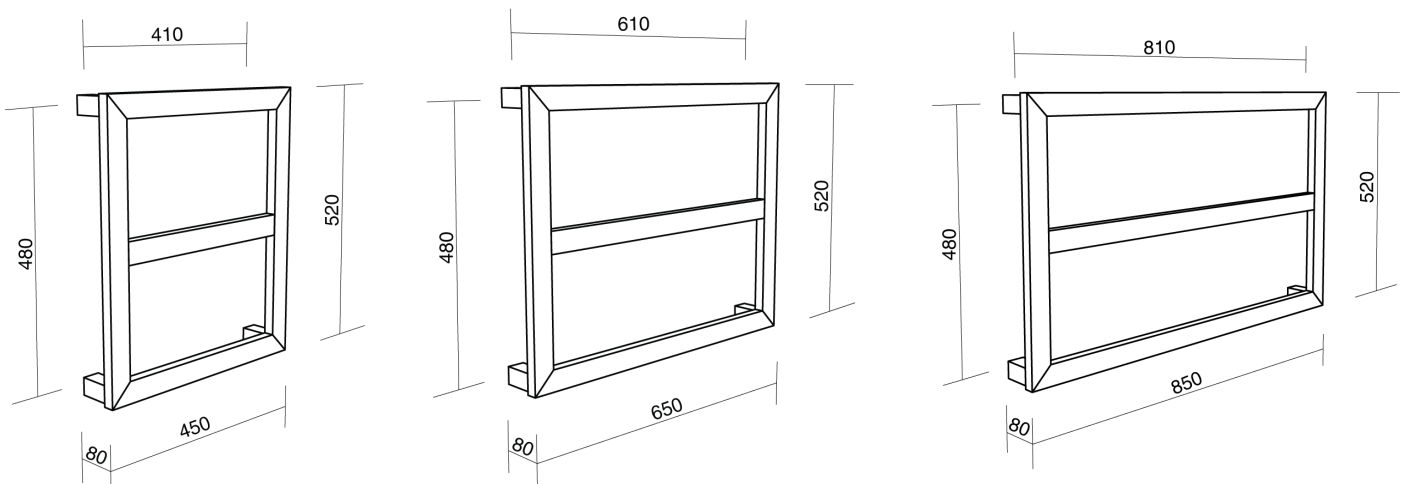
### WARRANTY

Warranty - Domestic Use	7 Years
Heating Element, Timer & Transformer,	3 Years
Spare Parts & Labour	12 Months

Please refer to Warranty Page for full Terms and Conditions



To see the complete Kado range go to [www.reece.com.au/bathrooms](http://www.reece.com.au/bathrooms)



Dimensions are nominal measurements only.

**Disclaimer:** Products in this specification manual must by regulation be installed by licensed and registered trade people. The manufacturer/distributor reserves the right to vary specifications or delete models from their range without prior notification. Dimensions are nominal measurements only. Dimensions and set-outs listed are correct at time of publication however the manufacturer/distributor takes no responsibility for printing errors.

Published 12/06/18



# KADO

## Kado Lux Quad Frame Towel Rail 450, 650, 850mm

### Towel Rail Tubing Cross Section

