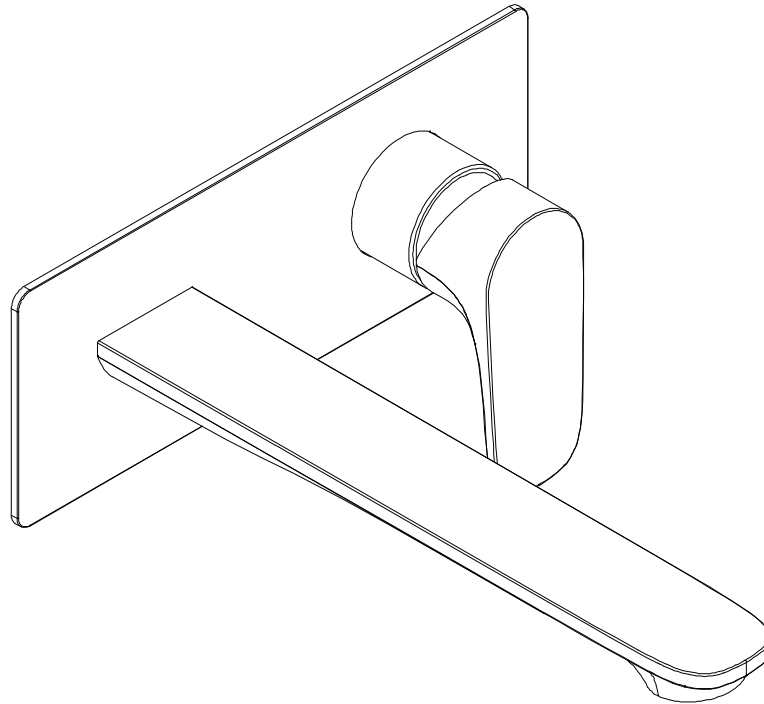
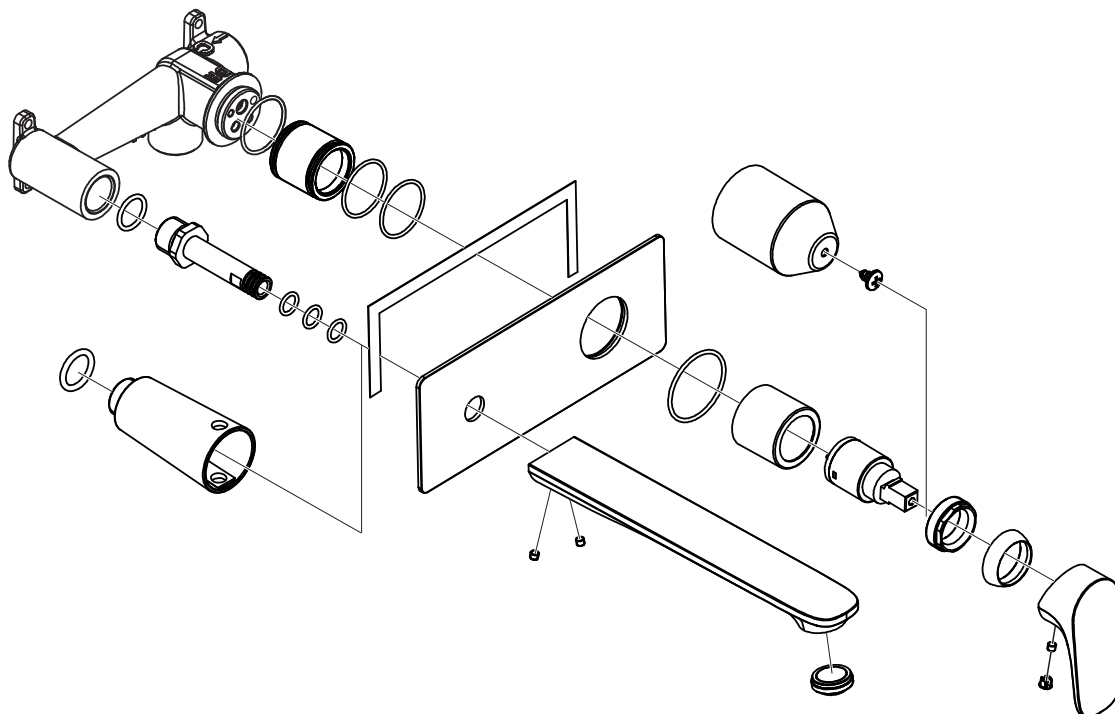


# mizu

## Mizu Silk Wall Basin Mixer / Wall Bath Mixer (5 Star)



### Diagram




### Installation Instructions





**Mixer must be installed to the requirements of AS/NZS 3500 by a qualified plumber. The mixers are factory tested and sealed so as to give the best performance.**

## Installation

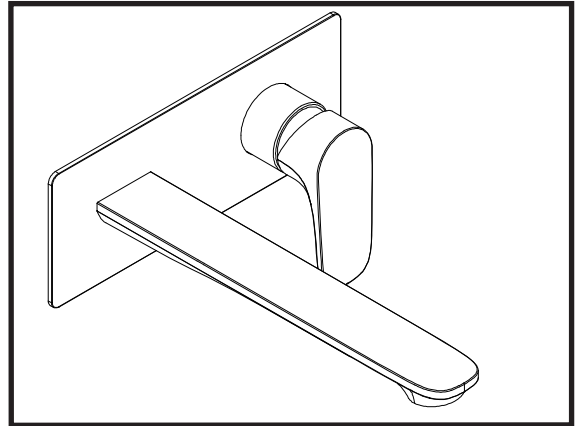
**Important**  Flush out new pipe work prior to connecting the new mixer.


**Important**  During installation, protect the exposed surface finish by using the plastic covers provided.

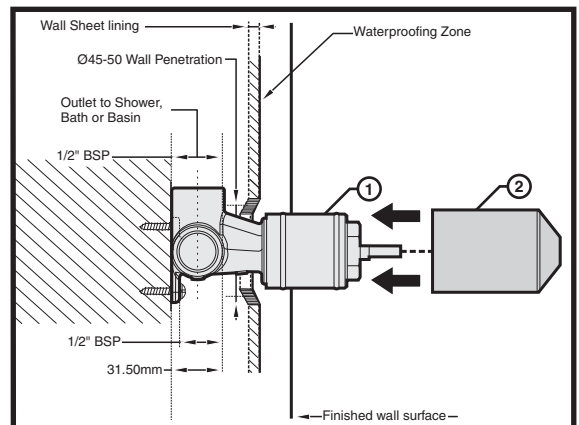
**Important**  In a typical installation, the mixer is mounted on a timber/metal noggin and secured using suitable screws through the mounting lugs.

**Important**  Waterproofing and sealant materials are used to seal against moisture or water penetration to ensure integrity of the wall sheet lining structure. It must not interfere with the removal of the protective cover and installation of the mixer trim components. The installing plumber is responsible for waterproofing the shower mixer penetration AS 3740 - Waterproofing of Domestic Wet Areas.

**Note:** This tap is suitable for applications where both hot and cold water supply pressures are at 150kPa - 500kPa.

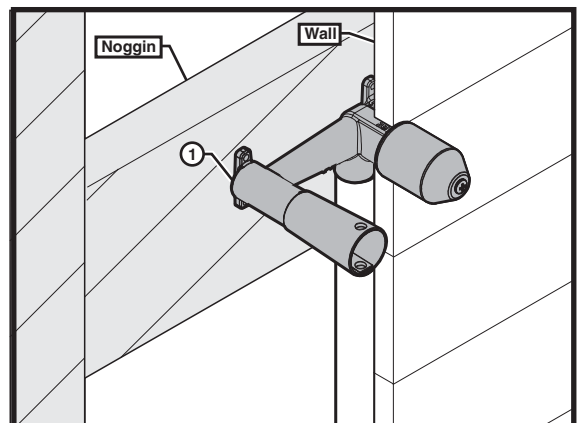
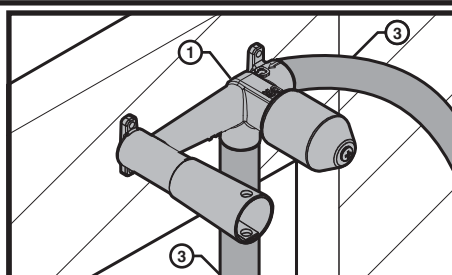


**Important**  Waterproofing / sealant materials must be clear of the Protective Cover (2) and the surface it protects (1) to allow for removal of the protective cover and mixer trim set for fit off.



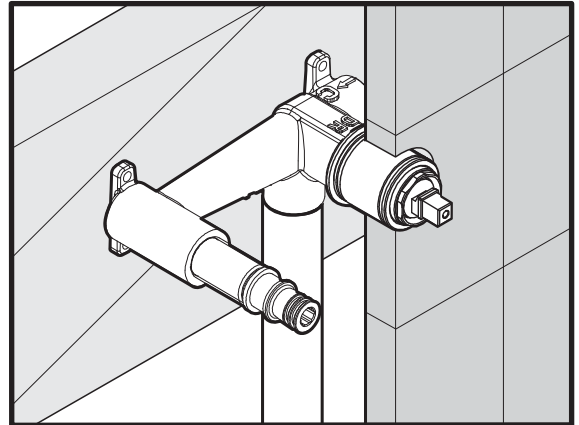
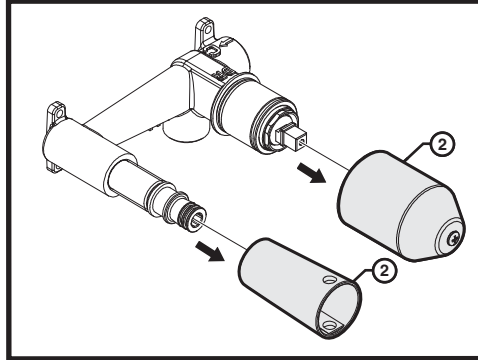
1. Connect Mixer (1) to hot and cold Water Supply (3).
2. Connect shower pipework to the top outlet.
3. Pressure test all connections in accordance to AS/NZS 3500.

**Important**  Leaking joints are not covered by the warranty.

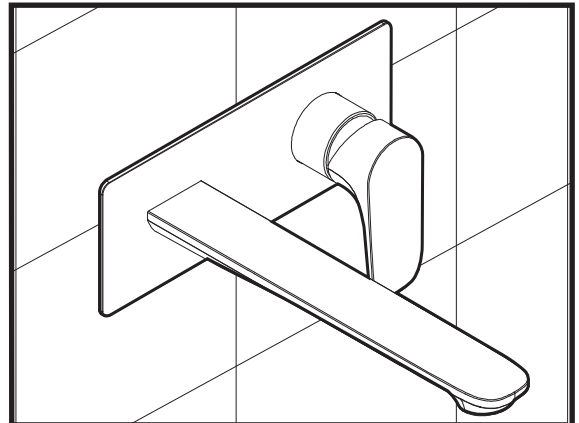
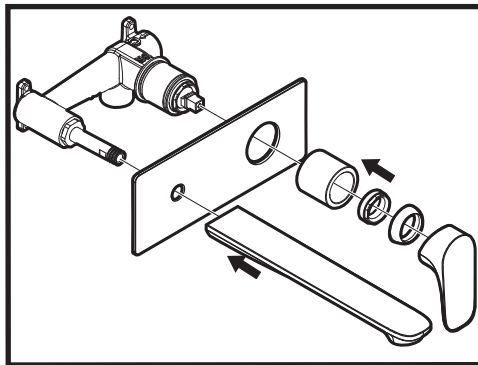


# mizu

1. When the wall is finished (eg. tiled), remove the protective covers (2).

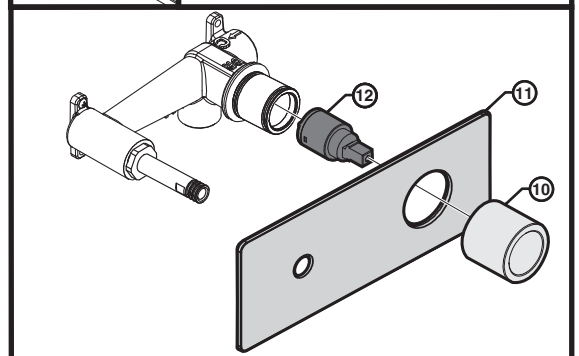
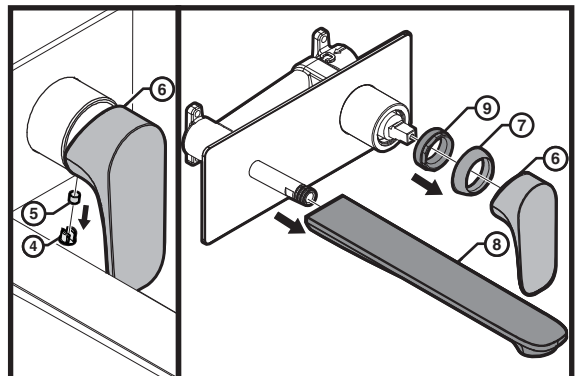


2. Fit the Basin or Bath Mixer Trim Set to finished wall.



## Servicing - Replacement of Cartridge

1. Remove Decorative Cover (4) and unscrew the Grub Screw (5) using an allen key.
2. Lift off the Handle (6) and remove the Cartridge Dome (7), Outlet (8) and unscrew the Brass Locking Nut (9).
3. Remove Cartridge Sleeve (10) and Back Plate (11).
4. Lift out the Cartridge (12).
5. Re-fit the Cartridge (12), Cartridge Sleeve (10), Back Plate (11), Locking Nut (9), Cartridge Dome (7), Outlet (8) and Handle (6).
6. Tighten Grub Screw (5) and push in Decorative Cover (4).

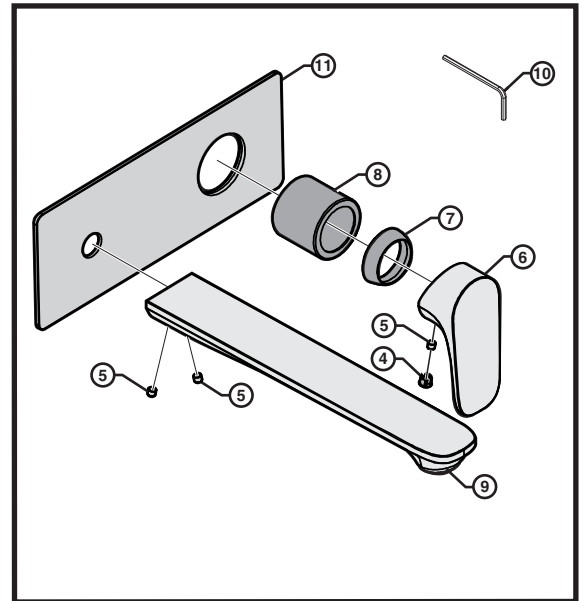


# mizu

## Replacement of Trim Set

The Mizu Universal Inwall Body is an innovative installation system that allows for separation of the inwall body from the trim set kit. Once the Universal Inwall Body is installed, the retrofittable trim set kit can be updated to another choice of finish from the Mizu Silk range or a design and finish change from the Mizu Drift MK2 range.

1. Remove Decorative Cover (4) and unscrew the Grub Screw (5) using Allen Key (10).
2. Lift off the Mixer Handle (6) and Outlet (9).
3. Remove Cartridge Dome (7) and Cartridge Sleeve (11).
4. Remove mixer Backplate Set (12).
5. Reassemble trim set from desired range.



MIZU SILK WALL BASIN & BATH MIXER

Number	Part	Quantity	Finish			
			Chrome	Matte Black	Brushed Nickel	Brushed Gun Metal
4-11	Mizu Silk Wall Basin Mixer Trimset (5 Star)	1 Set	9510774	9510775	9510756	9510757
4-11	Mizu Silk Wall Bath Mixer Trimset	1 Set	9510758	9510759	9510760	9510761
4-6	Mizu Silk Handle Set	1	2265000	2265001	2265002	2265003
7	Mizu Silk Concealed Wall Mixer Cartridge Dome	1	2265017	2265018	2265019	2265020
8	Mizu Silk Concealed Wall Mixer Cartridge Sleeve	1	2265021	2265022	2265023	2265024
11	Mizu Silk Wall Basin/Bath Mixer Cover Plate	1	2265033	2265034	2265035	2265036
9	Mizu Silk Wall Basin/Bath Outlet	1				
	Mizu Silk Wall Basin Outlet Aerator (5 Star)	1	9510778			
	Mizu Silk Wall Bath Outlet Aerator	1	2265012			
10	Mizu Silk Allen Key 2.5mm	1				

## Care Details

We recommend the use of soapy water or approved cleaners. This product should not be cleaned with abrasive materials. Damage caused by any improper treatment is not covered by the product warranty. Refer to Warranty Conditions

**Plumbers, please ensure a copy of the installation instruction is left with the end user for future reference.**

