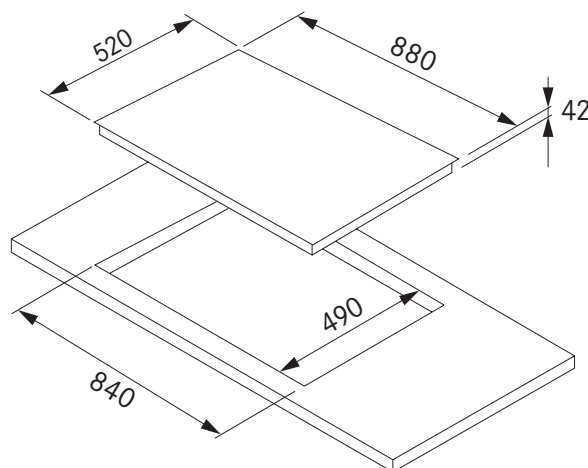
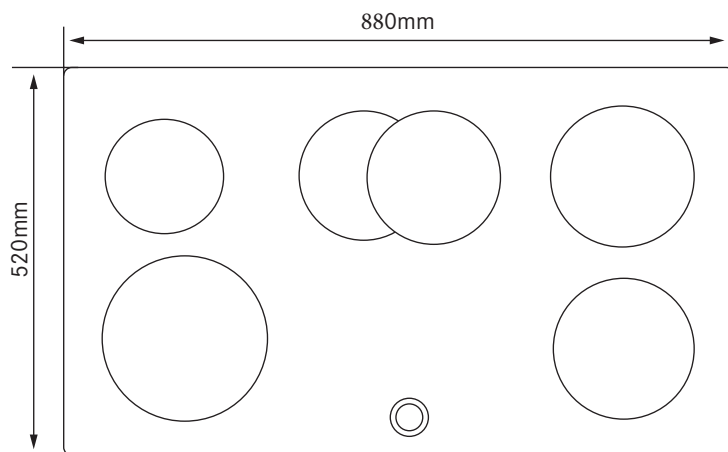
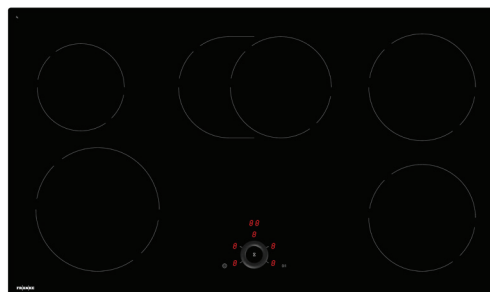


## DESIGNER HI LIGHT COOKTOP 88CM

### SPECIFICATIONS

<b>Recommended use</b>	Domestic
<b>Material</b>	Black Glass
<b>Colour availability</b>	Black
<b>Dimensions</b>	880 x 520 x 42mm
<b>Weight</b>	15.2kg gross
<b>Zones</b>	5
<b>Control type</b>	Touch
<b>Voltage / Frequency</b>	220-240V / 50-60Hz
<b>Max power KW</b>	9500 W
<b>FR Capacity (KW)</b>	2300 W
<b>BR Capacity (KW)</b>	1200 W
<b>FL Capacity (KW)</b>	1800 W
<b>BL Capacity (KW)</b>	1800 W
<b>M Capacity (KW)</b>	2400/1500 W
<b>Auto shut-off</b>	Yes
<b>Child lock</b>	Yes
<b>Overheat indicator</b>	Yes
<b>Power levels</b>	10
<b>Power connection</b>	Hardwired



Dimensions are nominal measurements only

### CLEANING RECOMMENDATIONS

**Switch-off the appliance before cleaning.**

Do not clean the hob if the glass is too hot because they are risk of burn.

Remove light marks with a damp cloth with washing up liquid diluted in a little water. Then rinse with cold water and dry the surface thoroughly. Highly corrosive or abrasive detergents and cleaning equipment likely to cause scratches must be absolutely avoided. Do not ever use any steam-driven or pressure appliance. Do not use any object that may scratch the ceramic glass. Ensure that the pan is dry and clean. Ensure that there are no grains of dust on your ceramic hob or on the pan. Sliding rough saucepans will scratch the surface. Spillages of sugar, jam, jelly, etc. must be removed immediately. You will thus prevent the surface being damaged. Damage caused by any improper treatment is not covered by the product warranty. Refer to Warranty Conditions.