

Product Specifications



Product description

Rainshower System SmartControl 360 DUO

Shower system with thermostat for wall mounting

Consisting of:

Horizontal 500 mm shower arm

Exposed SmartControl thermostat

Allows change between:

Head shower Rainshower 360 DUO, spray plate chrome

GROHE PureRain/GROHE Rain O² spray* and TrioMassage

Power&Soul 115 hand shower, spray plate white (27 671 LS0)

Hand shower wall holder (27 055 000)

Silverflex shower hose 1750 mm (28 388)

GROHE DreamSpray perfect spray pattern

GROHE StarLight chrome finish

GROHE CoolTouch no risk of scalding

GROHE TurboStat compact cartridge with wax thermoelement

GROHE SafeStop safety button at 38°C

GROHE SafeStop Plus Temperature limiter at 43° C

GROHE SmartControl push for ON-OFF, turn for volume

Adjustment

GROHE EasyReach shower tray

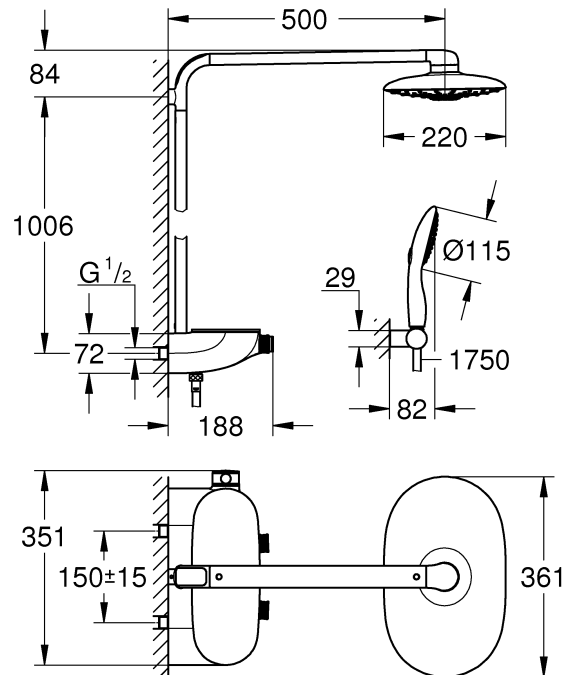
SpeedClean anti-lime system

GROHE Zero Inner WaterGuide for a longer life

Twistfree to prevent hose from twisting

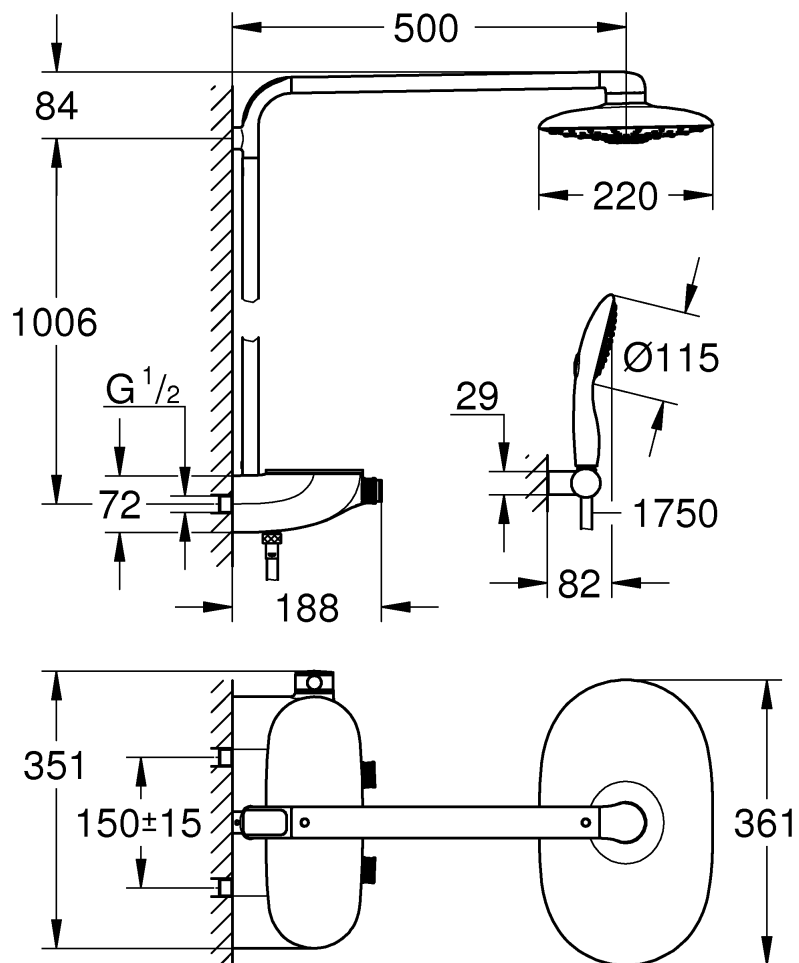
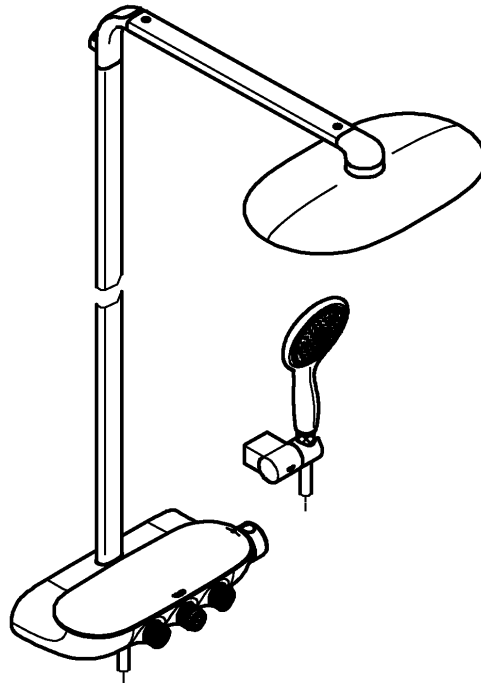
* To be decided at first installation; factory default setting:

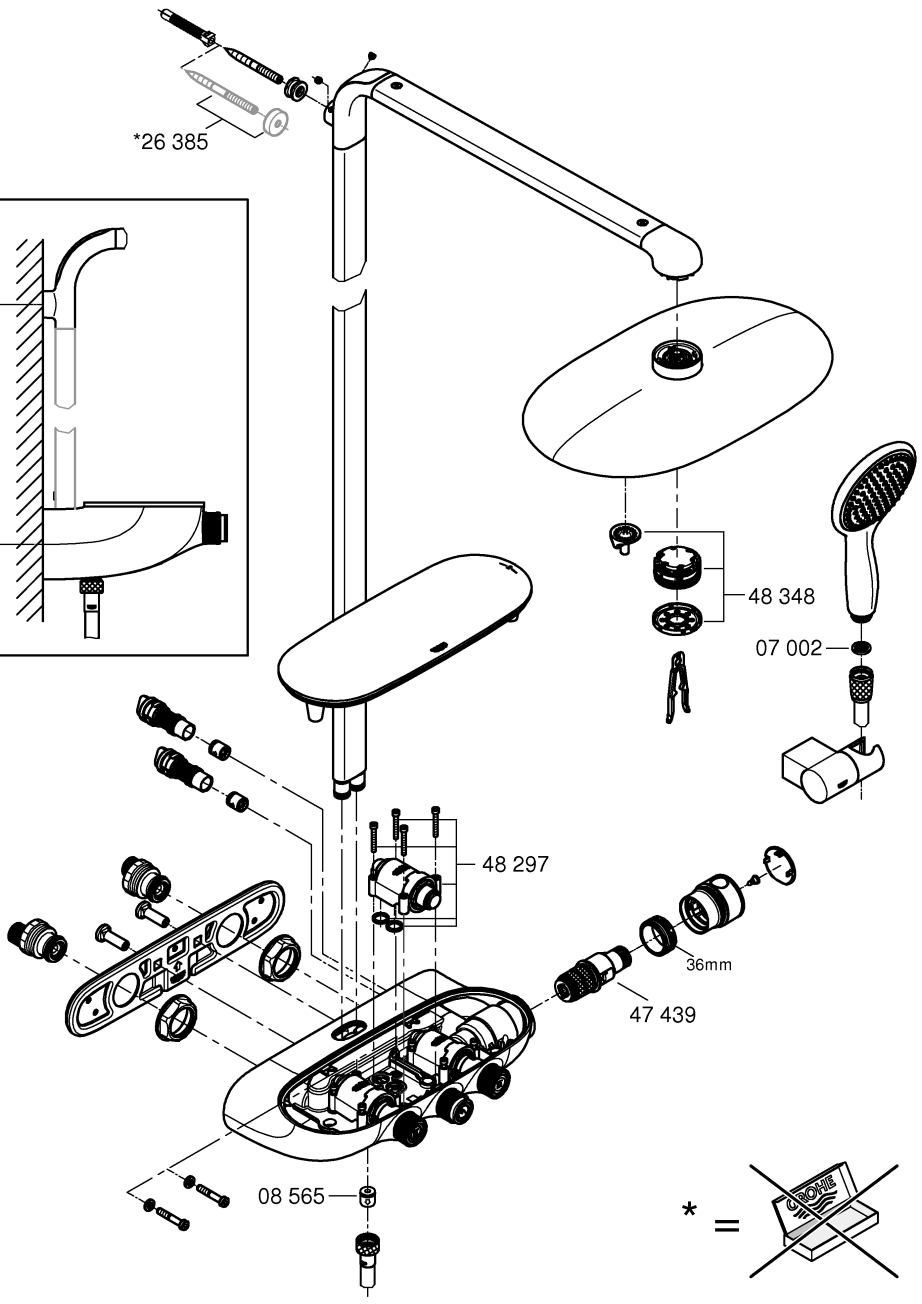
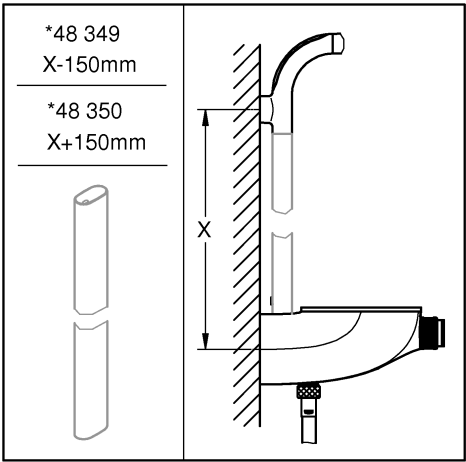
GROHE PureRain or GROHE Rain02 spray



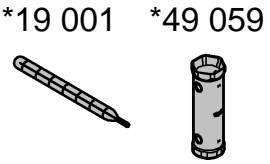
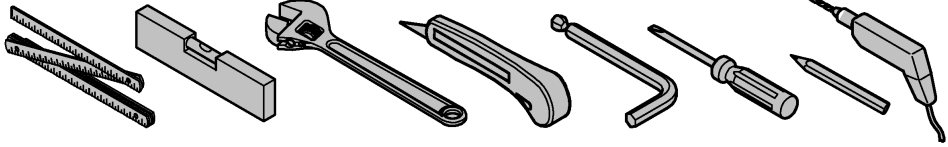


26 537



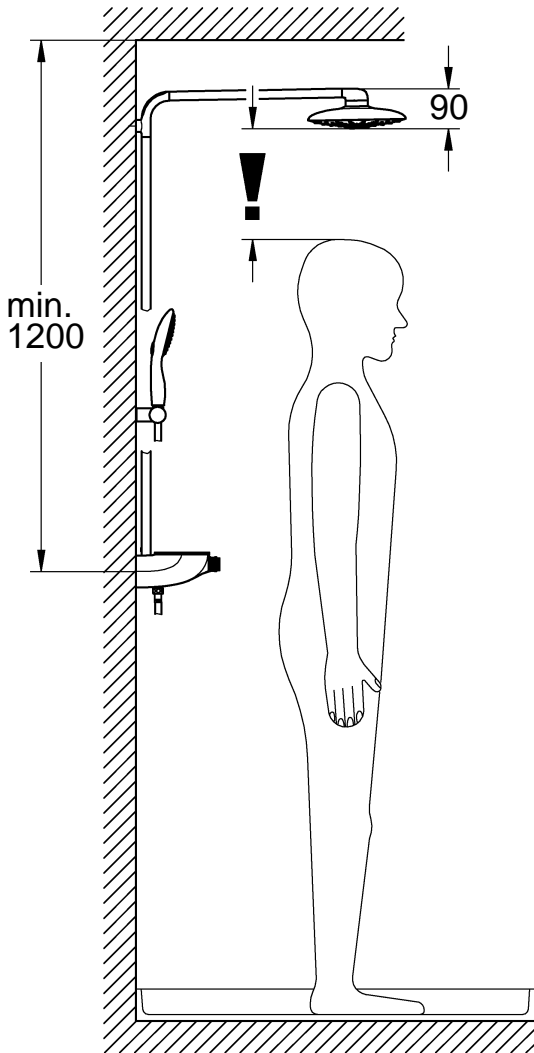


*49 059 	*26 385 	+8 	47 439
36mm 			*47 175



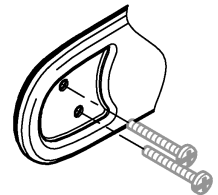
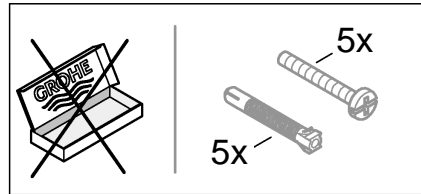
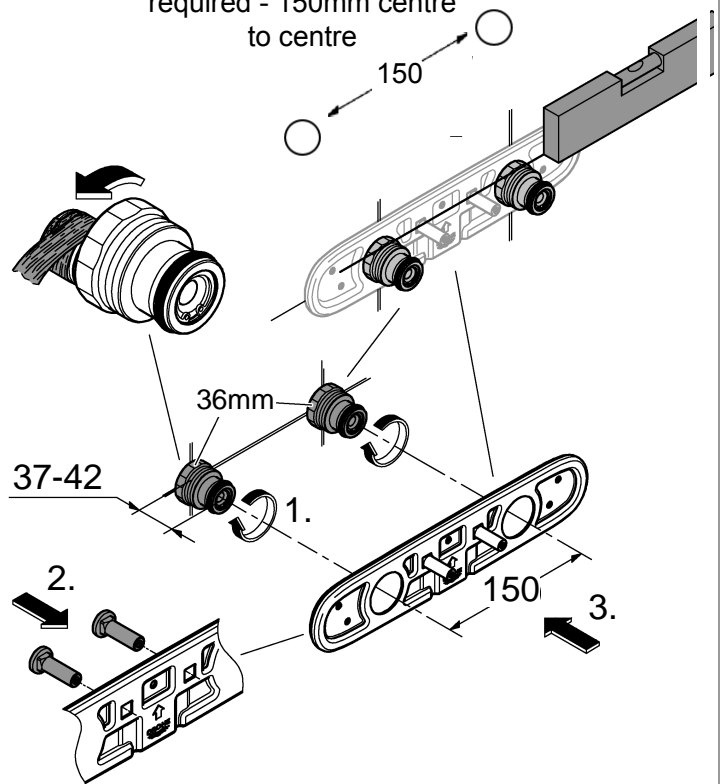


1

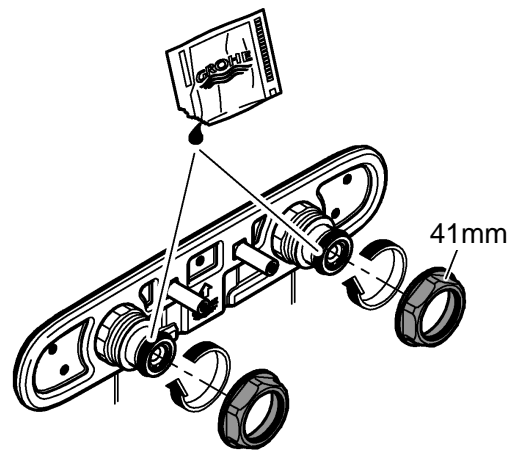


2

Female Lugged Elbows
required - 150mm centre
to centre

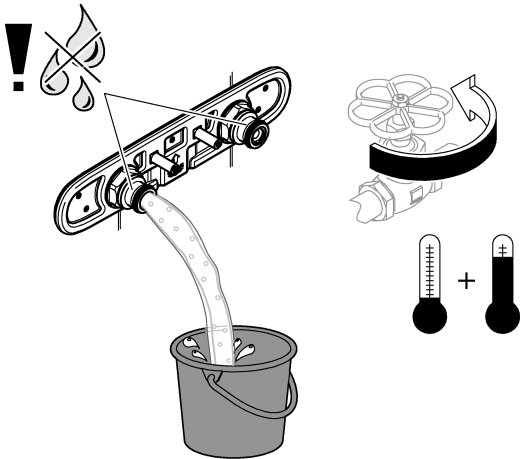


3

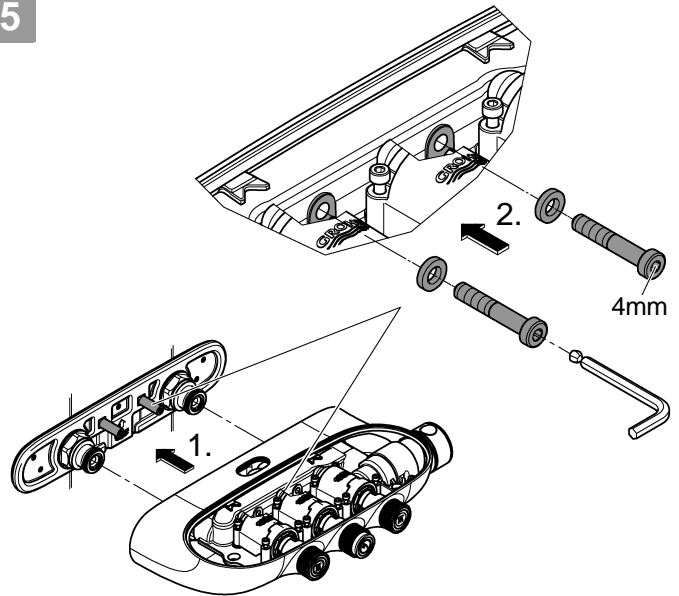




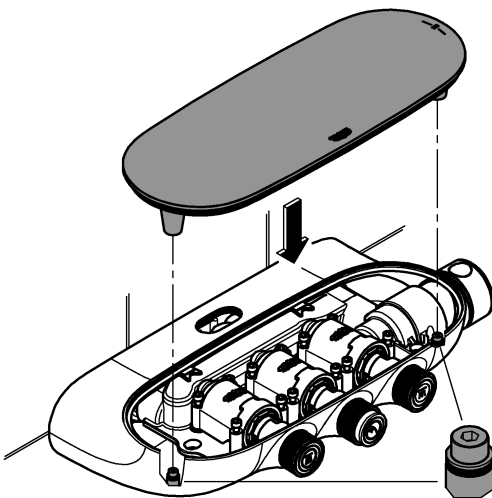
4



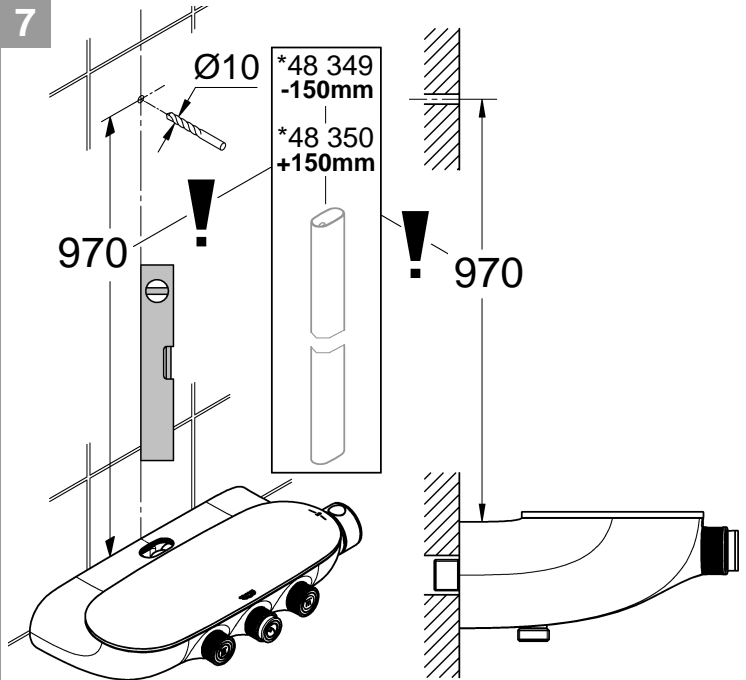
5



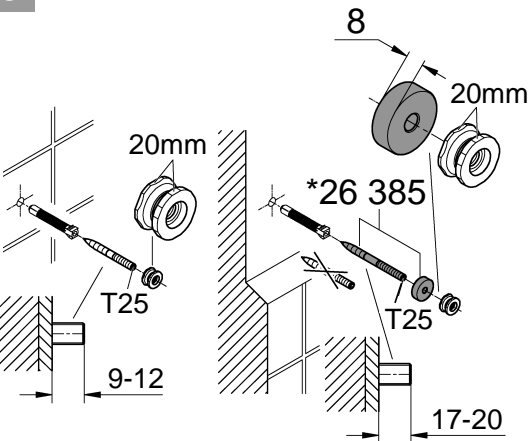
6



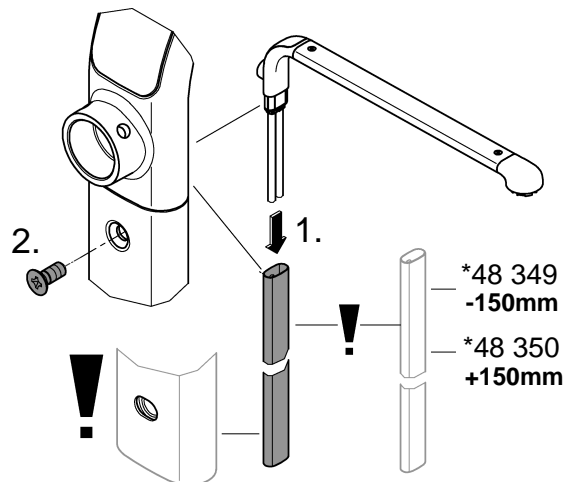
7



8

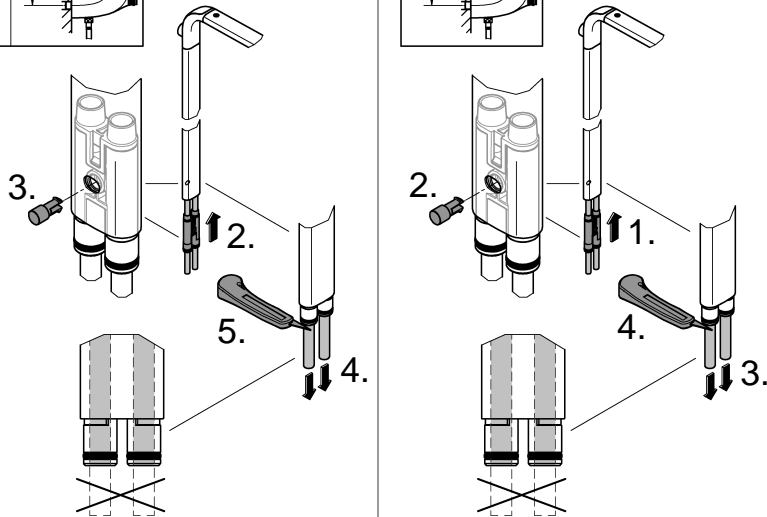
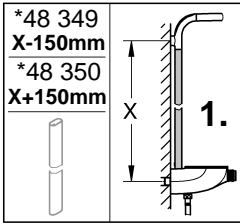


9

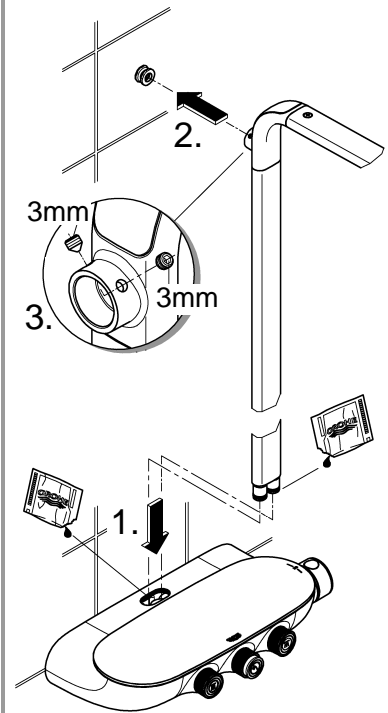




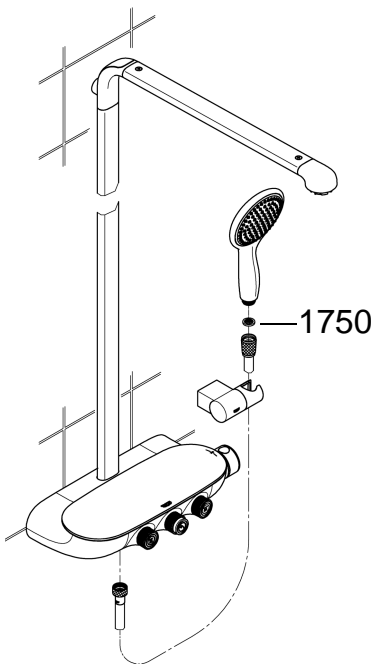
10



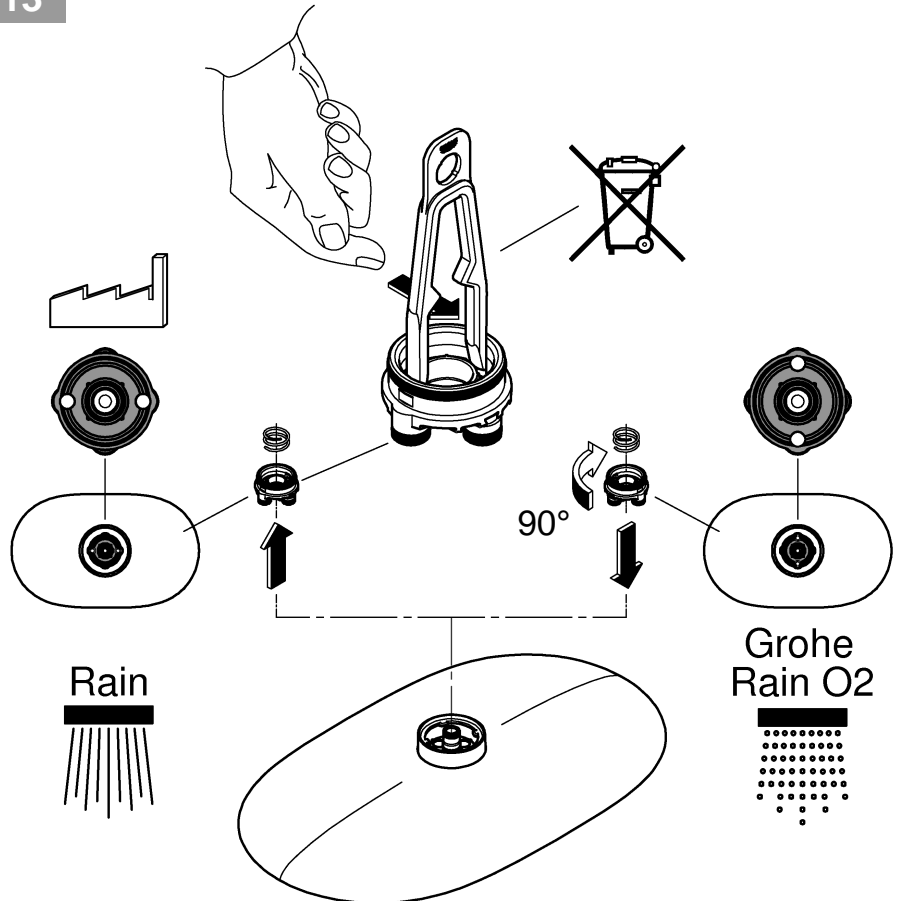
11



12

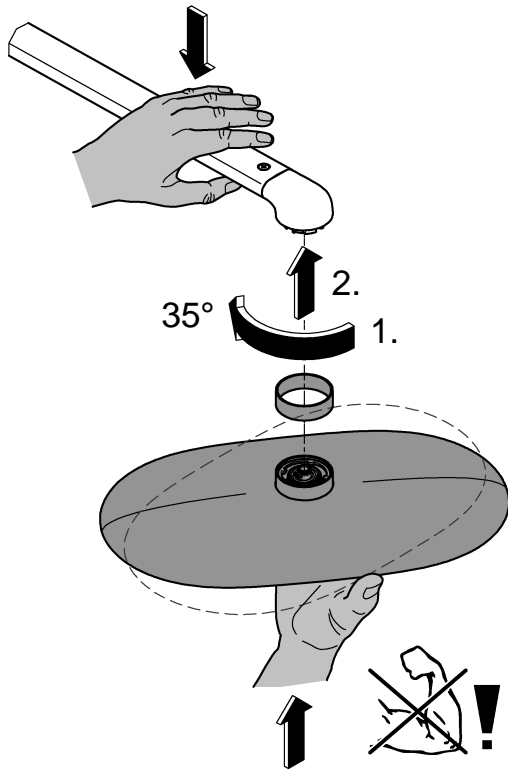


13

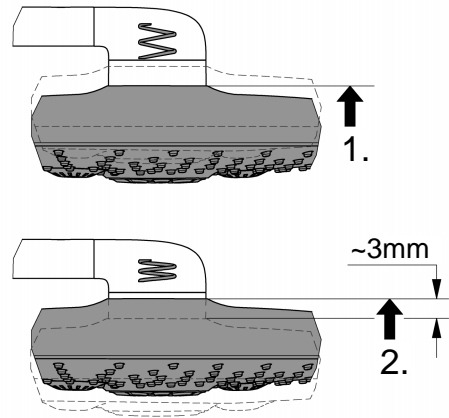




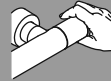
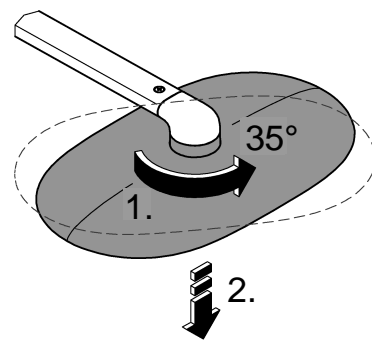
14a



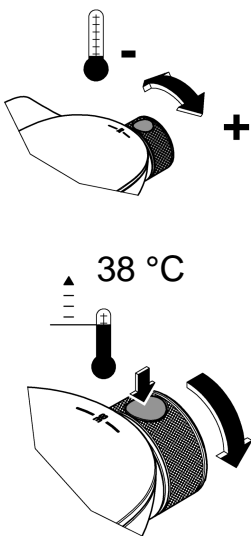
14b



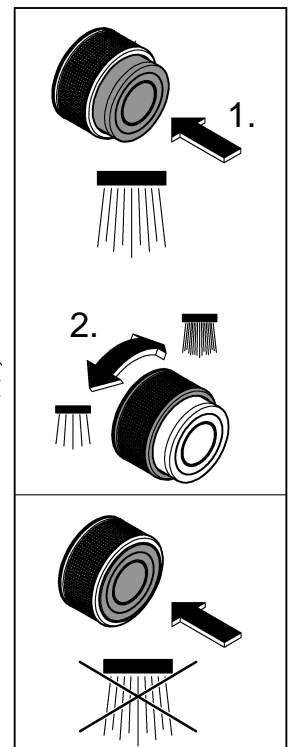
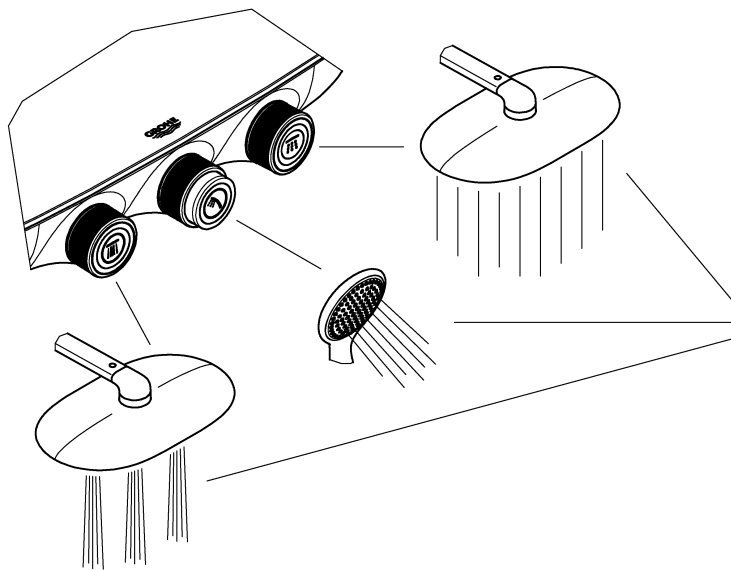
14c

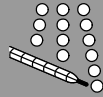


1

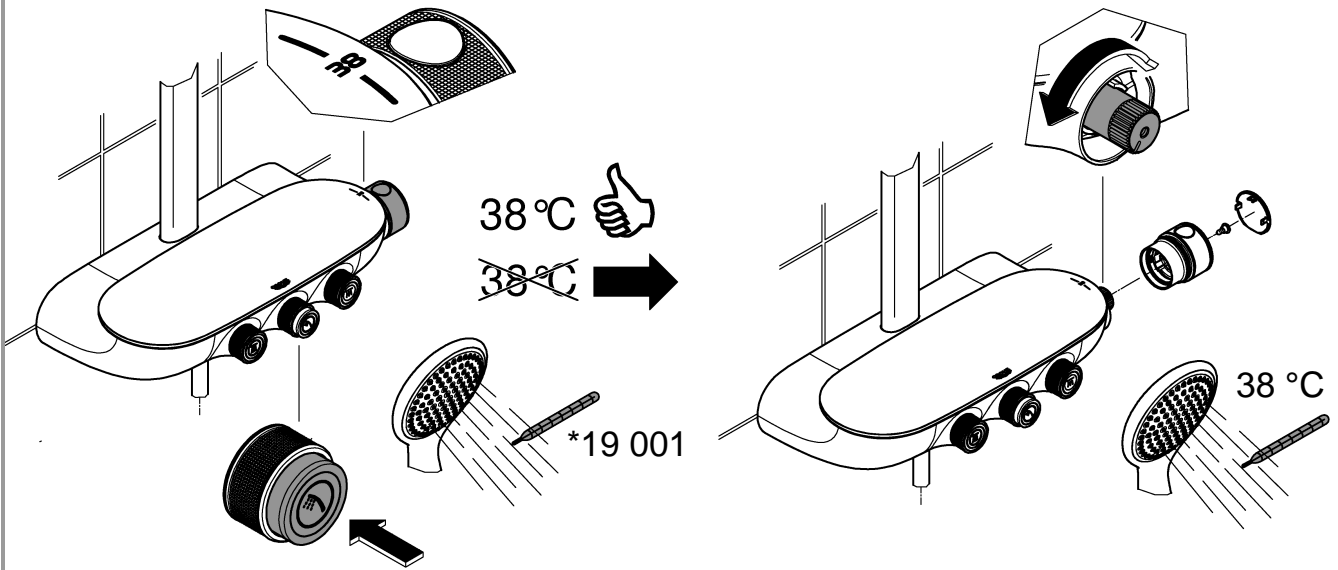


2

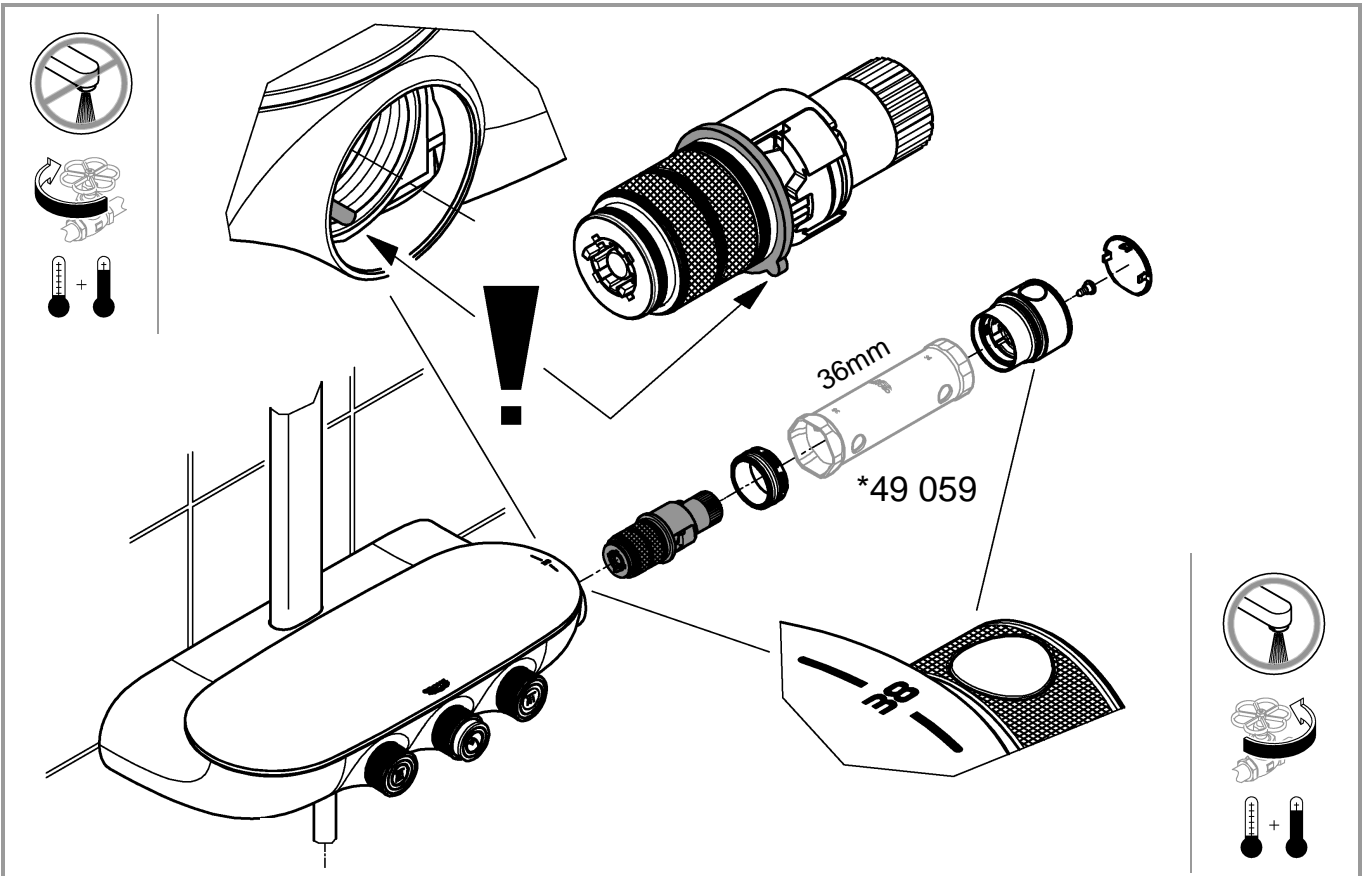




1

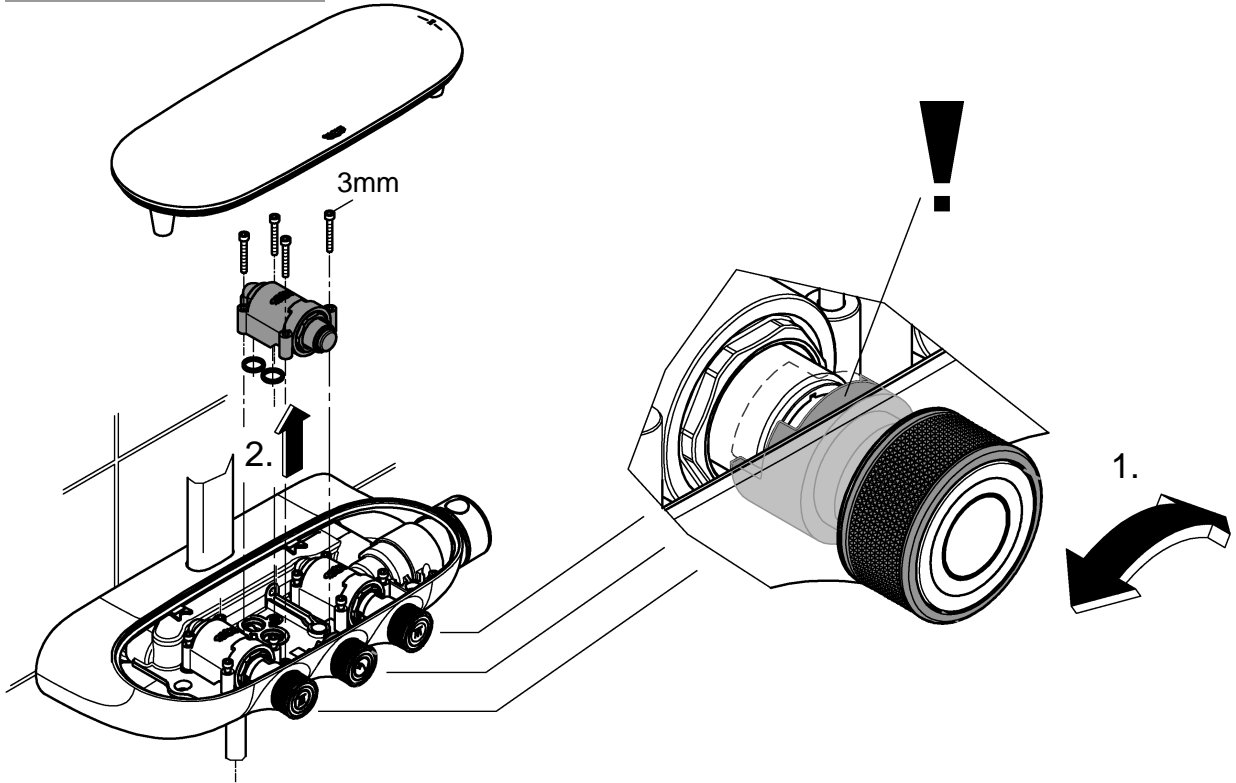
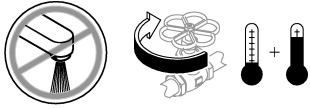


MAINTENANCE

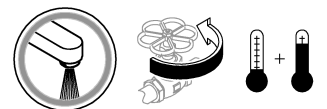
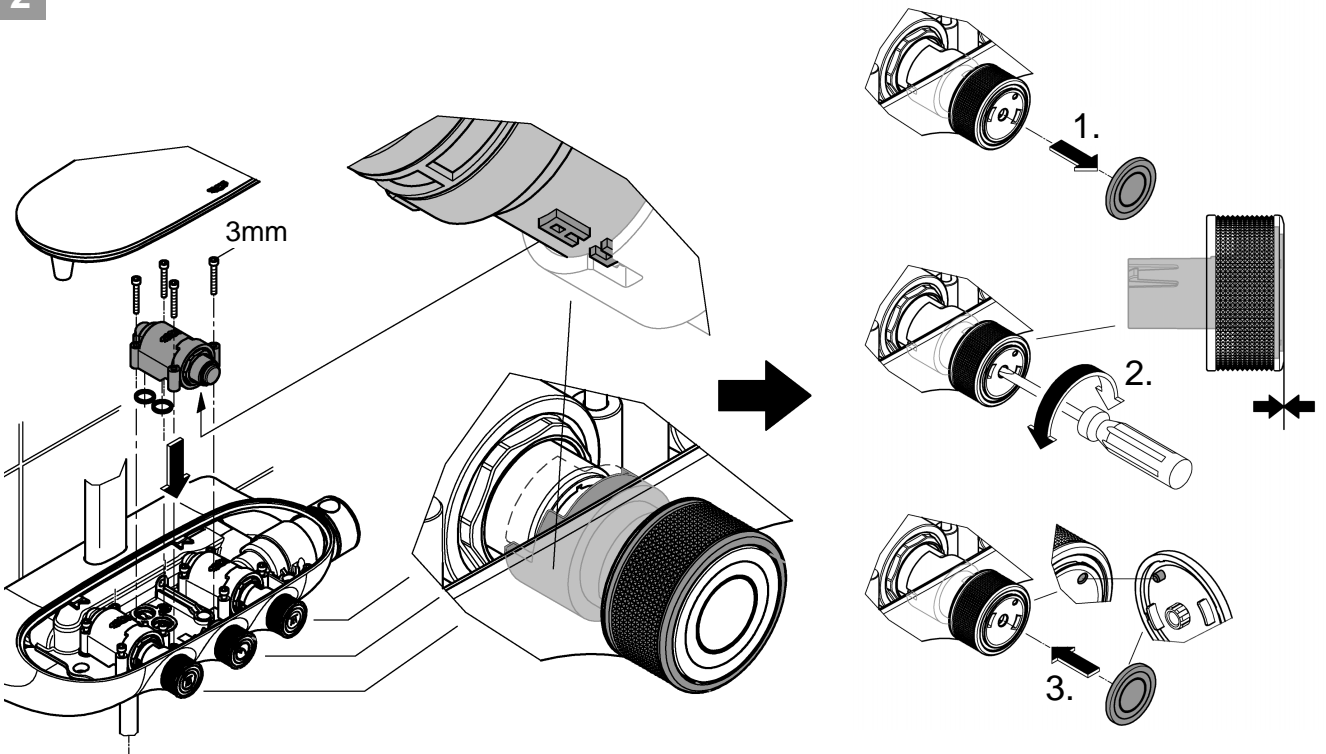




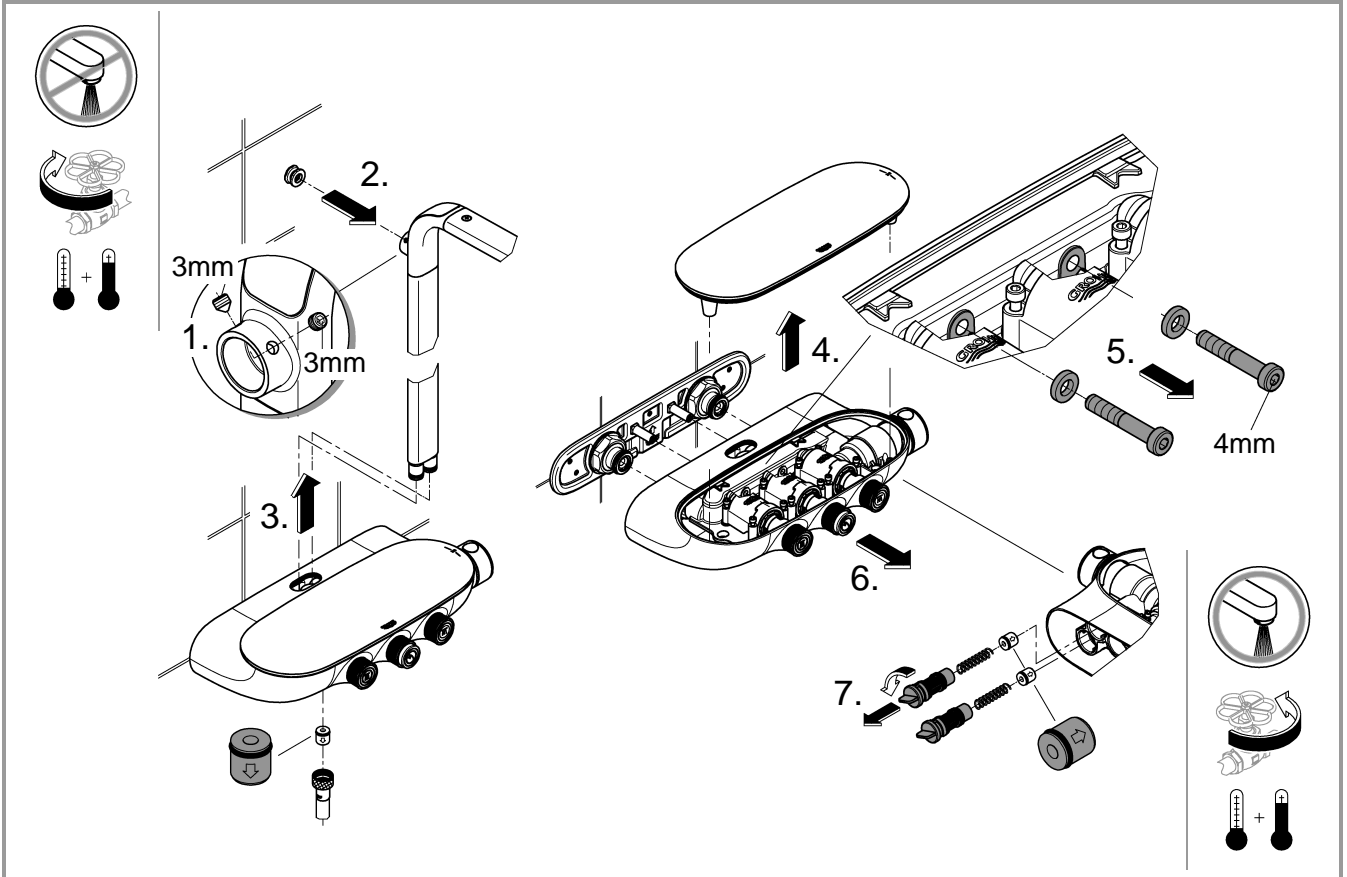
1



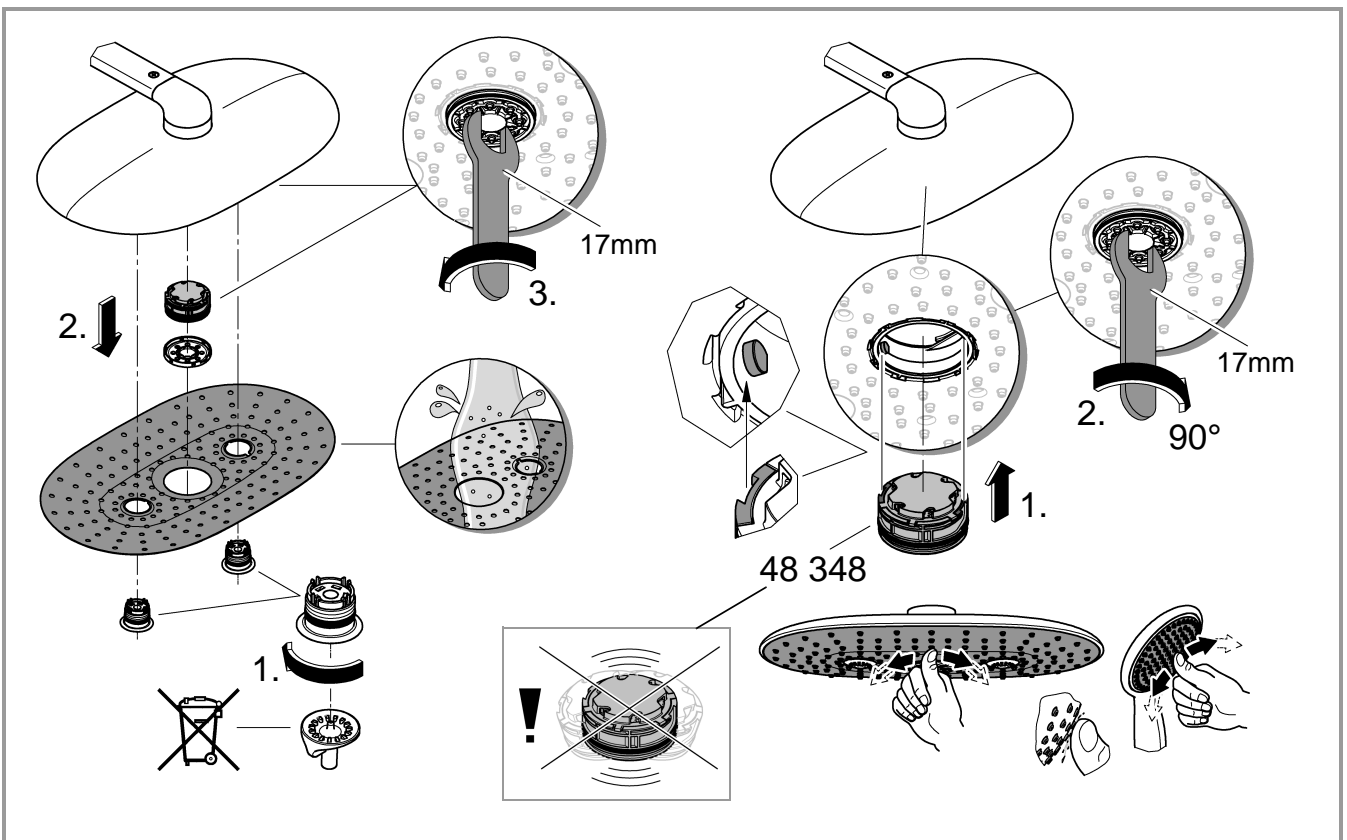
2



MAINTENANCE



MAINTENANCE



Safety notes



Protection against scalding

It is recommended that near points of discharge with particular sensitivity to the outlet temperature (hospitals, schools, nursing and retirement homes) thermostatic devices should be installed which can limit the water temperature to 43 °C. This product is limited at 43 °C. It is generally recommended that the temperature of shower-systems should not exceed 38 °C in nurseries and specific areas of care centres. Use Grohtherm Special thermostats with special handle to facilitate thermal disinfection and appropriate safety end stop. Applicable standards (e. g. EN 806-2) and technical regulations for drinking water must be observed.

Application

Thermostat mixers are designed for hot water supply via pressurised storage heaters and, utilised in this way, provide the best temperature accuracy. With sufficient power output (from 18 kW or 250 kcal/min), electric or gas instantaneous heaters are also suitable.

Thermostats **cannot** be used in conjunction with non-pressurised storage heaters (displacement water heaters). All thermostats are adjusted in the factory at a flow pressure of 300 kPa on both sides.

Should temperature deviations occur on account of special installation conditions, the thermostat must be adapted to local conditions (see Adjusting).

Specifications

- Flow pressure min. 50 kPa - recommended 100 - 500 kPa
- Operating pressure max. 1000 kPa
- Test pressure 1600 kPa

If static pressure is greater than 500 kPa, fit pressure reducer. Avoid major pressure differences between hot and cold water supply.

- Flow rate at 300 kPa flow pressure (cold water):
 - head shower approx. 11 L/min
 - hand shower approx. 8,5 L/min
- Flow rate at 300 kPa flow pressure (mixed water):
 - head shower approx. 14 L/min
 - hand shower approx. 9 L/min

This product is has been tested and certified in accordance AS 4032.4 Thermostatic Mixing Valve Standard, and the AS/NZS 3662 standard for shower products.

Note:

Due to different pressure and flow capabilities at some properties, the flow rate of this product may fluctuate between the hot and cold positions.

The maximum dynamic hot and cold flow ratio of this product is 1:5.

E.g. If the cold water pressure is 500 kPa, the hot water pressure must be no less than 100 kPa.

Temperature:	
Hot water inlet	(maximum) 70 °C
Recommended	(energy saving) 60 °C
Thermal disinfection possible	
Safety stop	38 °C
Hot water temperature at supply connection min. 2 °C higher than mixed water temperature	
Minimum flow rate	= 5 L/min



Installation

Flush piping system prior and after installation of fitting thoroughly (Consider EN 806)!

This product must be installed in conformance with local codes e.g. AS/NZS 3500 series of standard!

Installation of the shower rail

When installing e.g. on plasterboard walls (not solid walls) it must be assured that an appropriate reinforcement is in place to ensure sufficient strength.

Reversed connection (hot on right - cold on left).

Replace thermostatic compact cartridge, see Replacement parts, Prod. no.: 47 175 (1/2").



Operation

The safety stop limits the temperature range to 38 °C. The 38 °C limit can be overridden by pressing the button, see Fig. [1].

Shut-off valves, see Fig. [2].



Adjusting

Temperature adjustment

Prevention of frost damage

When the domestic water system is drained, thermostat mixers must be drained separately, since non-return valves are installed in the hot and cold water connections. For this purpose, the mixer must be removed from the wall.



Maintenance

Inspect and clean all parts, replace if necessary and lubricate with special valve grease.

Shut off the hot and cold water supply.



Thermostatic compact cartridge

Readjustment is necessary after every maintenance operation on the thermostatic compact cartridge (see Adjusting).



Shut-off valves

Readjustment is necessary after every maintenance operation on the shut-off valves, see Fig. [2].



Showers

The function of the SpeedClean nozzles is guaranteed for a period of five years.

Thanks to the SpeedClean nozzles, which must be regularly cleaned, limescale deposits on the rose can be removed by simply rubbing with the fingers.



Replacement parts

(* = special accessories).

Care

For directions on care, refer to the accompanying Care Instructions.

AUS

Reece Australia Pty Ltd
118 Burwood Hwy
Burwood VIC 3125

Tel.: +61 3 9274 0000

Email: admin@reece.com.au



NZ

Robertson
25 Vestey Drive
Mt Wellington, Auckland

Tel.: +64 9 5730490

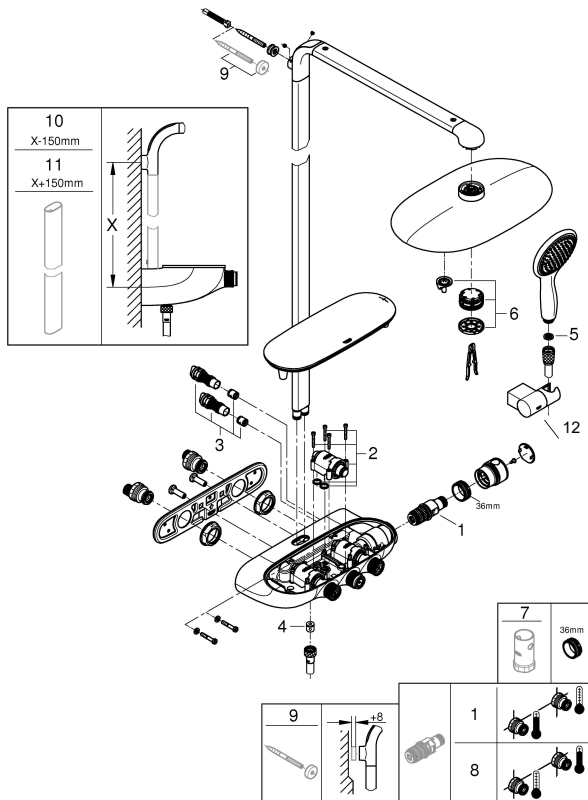
Email: sales@robertson.co.nz

**RAINSHOWER SYSTEM
SMARTCONTROL 360 DUO**
MODEL #26537000

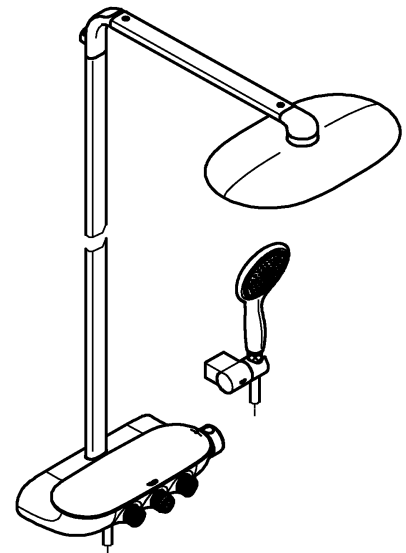
Pure Freude
an Wasser



Spare Parts

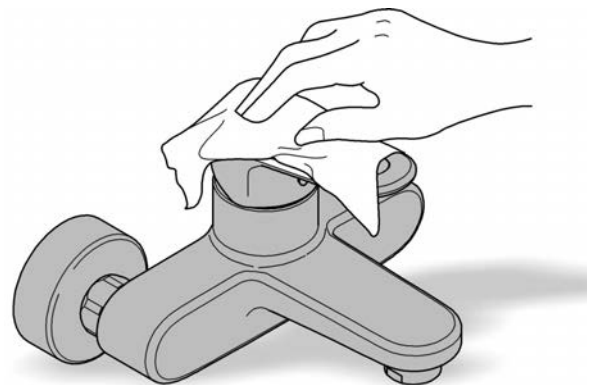
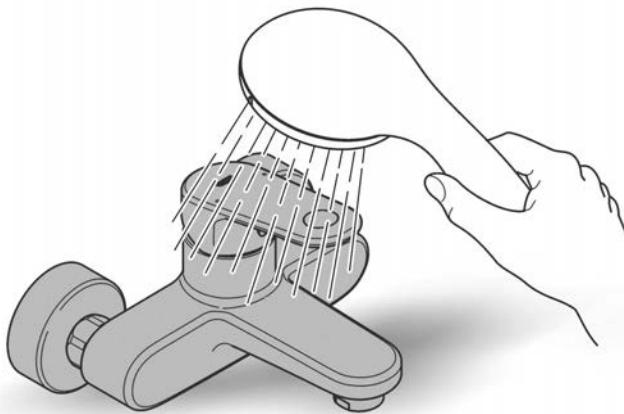
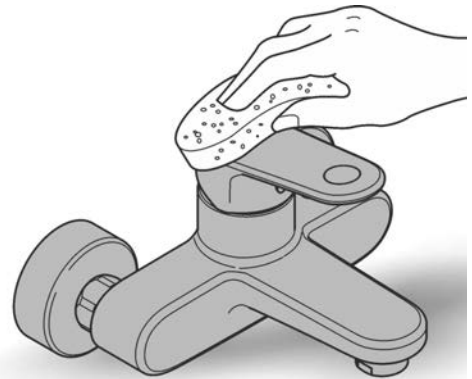


Pos.-nr.	Product Description	Order-nr.	Units per package
1	Thermostatic compact cartridge 1/2"	47439000	1
2	Cartridge	48297000	1
3	Non-return valve	4901000M	1
4	Non-return valve	08565000	1
5	Dirt strainer	0700200M	1
6	Spray face	48348000	1
7	Socket spanner - optional extra	19131000	1
8	Thermostatic compact cartridge 1/2" for changed waterways - Optional extra	47175000	1
9	Compensation disc - optional extra	26385000	1
10	Shower system pipe for retrofitting - optional extra	48349000	1
11	Shower system pip for retrofitting - optional extra	48350000	1
12	Shower holder	27055000	1





48166000



SpeedClean



Pure Freude
an Wasser

GROHE


D

+49 571 3989 333
impressum@grohe.de

A

+43 1 68060
info-at@grohe.com

AUS

+1300 054 945
grohe_australia@lixil.com

B

+32 16 230660
info.be@grohe.com

BG

+359 2 9719959
grohe-bulgaria@grohe.com

CAU

+99 412 497 09 74
info-az@grohe.com

CDN

+1 888 6447643
info@grohe.ca

CH

+41 448777300
info@grohe.ch

CN

+86 21 63758878

CY

+357 22 465200
info@grome.com

CZ

+420 277 004 190
grohe-cz@grohe.com

DK

+45 44 656800
grohe@grohe.dk

E

+34 93 3368850
grohe@grohe.es

EST

+372 6616354
grohe@grohe.ee

F

+33 1 49972900
marketing-fr@grohe.com

FIN

+358 10 8201100
teknocalor@teknocalor.fi

GB

+44 871 200 3414
info-uk@grohe.com

GR

+30 210 2712908
nsapountzis@ath.forthnet.gr

H

+36 1 2388045
info-hu@grohe.com

HK

+852 2969 7067
info@grohe.hk

I

+39 2 959401
info-it@grohe.com

IND

+91 124 4933000
customercare.in@grohe.com

IS

+354 515 4000
jonst@byko.is

J

+81 3 32989730
info@grohe.co.jp

KZ

+7 727 311 07 39
info-cac@grohe.com

LT

+372 6616354
grohe@grohe.ee

LV

+372 6616354
grohe@grohe.ee

MAL

+1 800 80 6570
info-singapore@grohe.com

N

+47 22 072070
grohe@grohe.no

NL

+31 79 3680133
vragen-nl@grohe.com

NZ

+64 9 573 0490
sales@robertson.co.nz

P

+351 234 529620
commercial-pt@grohe.com

PL

+48 22 5432640
biuro@grohe.com.pl

RI

+62 21 2358 4751
info-singapore@grohe.com

RO

+40 21 2125050
info-ro@grohe.com

ROK

+82 2 559 0790
info-singapore@grohe.com

RP

+63 2 8041617

RUS

+7 495 9819510
info@grohe.ru

S

+46 771 141314
grohe@grohe.se

SGP

+65 6 7385585
info-singapore@grohe.com

SK

+420 277 004 190
grohe-cz@grohe.com

T

+66 2610 3685
info-singapore@grohe.com

TR

+90 216 441 23 70
GroheTurkey@grome.com

UA

+38 44 5375273
info-ua@grohe.com

USA

+1 800 4447643
us-customerservice@grohe.com

VN

+84 8 5413 6840
info-singapore@grohe.com

AL **BIH** **HR** **KS**

ME **MK** **SLO** **SRB**

+385 1 2911470
adria-hr@grohe.com

**Eastern Mediterranean,
Middle East - Africa
Area Sales Office:**

+357 22 465200
info@grome.com

IR **OM** **UAE** **YEM**

+971 4 3318070
grohedubai@grome.com

Far East Area Sales Office:

+65 6311 3600
info@grohe.com.sg