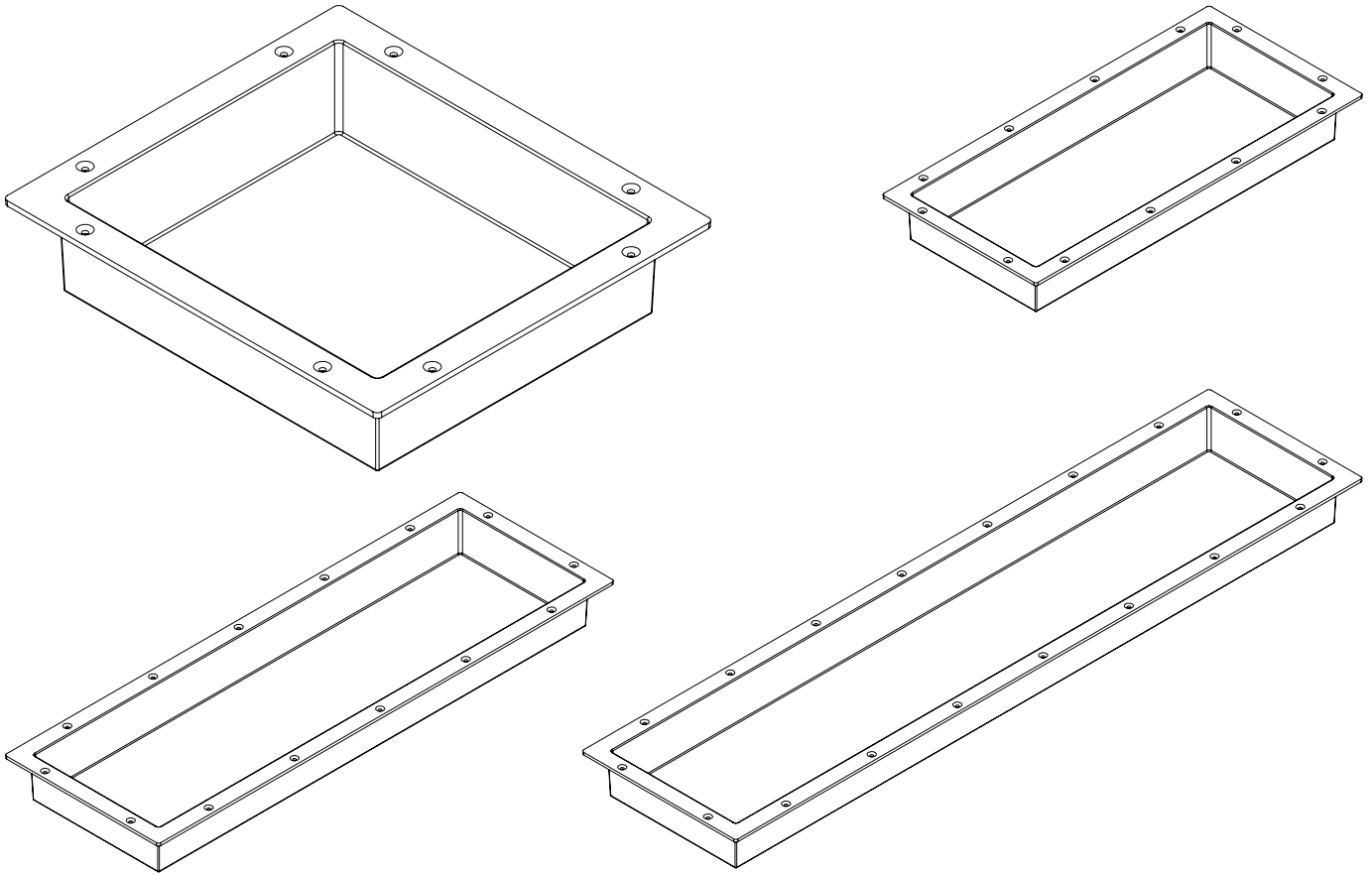


Posh Solus Shower Niche



Prior To Installation

- Please read these installation instructions carefully before proceeding and must be installed by a qualified tradesperson.
- Incorrect installation and failure to follow instructions will void the warranty.
- It is the installer's responsibility to check the niche for defects prior to installation. No claims will be accepted after installation.
- It is the installer's responsibility to ensure that the niche is installed in compliance with local and national building codes.
- It is the installers responsibility to ensure a water tight seal between the niche and surrounding structure.

Waterproofing

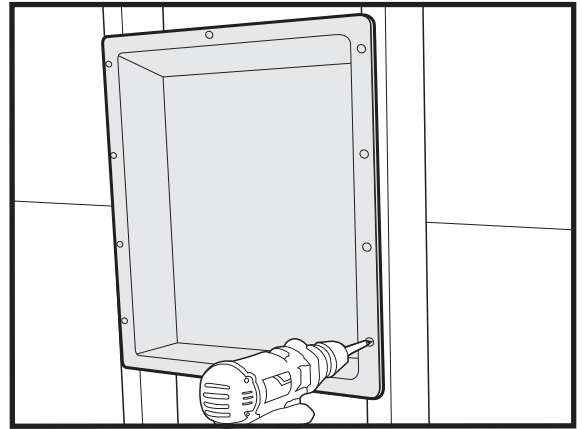
- Your niche is structural and waterproof however you will need to ensure the join from the lip of the niche to your plaster board is totally waterproof in accordance with local building codes.
- Please follow the recommended waterproofing instructions provided by waterproof manufacturers.



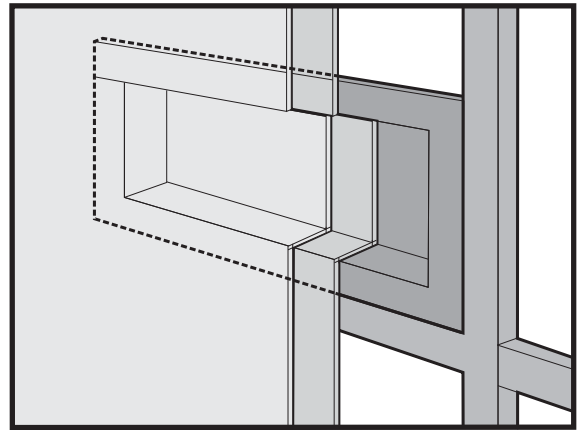
Your Niche is structural and waterproof, however you will need to ensure the join from the lip of the Niche to your plaster board is completely in accordance with local building codes. Please follow the recommended waterproofing instruction provided by waterproof manufacturers.

Installation

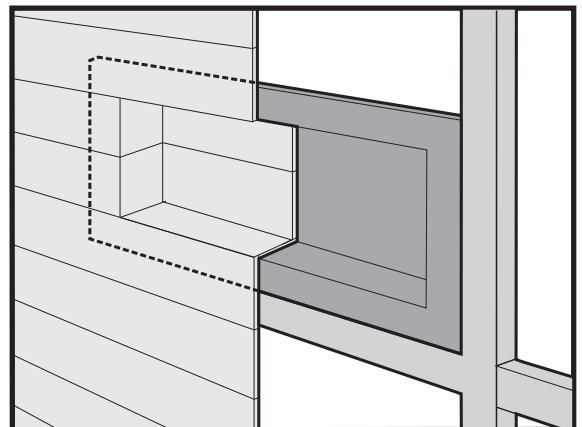
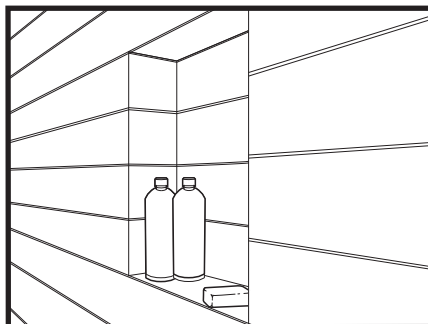
1. You are required to have supporting studs on both sides of the niche. A supporting noggin joined to your studs will need to be installed under the base of your niche to give additional support. Using the locator holes screw niche directly into studs ensuring it is level.



2. Once fastened to your frames with required support lay your plaster board around the niche to each lip. In accordance with local building codes, apply waterproof to the niche as required. Install tiles or other decorative materials like quality Polymer panels.



3. Install tiles or other decorative materials like quality Polymer panels.



Plumbers, please ensure a copy of the installation instruction is left with the end user for future reference.