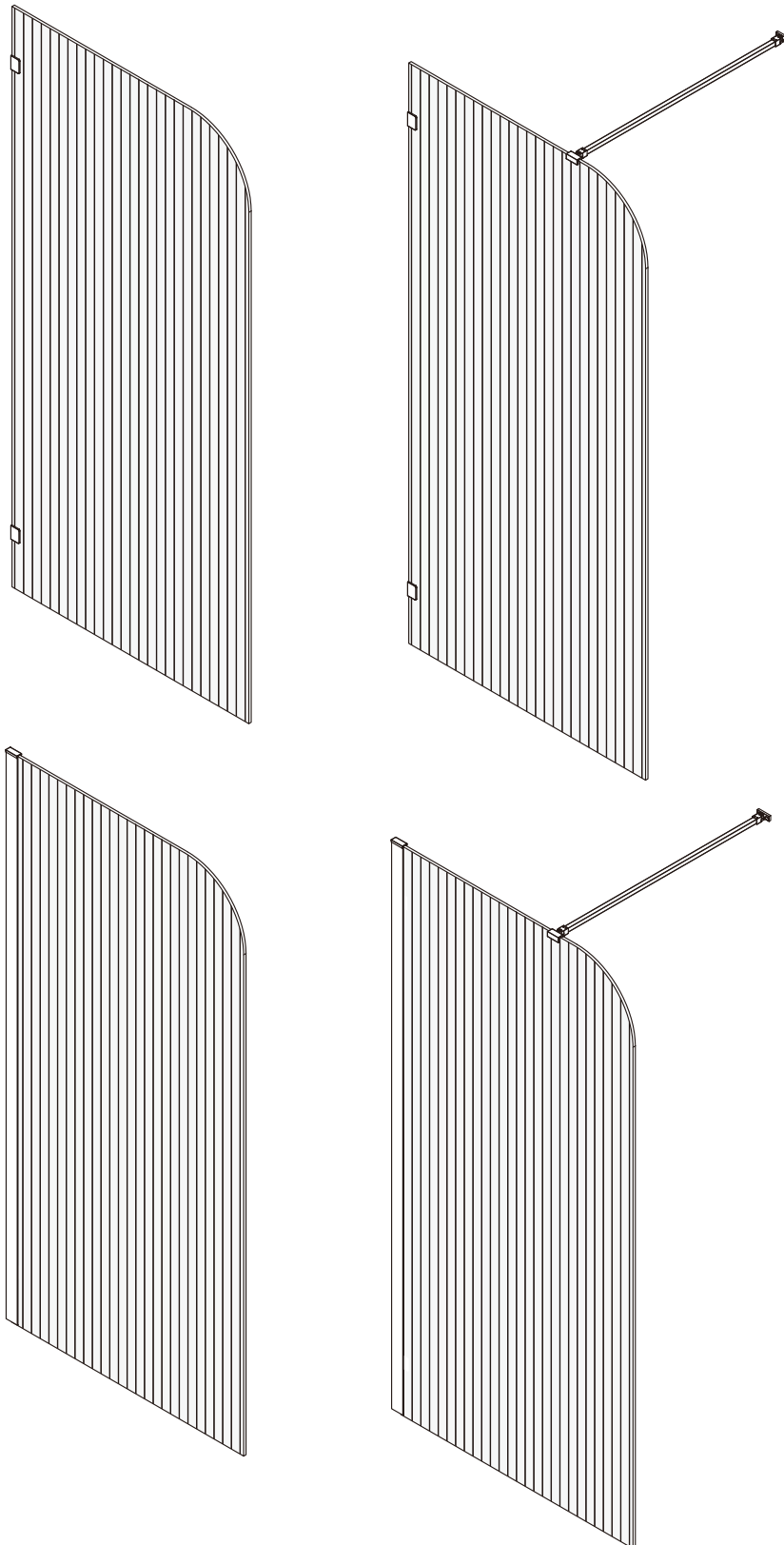


# KADO

## Kado Lux Frameless Curved Fluted Shower Panel 900mm, 1000mm, 1200mm



## Important - Pre-Installation Instructions

- Please read this entire instruction book before commencing installation.
- A licensed tradesman must be used for the installation.
- Instructions to install a Shower Base with this Screen/Panel are included with the Base.
- These Shower Screens/Panels can also be installed directly onto a tiled floor.
- Ensure there is a gasket between all glass and metal components.
- Leave the plastic protectors on the glass corners until the last possible moment and handle with care.
- In cold climates, warming the gaskets and seals with hot water or a hairdryer will assist installation.

## Tools Required

- Use the correct type of drill bit for the material being drilled, with 6mm required for anchor fixing and 3mm used for screwing directly into the wall studs.
- As with all toughened glass, take care while handling and wear safety goggles and gloves for personal protection.
- Use of a non-acidic silicone is recommended.



Silicone Sealant



Drill



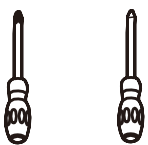
Level



Rubber Mallet



Pencil



Phillips Screwdriver



Tape Measure



Cutting Pliers



Utility Knife



6mm (1/4") and  
3mm (1/8") Drill Bits

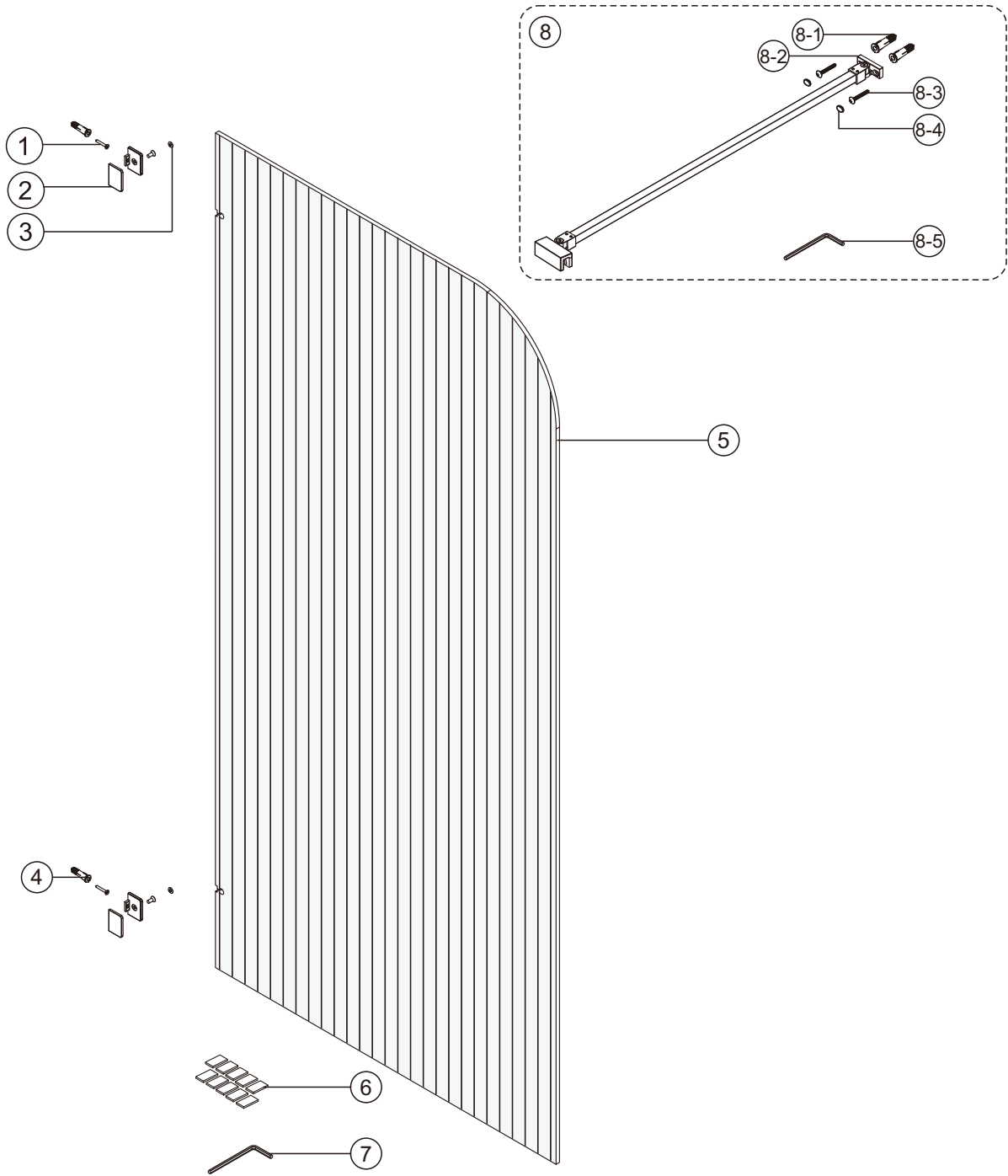


Safety Goggles



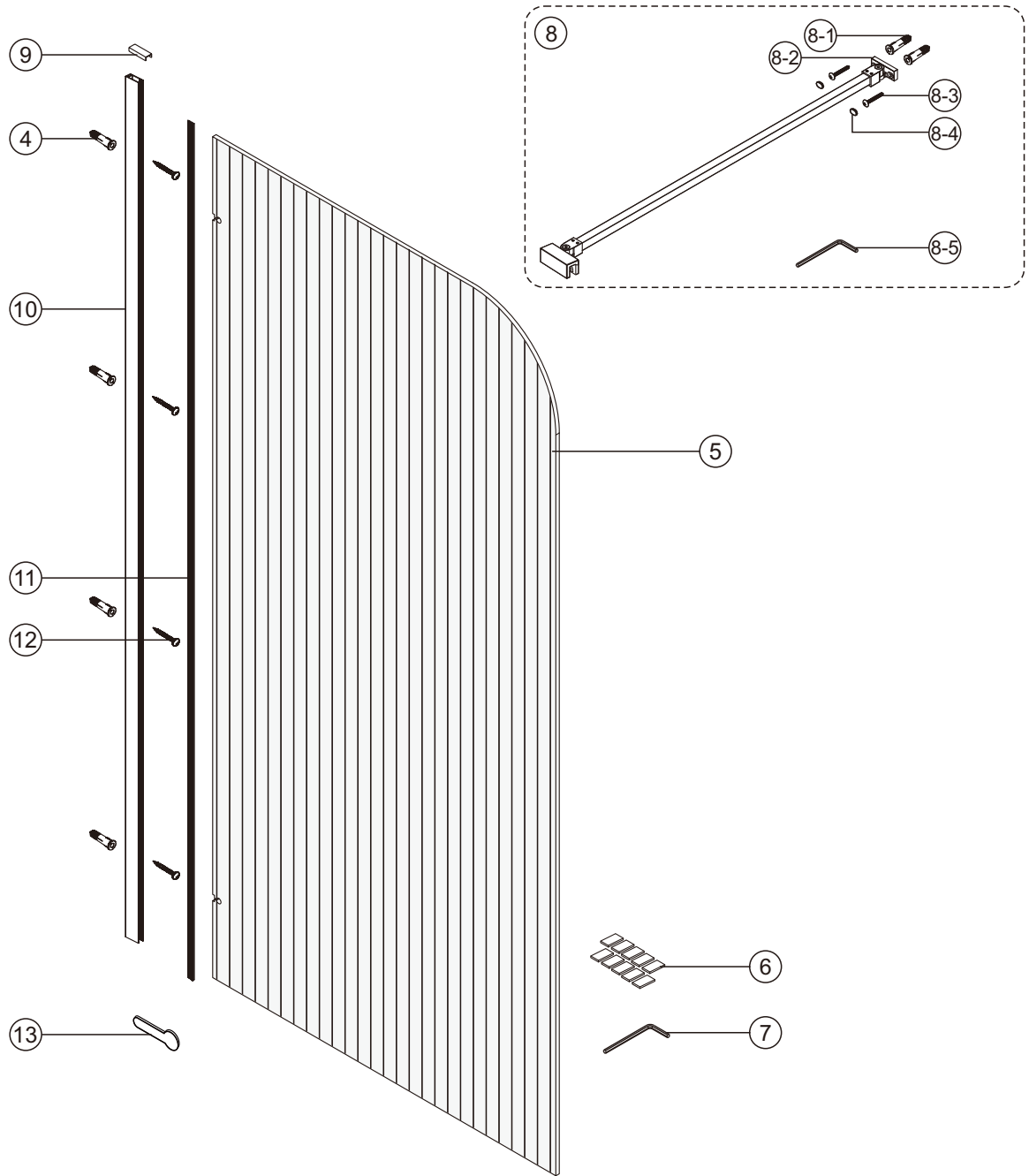
Gloves



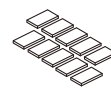


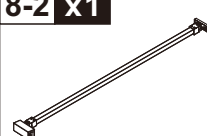



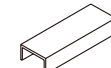
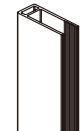



# Parts List of Panel



<b>1 x2</b>	<b>2 x2</b>	<b>3 x2</b>	<b>4 x2</b>	<b>5 x1</b>	<b>6 x10</b>
<b>7 x1</b>	<b>8-1 x2</b>	<b>8-2 x1</b>	<b>8-3 x2</b>	<b>8-4 x2</b>	<b>8-5 x1</b>

# Parts List of Panel

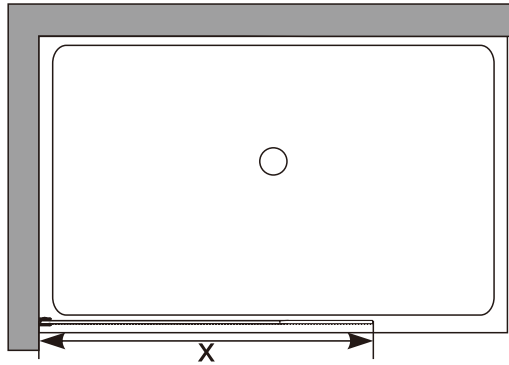
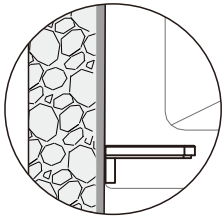


<b>4 x4</b> 	<b>5 x1</b> 	<b>6 x10</b> 	<b>7 x1</b> 	<b>8-1 x2</b> 
<b>8-2 x1</b> 	<b>8-3 x2</b> 	<b>8-4 x2</b> 	<b>8-5 x1</b> 	<b>9 x1</b> 
<b>10 x1</b> 	<b>11 x1</b> 	<b>12 x4</b> 	<b>13 x1</b> 	

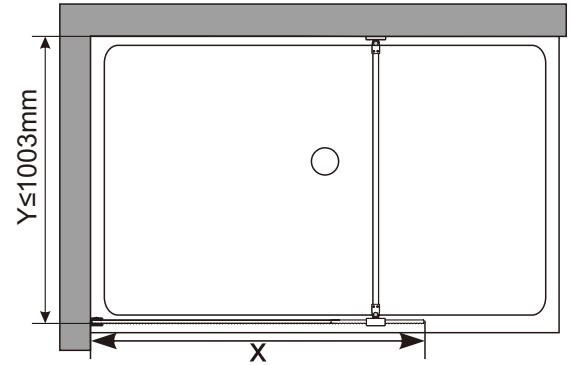
## Determining Wall Clip Location

When commencing step 1 on the following page, please refer to this drawing and the tabulated dimensions for your size of system to assist in the correct location of the wall clips.

### RIGHT

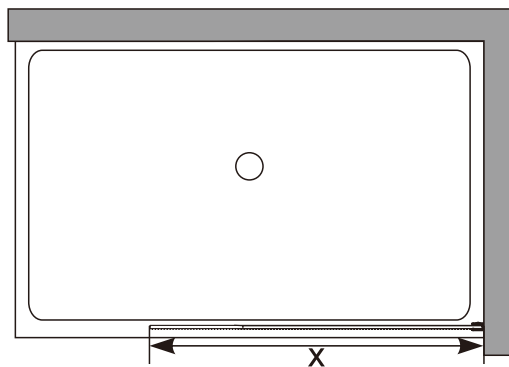
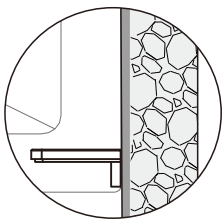


Size	X,mm
900	900mm
1000	1000mm

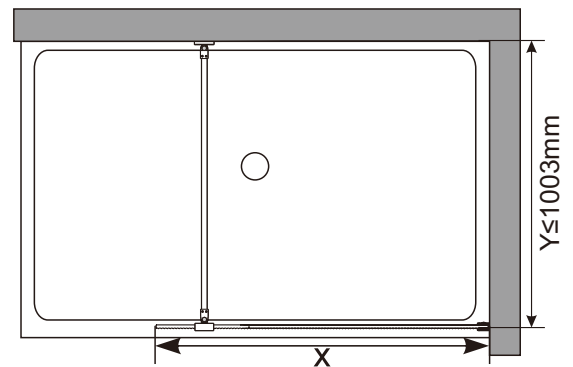


Size	X,mm
1200	1200mm

### LEFT



Size	X,mm
900	900mm
1000	1000mm

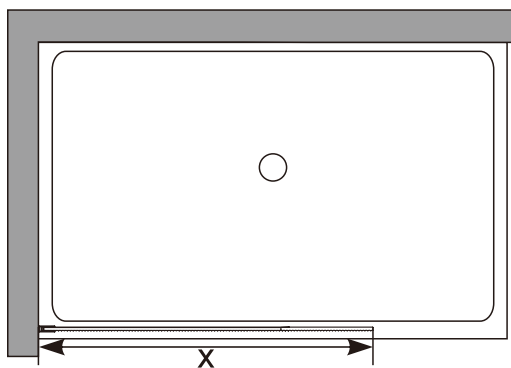
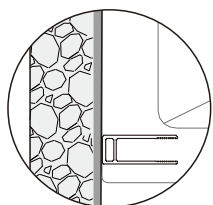


Size	X,mm
1200	1200mm

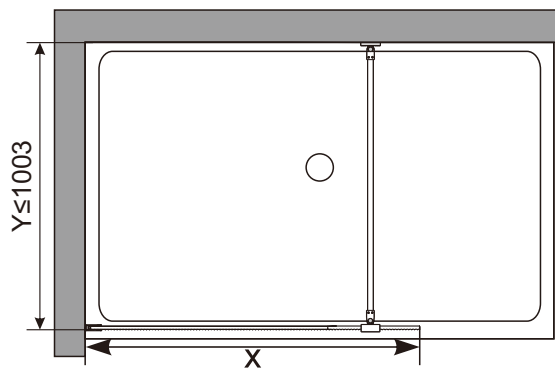
## Determining Wall Channel Location

When commencing step 1 on the following page, please refer to this drawing and the tabulated dimensions for your size of system to assist in the correct location of the wall channels.

### RIGHT

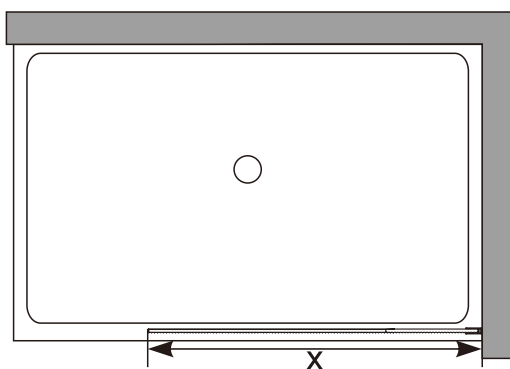
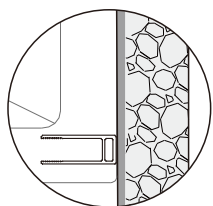


Size	X,mm
900	906~921mm
1000	1006~1021mm

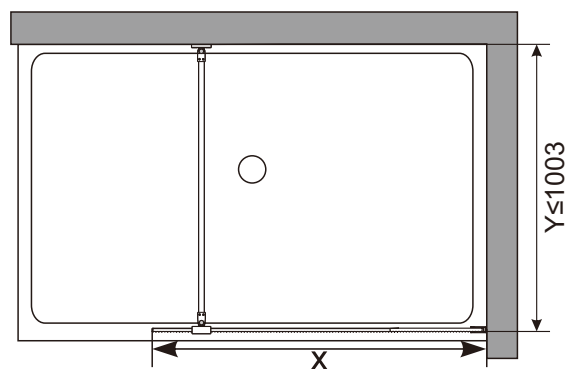


Size	X,mm
1200	1206~1221mm

### LEFT

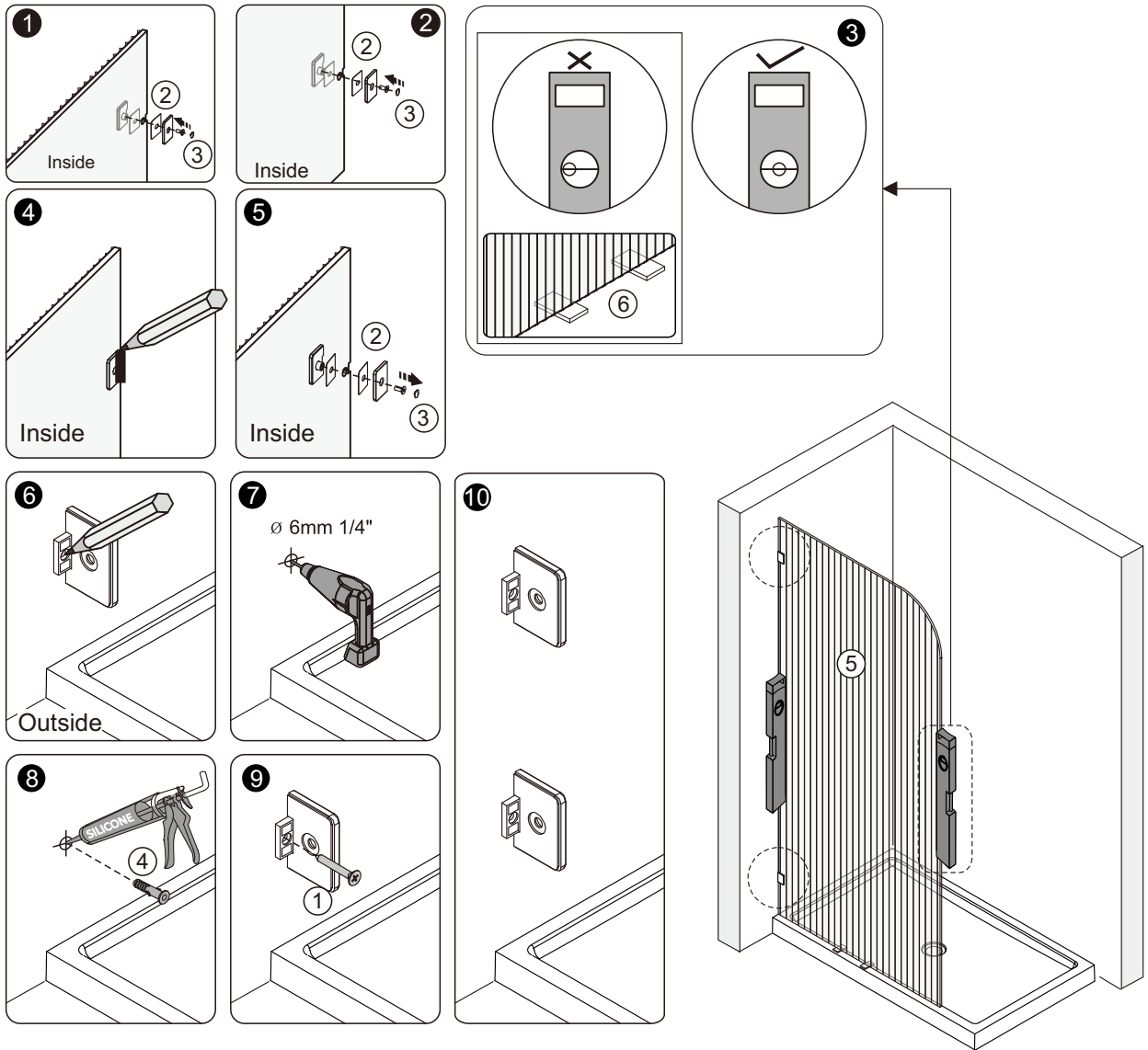


Size	X,mm
900	906~921mm
1000	1006~1021mm

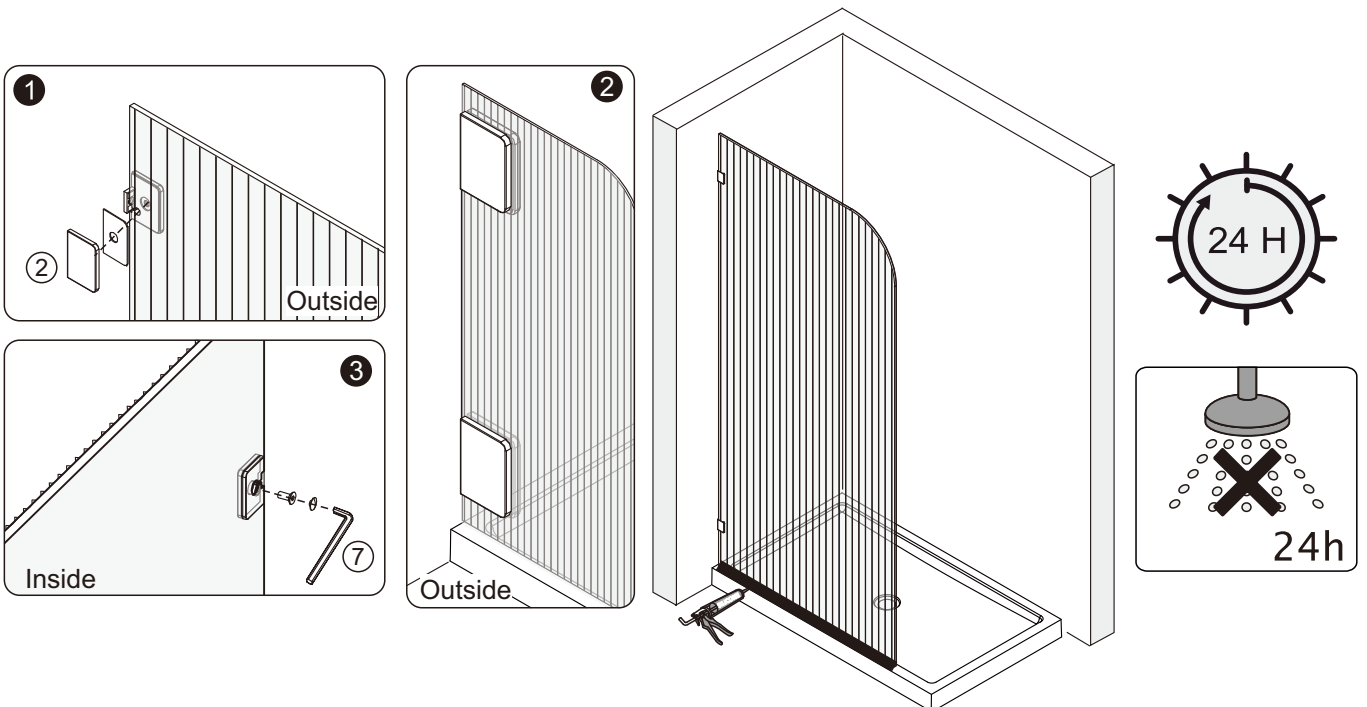


Size	X,mm
1200	1206~1221mm

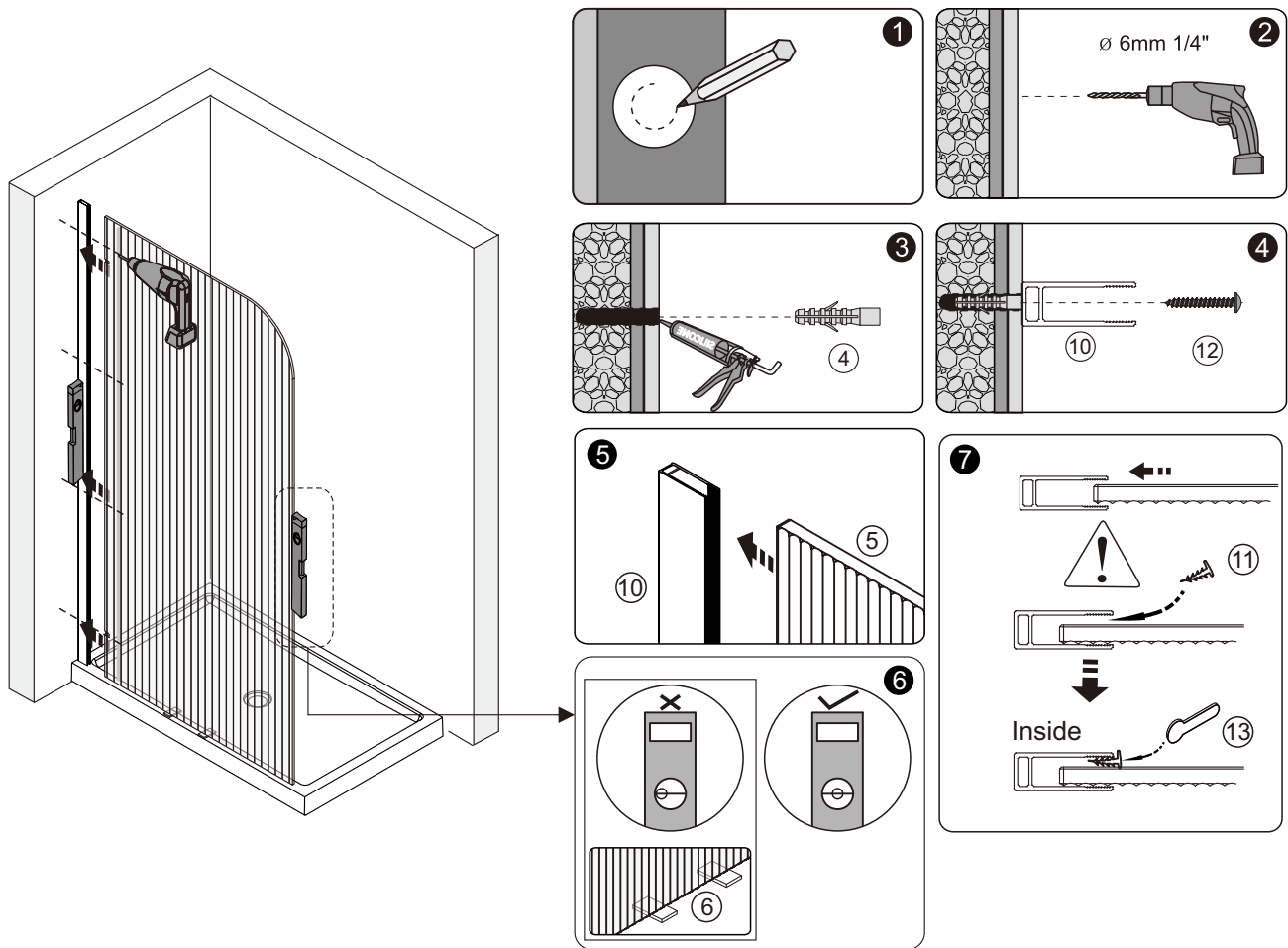
# A-1



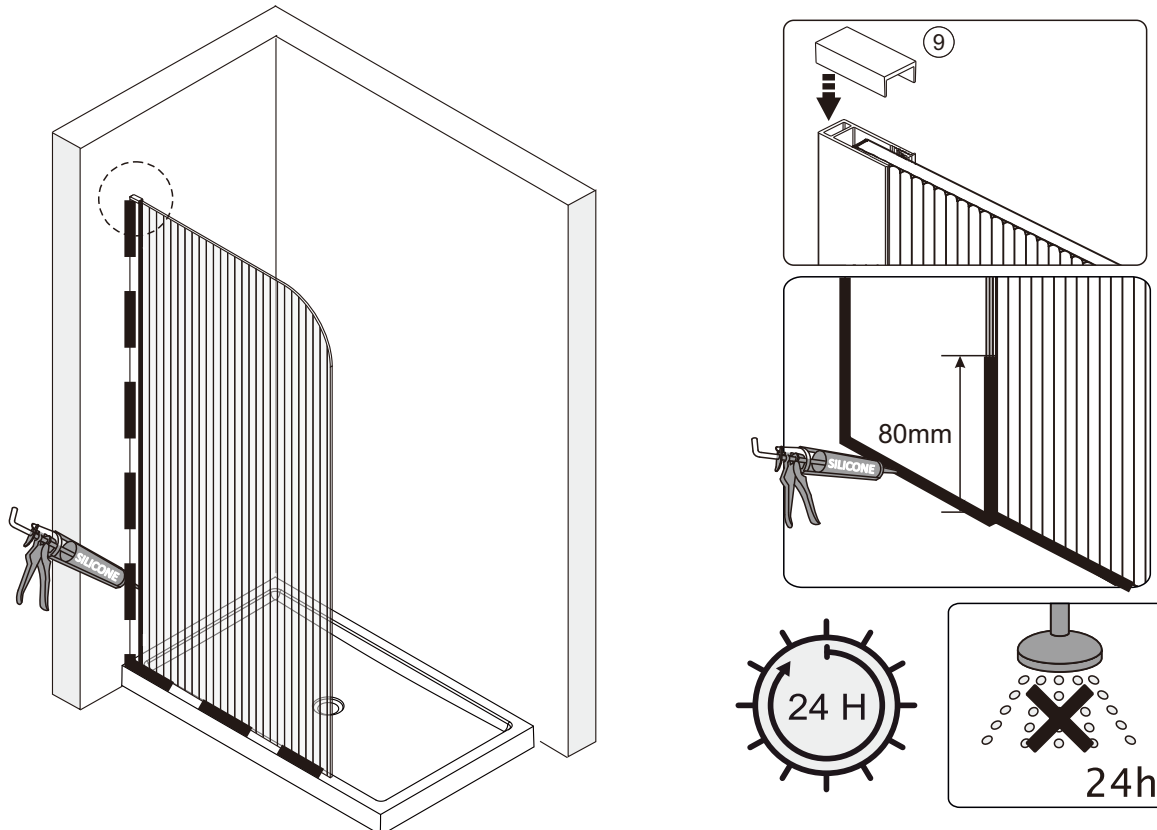
# A-2



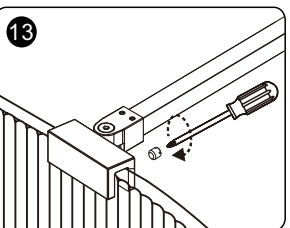
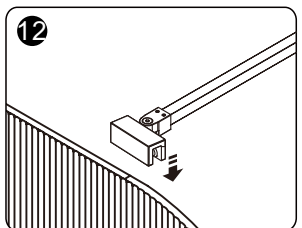
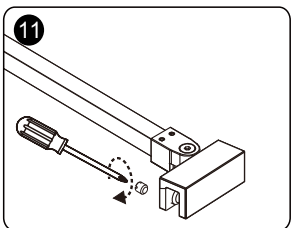
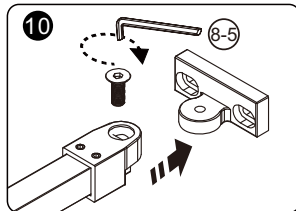
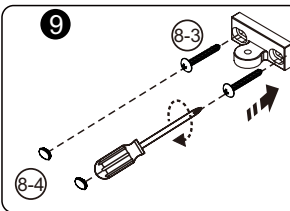
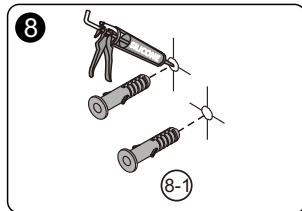
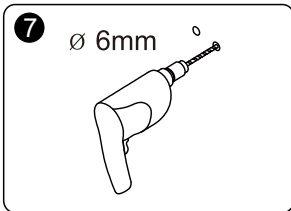
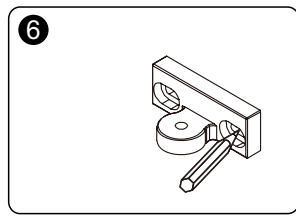
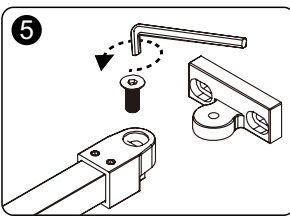
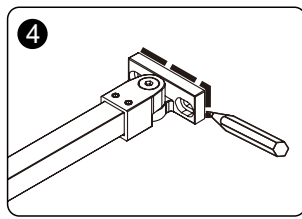
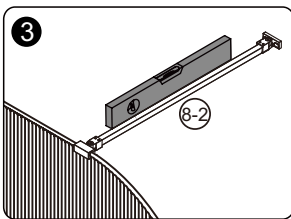
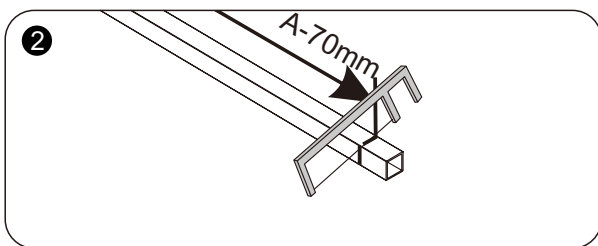
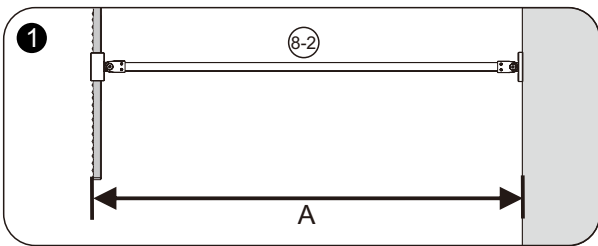
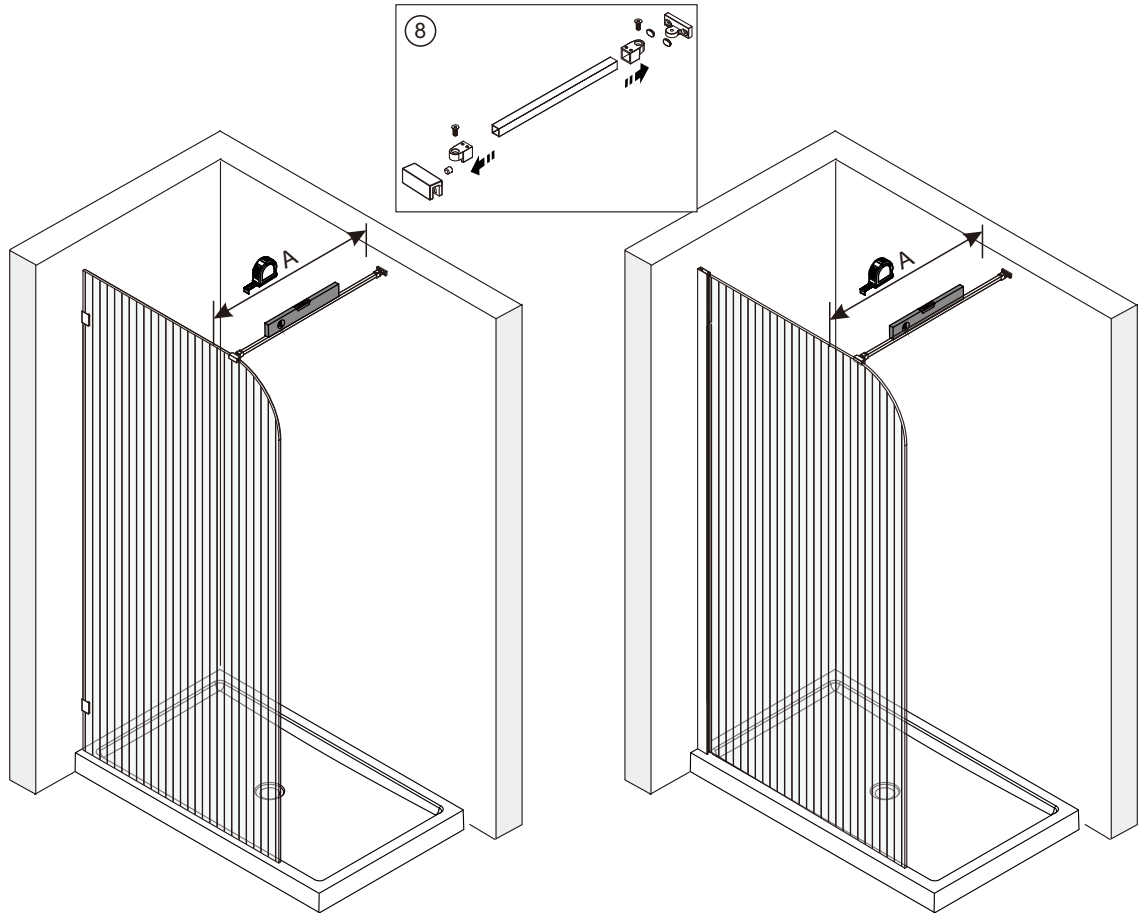
# B-1



# B-2







# KADO

## Kado Lux Frameless Curved Fluted Shower Panel 900mm, 1000mm, 1200mm

### Care Details

We recommend the use of soapy water or approved cleaners. This product should not be cleaned with abrasive materials. Damage caused by any improper treatment is not covered by the product warranty. Refer to Warranty Conditions

**Plumbers, please ensure a copy of the installation instruction is left with the end user for future reference.**

