

NOBILIS®

Nobili Oz T7 L Shaped Sink Mixer (4 Star)

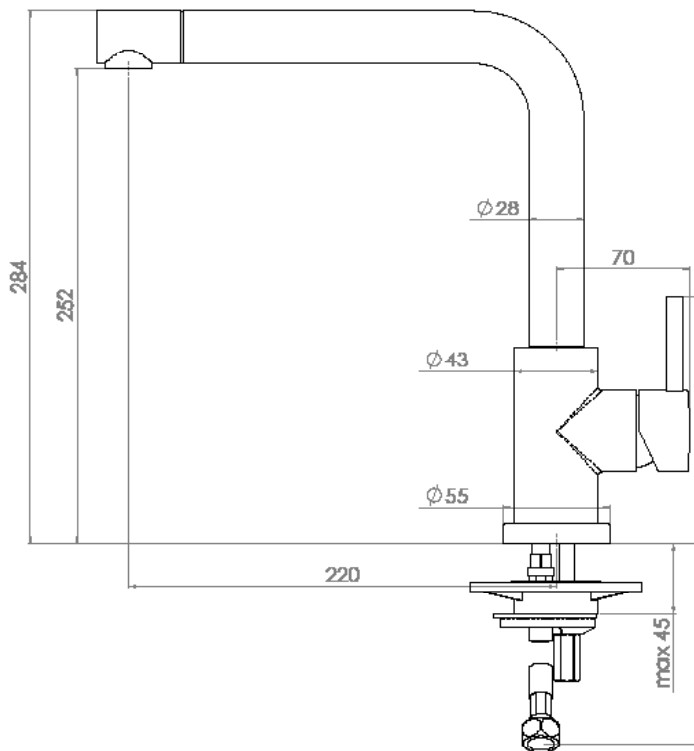
SPECIFICATIONS

Recommended Use	Domestic, hotel and commercial
Colour Availability	Chrome
Material	DR Brass
Cartridge Type	Ceramic Disc
Recommended Pressure Range	150 - 500 kPa
Max Continuous Working Pressure	1000 kPa
Max Continuous Working Temperature	80 deg C
Suitable for Storage Tank Hot Water	Yes
Suitable for Continuous Flow Hot Water	Yes
Suitable for Gravity Feed Hot Water	No

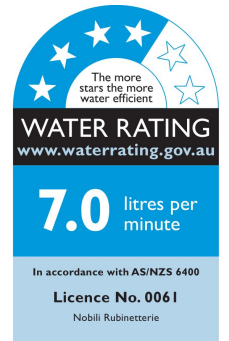
WARRANTY

Warranty - Domestic Use	15 Years
Spare Parts & Labour	12 Months

Please refer to Warranty Page for full Terms and Conditions



Dimensions are nominal measurements only.



Disclaimer: Products in this specification manual must by regulation be installed by licensed and registered trade people. The manufacturer/distributor reserves the right to vary specifications or delete models from their range without prior notification. Dimensions are nominal measurements only. Dimensions and set-outs listed are correct at time of publication however the manufacturer/distributor takes no responsibility for printing errors.

Published 03/03/2021

