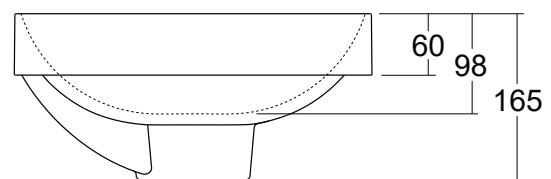
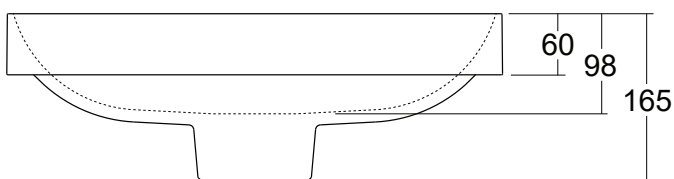
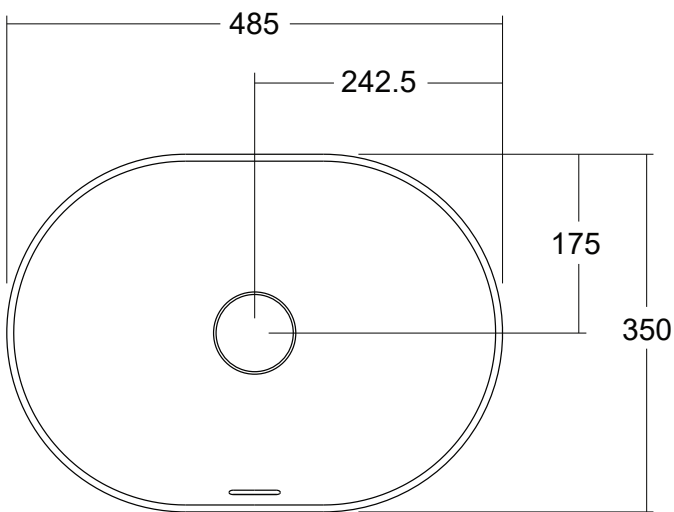
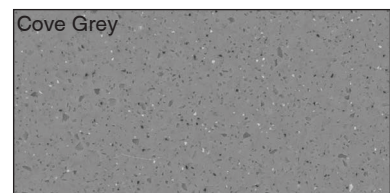


Villa 485 Thin Edge Semi-Inset Basin Solid Surface

SPECIFICATIONS	
Recommended Use	Domestic, Hotel & Commercial
Material	Solid Surface
Finish	Matte
Colour	White Haven, Island Sand, or Cove Grey
Basin Type	Semi-inset
Capacity	5 litres
Weight	7 kg
Overflow	Yes
Plug & Waste	Supplied with 32-40mm pop-up waste with matching solid surface waste plug
Taphole	No taphole
Fixing	Silicone to benchtop
WARRANTY	
Domestic Use	10 Years
<i>Please refer to Warranty Page for full Terms and Conditions</i>	



Dimensions are nominal measurements only.

Disclaimer: Products in this specification manual must by regulation be installed by licensed and registered trade people. The manufacturer/distributor reserves the right to vary specifications or delete models from their range without prior notification. Dimensions are nominal measurements only. Dimensions and set-outs listed are correct at time of publication however the manufacturer/distributor takes no responsibility for printing errors.

Published 09/09/2025

