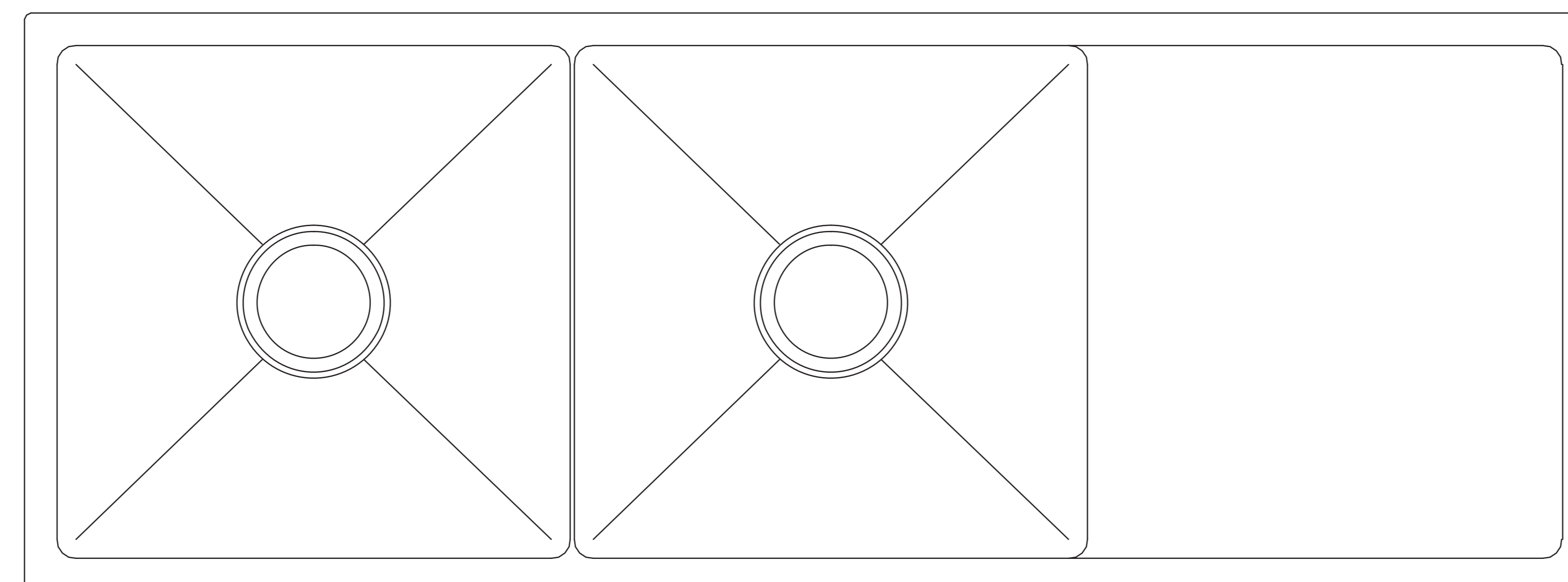


R15

### Memo Zenna Sink Cutout Template

Memo Zenna Double Bowl Sink No Taphole with Reversible Drainer Stainless Steel  
Reece Code: 2403111



Use inner line for undermount installation  
Use outer line for inset installation

Please note that the cutout template is provided as a guide only.  
This cutout template should be checked against the actual sink  
to determine correct fit.

Scale 1:1 at B0

**memo**

400 429

1173

1197