

EUROSMART NEW
BASIN MIXER M SIZE
MODEL #23994003

Pure Freude
an Wasser



Product Specifications



Product Description:

Eurosmart
Single-Lever S size Basin Mixer

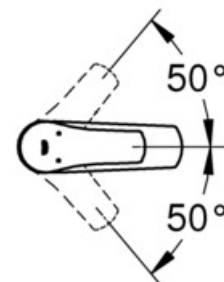
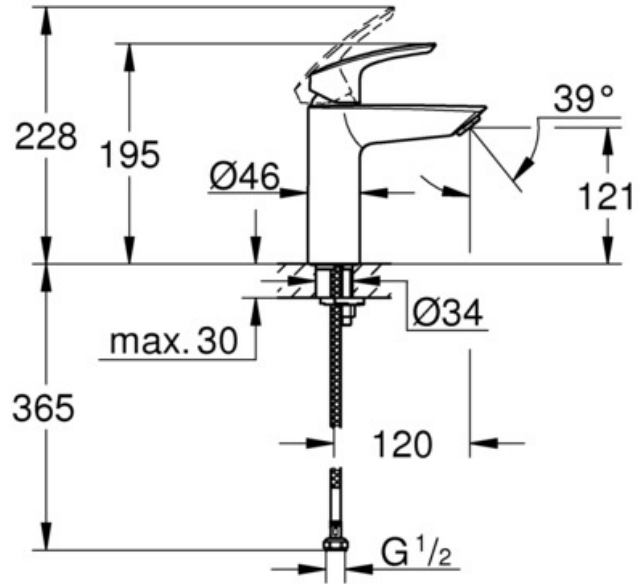
S-Size
Single Hole installation
Metal Lever

GROHE SilkMove®
28 mm Ceramic Cartridge
Adjustable flow rate limiter with temperature limiter

GROHE ZERO Inner waterway - Lead and nickel free

GROHE StarLight® chrome finish

GROHE EcoJoy® Mousseur (Aerator)
Smooth body
Flexible Connection Hoses

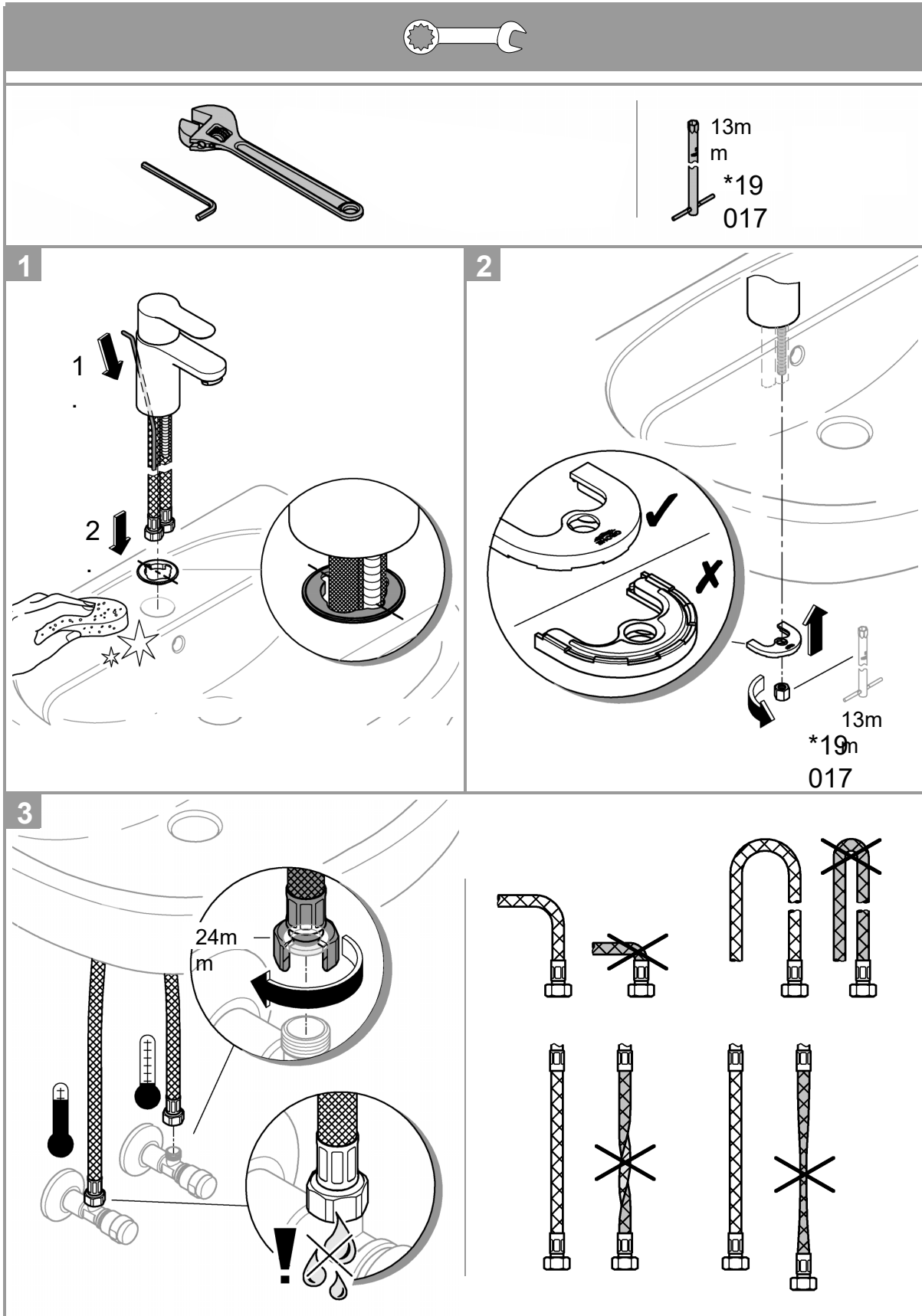


EUROSMART NEW
BASIN MIXER M SIZE
MODEL #23994003

Installation instructions

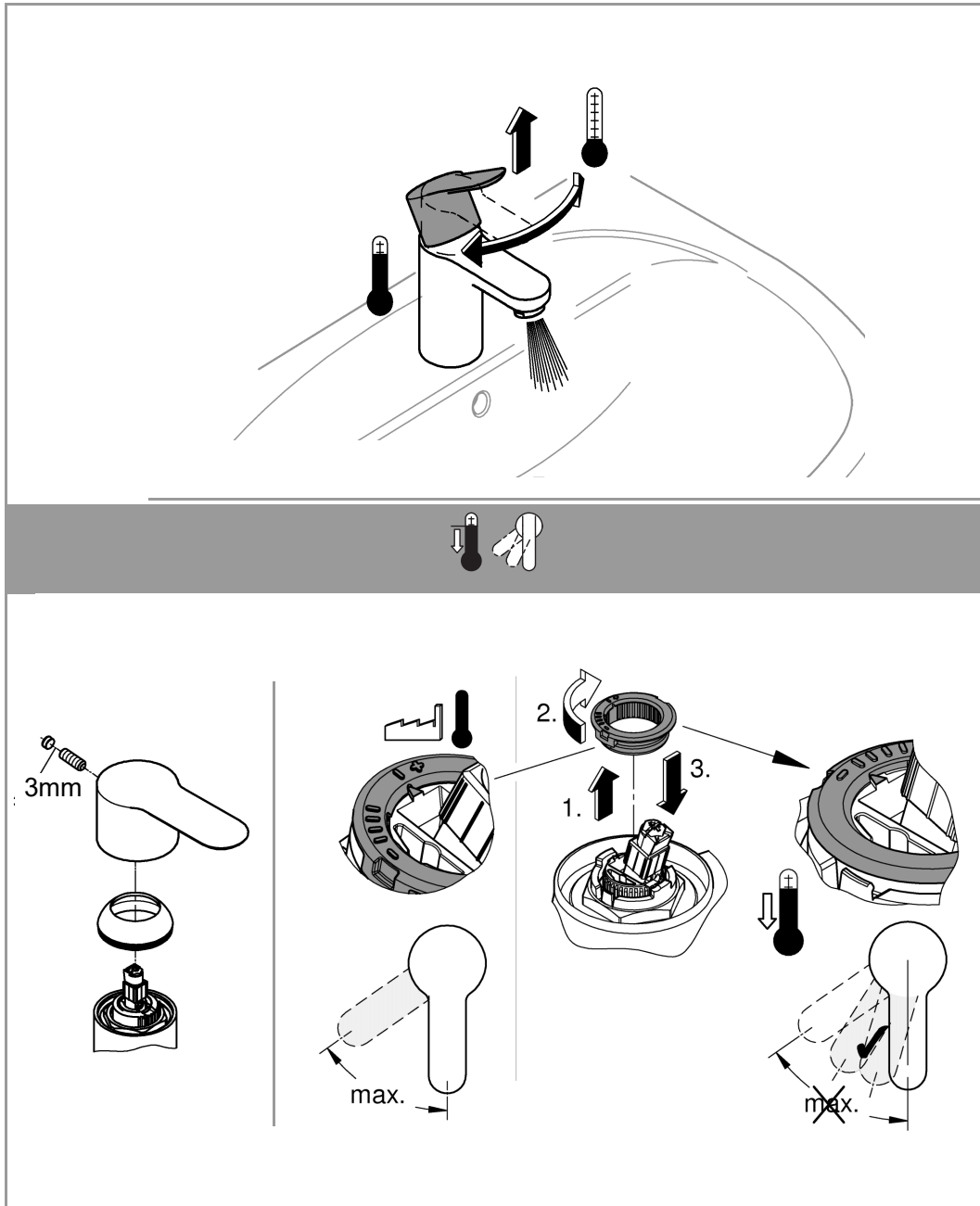
Pure Freude
an Wasser

GROHE



**EUROSMART NEW
BASIN MIXER M SIZE
MODEL #23994003**

Installation instructions



Installation Instructions

Flush piping system prior and after installation of fitting thoroughly.

Installation and connection-Refer to the dimensional drawing above.

This product must be installed in conformance with local codes e.g. AS/NZS 3500 series of standard!

Flow pressure: min. 100kPa bar – recommended 100 – 500 kPa

Note:

Open cold and hot water supply and check connections leakage!

Care:

For directions on the care of this fitting, please refer to the accompanying care instructions.

Application

- for basin

Can be used in conjunction with:

- Pressurised storage heaters
- Thermally controlled instantaneous heaters
- Hydraulically controlled instantaneous heaters

Operation with unpressurised storage heaters (open water heaters) is **not** possible.

Specifications

- Flow pressure min. 50 kPa
- recommended 350 - 500 kPa
- Operating pressure max. 1000 kPa

If static pressure is greater than 500 kPa, fit pressure reducer.
Avoid major pressure differences between hot and cold water supply.

- Flow rate at 300 kPa flow pressure approx. 5 L/min
- Temperature
Hot water inlet: (maximum) 70 °C
Recommended: (energy saving) 60 °C
Thermal disinfection possible
- Water connection cold - right
hot - left



Installation

Flush piping system prior and after installation of fitting thoroughly (Consider EN 806)!

This product must be installed in conformance with local codes e.g. AS/NZS 3500 series of standard!

Installation and connection, see Fig. [1] - [3].

Refer to the dimensional drawing.

The cold-water supply must be connected on the right and the hot-water supply on the left.

Open cold and hot-water supply and check connections for watertightness!



Check fitting for correct operation.



Temperature limiter is inoperative on delivery.



Maintenance

Inspect and clean all parts, replace as necessary and grease with special grease.

Shut off cold and hot water supply!

Replacing the cartridge.

Assemble in reverse order.

Observe the correct installation position!

Make sure that the cartridge seals engage in the grooves on the housing. Screw in and tighten screwing.



Replacement parts (* = special accessories).

Care

For directions on the care of this fitting, refer to the accompanying Care Instructions.

AUS

Tel.: 1800 080 055

Email:

customer.care@reece.com.au



NZ

Tel.: +64 09 415 6000

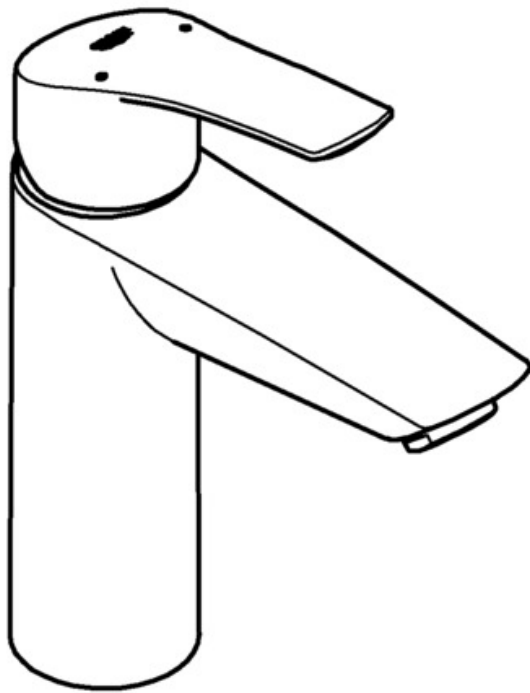
Email:

sales@monacocorp.co.nz

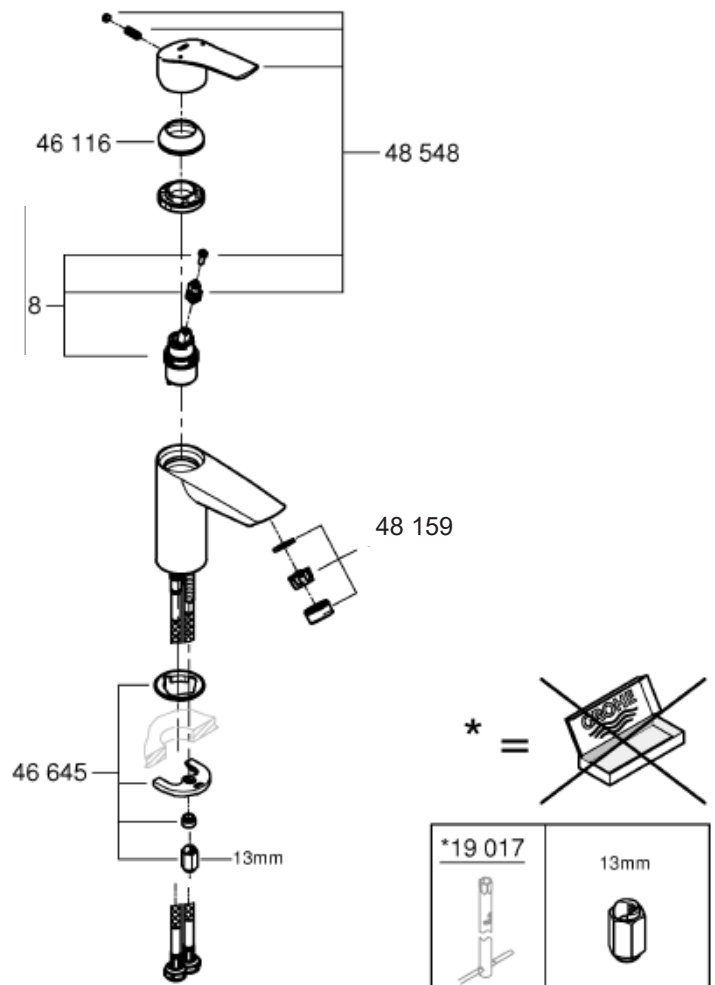
**EUROSMART NEW
BASIN MIXER M SIZE
MODEL #23994003**

Spare Parts

*Pure Freude
an Wasser*

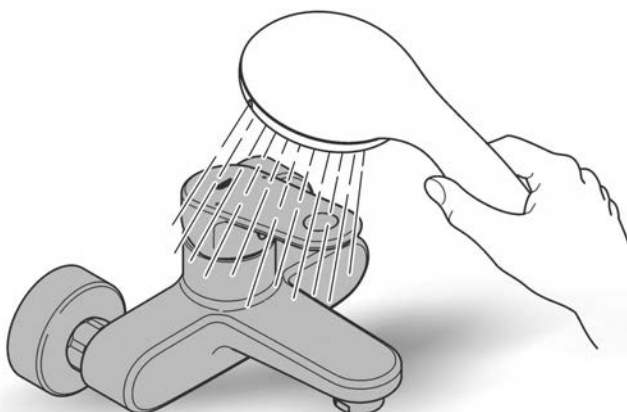
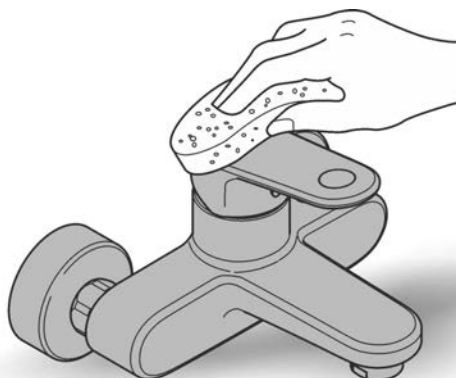


Pos.-nr.	Product Description	Order-nr.	Units per package
1	Cap	46116000	1
2	Lever	48548000	1
3	Cartridge	48518000	1
4	Fixation assembly	46645000	1
5	Mousseur	48159000	1
	Socket spanner - Optional extra	19332000	1
	Mounting wrench - Optional extra	19017000	1





48166000



SpeedClean

