

STAINLESS STEEL ELECTRIC



ELECTRIC

50L
250L
315L

DELIVERY

1 - 6

PEOPLE

10
YEAR

CYLINDER
WARRANTY⁴

Indoor/
Outdoor

INSTALLATION

With a stainless steel cylinder and water fittings, Everhot Stainless Steel electric water heaters offer maximum longevity and reduced lifetime maintenance costs in an easy to handle, lightweight package. And with superior insulation, they comfortably outperform regulated Minimum Energy Performance Standards (MEPS)⁶.

FEATURES

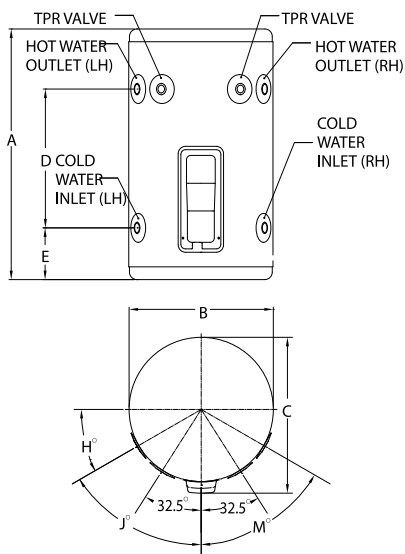
- Available in 50L, 250L and 315L capacities to suit most applications
- Stainless steel cylinder and fittings resist corrosion for longer, extending product life
- Up to 40% lighter⁵ for easier handling
- No anode, to reduce lifetime maintenance costs
- Up to 19% better than MEPS⁶ reducing energy use to save you money
- Hi-temp 80°C thermostat (50L model only)
- Dual handed fittings for easier installation (50L model only)
- Made in Australia
- 10 Year cylinder warranty⁴
- Mains pressure
- Full warranty support through a comprehensive national service network



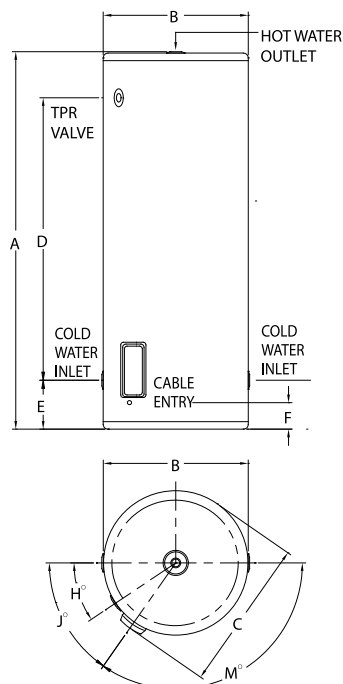
SPECIFICATIONS		50L	250L	315L
Everhot Stainless Steel Electric	Model	2A1050	2A1250	2A1315
Hot Water Delivery	Litres	50	250	315
No. of People (moderate climate)	Continuous Tariff	1-2	3-5	4-6
No. of People (moderate climate)	Off Peak/Night rate	N/A	1-3	2-4
kW Rating		3.6 kW	3.6 kW	3.6 kW
Maximum Supply Pressure				
	with ECV	960 kPa	680 kPa	680 kPa
	without ECV	1120 kPa	800 kPa	800 kPa
T&PR Valve		1400 kPa	1000 kPa	1000 kPa
ECV setting		1200 kPa	850 kPa	850 kPa
Thermostat Setting (maximum)		80°C	75°C	75°C
Water Hot and Cold Connections		Rp ¾ Female		
PTR Connections		Rp ½ Female		
Better than MEPS ⁶ by		4.8%	19%	17%
Dimensions				
A		695	1440	1760
B		400	620	620
C		432	630	630
D		385	1000	1320
E		145	220	220
F		93	145	145
H		30	30	30
J		60	60	60
M		60	120	120
Approx. Weight (inc. packaging)	kg	15.9	44.8	52.9

Technical data is subject to change.

Everhot SS 50L



Everhot SS 250L and 315L



Everhot Stainless Steel water heaters are not recommended for installation in some areas.

Refer to www.reece.com.au/Everhot for details of areas not recommended and where, if installed, product is not covered by warranty.

50L models have left and right hand (dual handed - DH) cold water connections, hot water connections, and T&PR valve fittings.

250L-315L models have left and right hand (dual handed - DH) cold water connections, a hot water connection at the top of the water heater and a T&PR valve fitting on the left hand side.

Note: Allow additional top clearance for the hot outlet fittings and pipe work.

- Warranty: 10 Year cylinder warranty, 1 Year parts and labour on all other components for domestic (non-commercial) installations. Conditions apply. See the Everhot warranty set out in the Owner's Guide and Installation Instructions or view online at www.reece.com.au/Everhot
- Up to 40% lighter than comparable Everhot vitreous enamel water heater models of same capacity
- Minimum Energy Performance Standard (MEPS) is a regulated requirement that electric water heaters sold in Australia must meet. Everhot Stainless Steel models perform up to 19% better than MEPS requirement. Performance varies by model, refer to Specification Table for individual models' performance.

