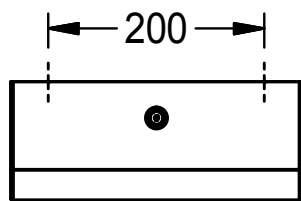
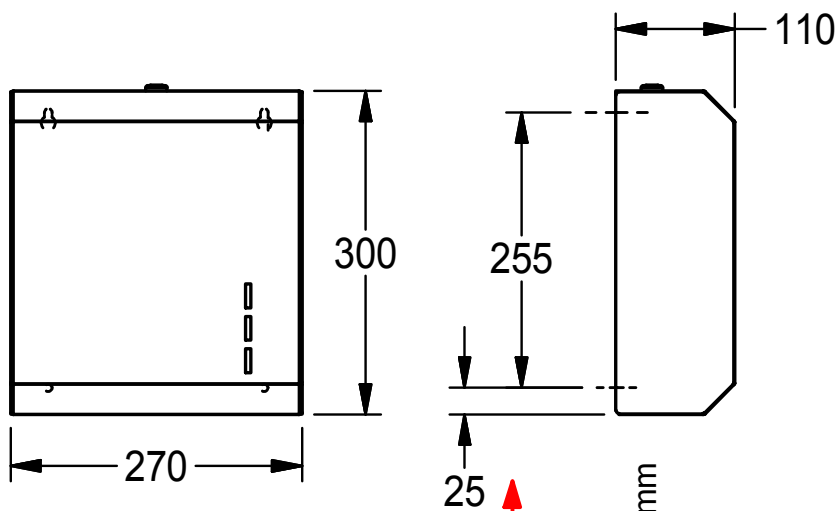


# Installation and Operating Instructions

## FRK201069 Paper Towel Dispenser

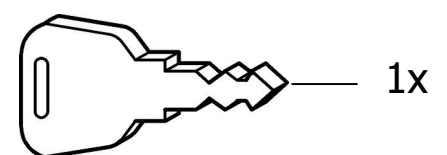
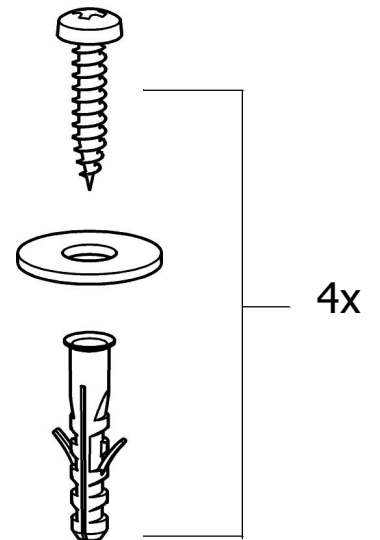
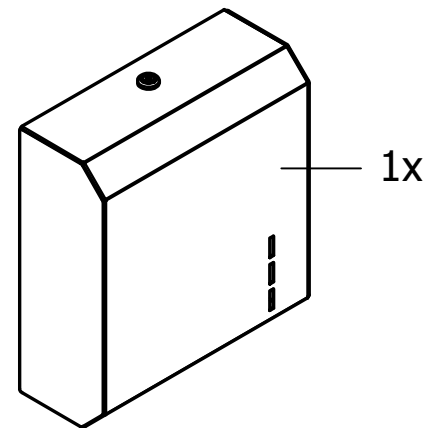
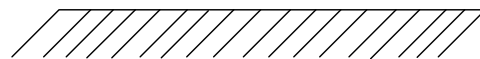
2030054844

270 x 300 x 110



25

Recommended Mounting  
Height off floor-1355 to 1460 mm



## MATERIALS:

1. SS304 Grade Stainless steel; all the surfaces have satin-finish.

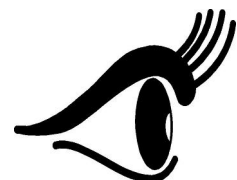
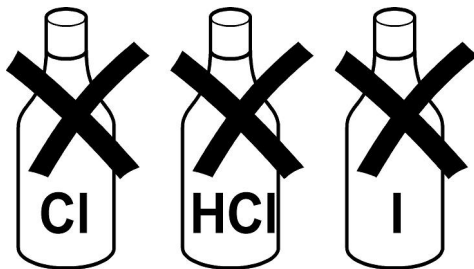
## INSTALLATION GUIDELINES:

1. Use the keys provided to open the door of the paper towel dispenser unit.
2. Place the unit on the wall and mark the exact point and the mounting hole distance.
3. Drill mounting holes on the wall using the reference marked dots
4. Fix the plastic dowel in to the hole and make sure they are flushed with the wall.
5. Now place the unit on the wall and install the screws into the mounting holes.
6. After finishing if the unit is loose, make sure the screws are all the way in and the screw heads are the only visible parts.

## REPLACEMENT PARTS:

1. Lock and key set - 2000103362

## NOTES:



[www.franke.com/ae/en/ws](http://www.franke.com/ae/en/ws)

---

Franke L.L.C  
P.O. Box 14511  
Ras Al Khaimah / United Arab Emirates  
t: +971 (0)7 2034 700  
e: ws-info.ae@franke.com

**FRANKE**