

NEO 1400 DOUBLE WALL HUNG BASIN



Neo combines function with exclusive, uncomplicated design. The needs and desires of the modern family strongly influenced the creation of Neo, resulting in a contemporary, highly adaptable range of basins with superior quality furniture.

SPECIFICATIONS

Recommended Use	Domestic, Hotel and Commercial
Material	Solid Surface
Finish	Matt
Colour	White
Basin Type	Wall Hung
Basin Configuration	Double Bowl
Capacity	8 litres each bowl
Fixing	Bolted/screwed to wall by licensed trades person Supplied with fixing bolts Installer to determine appropriate wall fixings
Taphole Availability	0 or 2 Taphole (Tapware not included) Left Hand Bowl, Left Hand Tap Hole Right Hand Bowl, Right Hand Tap Hole
Integrated Overflow	Yes
Plug & Waste	Supplied with 2 x 32-40mm Chrome Pop Up Waste
Options	Basin also available in 470mm, 700mm or 1000mm



To see the complete OMVIVO range go to www.reece.com.au/bathrooms

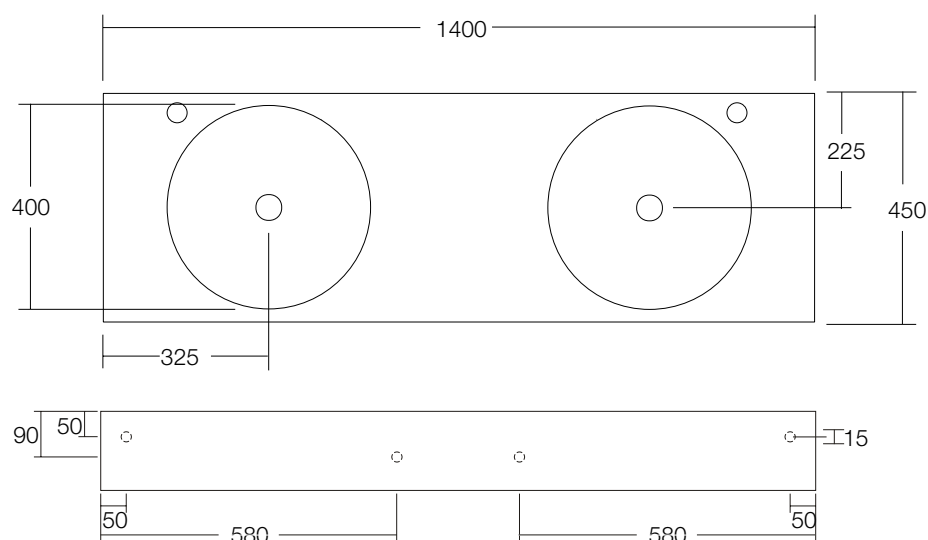
CLEANING RECOMMENDATIONS

We recommend the use of soapy water or approved cleaners.

This product should not be cleaned with abrasive materials.

Damage caused by any improper treatment is not covered by the product warranty. Refer to Warranty Conditions. Please refer to detailed cleaning instructions on page 3.

NEO 1400 DOUBLE WALL HUNG BASIN



NEO BASIN INSTALLATION INSTRUCTIONS

NO claims for damages / defects will be recognised after installation.

Prior to installation it is important to unpack and inspect your products to ensure no damage has occurred in transit and that the product IS CORRECT.

If damage has occurred, or a visible defect exists, do not proceed with installation and contact supplier IMMEDIATELY.

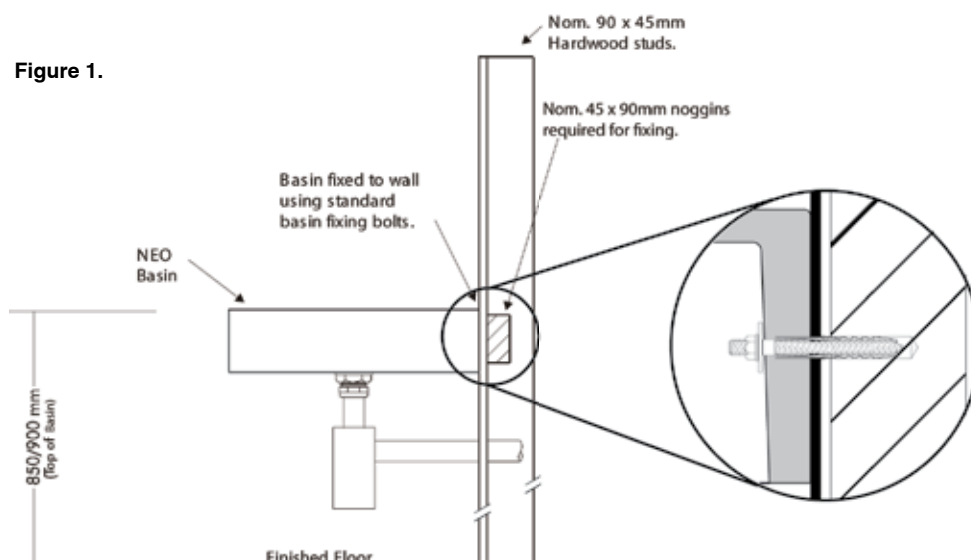
Step 1. Mark out bolt positions ensuring they are level and at the correct height.

Step 2. Installer to determine appropriate fixings, ensure wall is suitable and studs, noggins etc. are in appropriate locations.

Step 3. Once appropriate fixings are in the wall, place basin over bolts and tighten.
See figure 1.

Step 4. Once basin is attached to wall, connect trap and other hardware as necessary.

Note: Bottle trap is not included with basin





NEO 1400 DOUBLE WALL HUNG BASIN

DETAILED CLEANING INSTRUCTIONS

Regular cleaning will assist to keep your solid surface looking fantastic and reduce wear and dirt build up. Spills should be cleaned promptly. Clean with a mild detergent or soapy water and a soft cloth, sponge or non scratch scourer*.

For stubborn marks start with the non-scratch scourer and a mild detergent, if required use a diluted very mild abrasive cleaner* cleaning in light circular motions.

Intense clean/repair: For extreme marks and light scratches a very light buff in circular motions using the finest grade sand/glass paper will restore the surface. A heavier grade of sandpaper will scratch the surface which can be removed by then using a light sand paper. Avoid applying excessive pressure or clean/rub the same area for a prolonged time unless repairing a scratch or damage.

*Always test 'non scratch' and 'mild abrasive' products in a non-conspicuous area first to ensure suitability as brands can differ.

Important notes: If the product is created from a combination of Solid surface and another material such as glass or Softskin, it is important that the cleaning instructions for Solid surface are not carried out on the alternate material. Damage may occur which will void your warranty.

To maintain a uniform appearance, you may need to clean the entire surface. Never use sharp products such as steel wool or aggressive, commercial grade / strong cleaners or chemicals (e.g. acetone, trichloroethylene, acids, and caustic soda) as these may damage and scratch the surface. For best results always finish by wiping surface clean of all detergents and dry with a soft clean cloth.