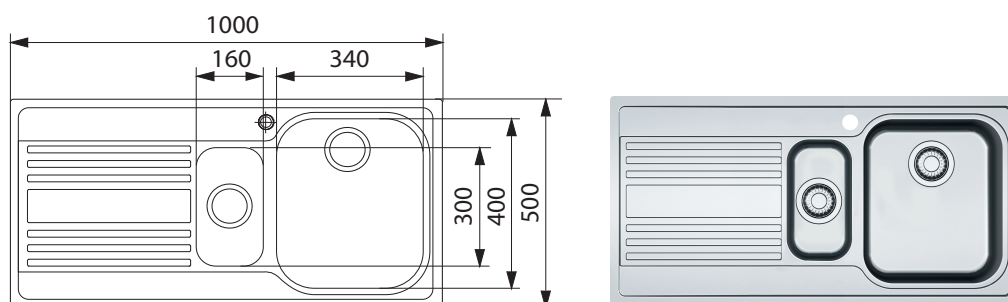


FRANKE

RAPID 1 & 1/3 BOWL WITH DRAINER INSET SINK - RPX 651



FEATURES

Model	RPX 651
Bowl configuration	Sink is available with either left hand drainer or right hand drainer
Bowl(s)	Stainless steel with cr=70 mm corners and centred waste
Finish	Stainless steel
Fixing	Fixing clips
Colours	N/A

SPECIFICATIONS

Recommended use	Domestic
Material	Stainless steel
Formation	Pressed 2 piece
Tap Holes	1 tap hole - pre punched
Dimensions	1000 x 500 x 200 mm
Bowl Size	340 x 400 x 190 mm/25 L 160 x 320 x 120 mm/6 L
Cut Out	980 x 480 mm
Cabinet Size	600 mm
Waste Outlet	90 mm
Features	Franke hidden overflow, integrated sealing strip, sound deadening pads
Accessories	Optional accessories: Franke drainer basket and chopping board
Models available	RPX 611-86 RPX 621

To see the complete FRANKE range go to www.reece.com.au/bathrooms

CLEANING RECOMMENDATIONS

We recommend the use of soapy water or approved cleaners.

This product should not be cleaned with abrasive materials.

Damage caused by any improper treatment is not covered by the product warranty - refer to Warranty Conditions on the last page.

Disclaimer: Products in this specification manual must by regulation be installed by licensed and registered trade people. The manufacturer/distributor reserves the right to vary specifications or delete models from their range without prior notification. Dimensions are nominal measurements only. Dimensions and set-outs listed are correct at time of publication however the manufacturer/distributor takes no responsibility for printing errors.

Tech Page Version 1

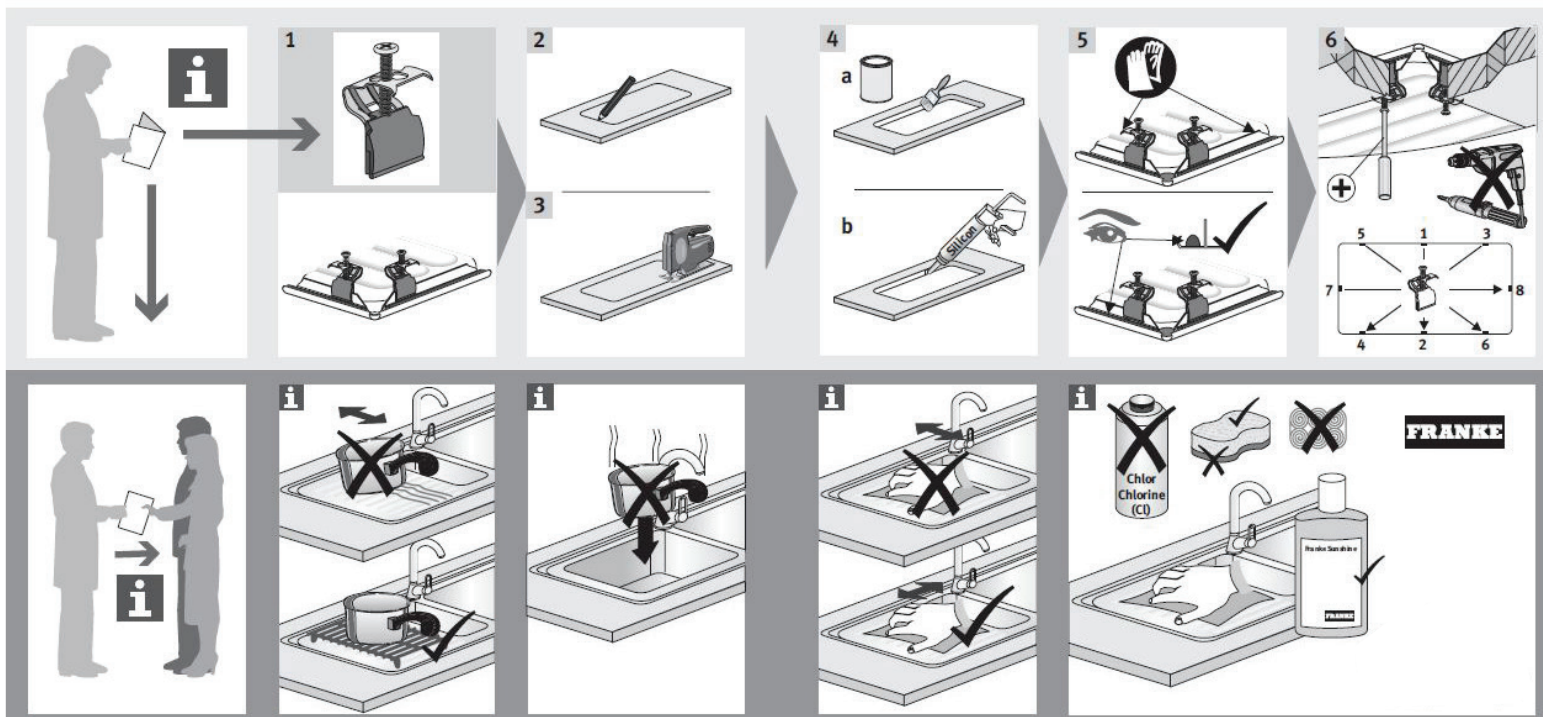
FRANKE

reece

FRANKE

RAPID 1 & 1/3 BOWL WITH DRAINER INSET SINK - RPX 651

INSTALLATION INSTRUCTIONS



Plumbers, please ensure a copy of the installation instructions is left with the end user for future reference

