

# CLOSE COUPLE TOILET

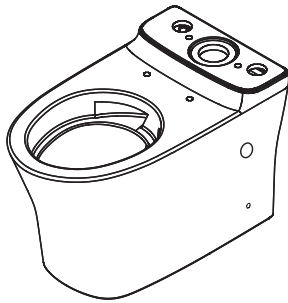
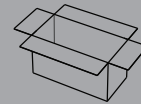
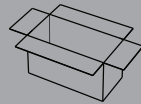
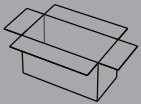
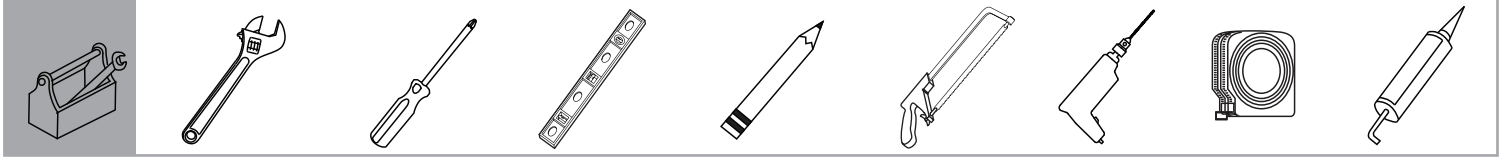
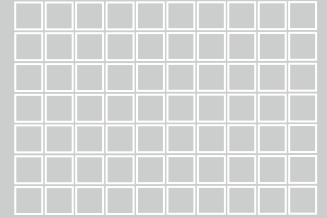
**Signature CC BTW**

**Installation Manual**

**3322 / 4322 Bottom Inlet**



*American Standard*



\_\_\_\_\_ x1



\_\_\_\_\_ x1



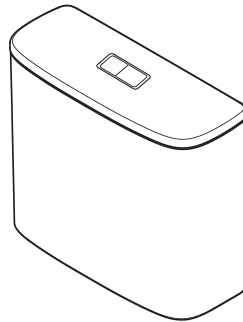
\_\_\_\_\_ x1



\_\_\_\_\_ x1



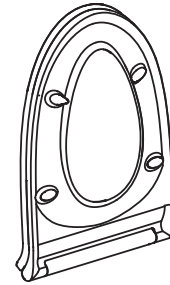
\_\_\_\_\_ x1



\_\_\_\_\_ x1



\_\_\_\_\_ x1

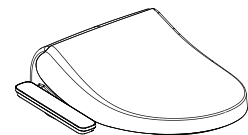


**Option 1**

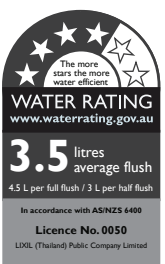
\_\_\_\_\_ x1

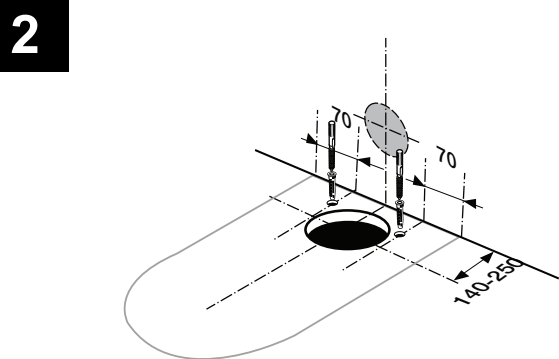
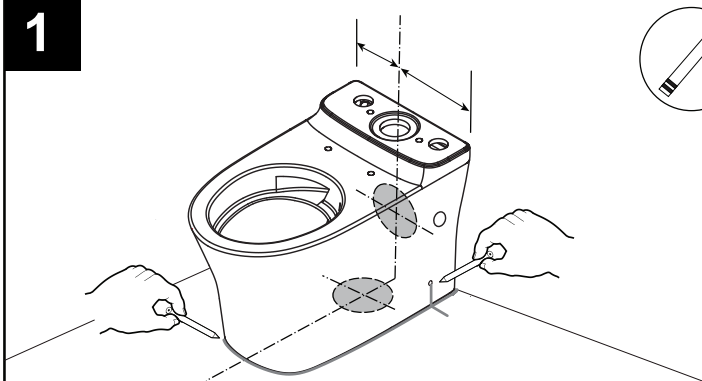
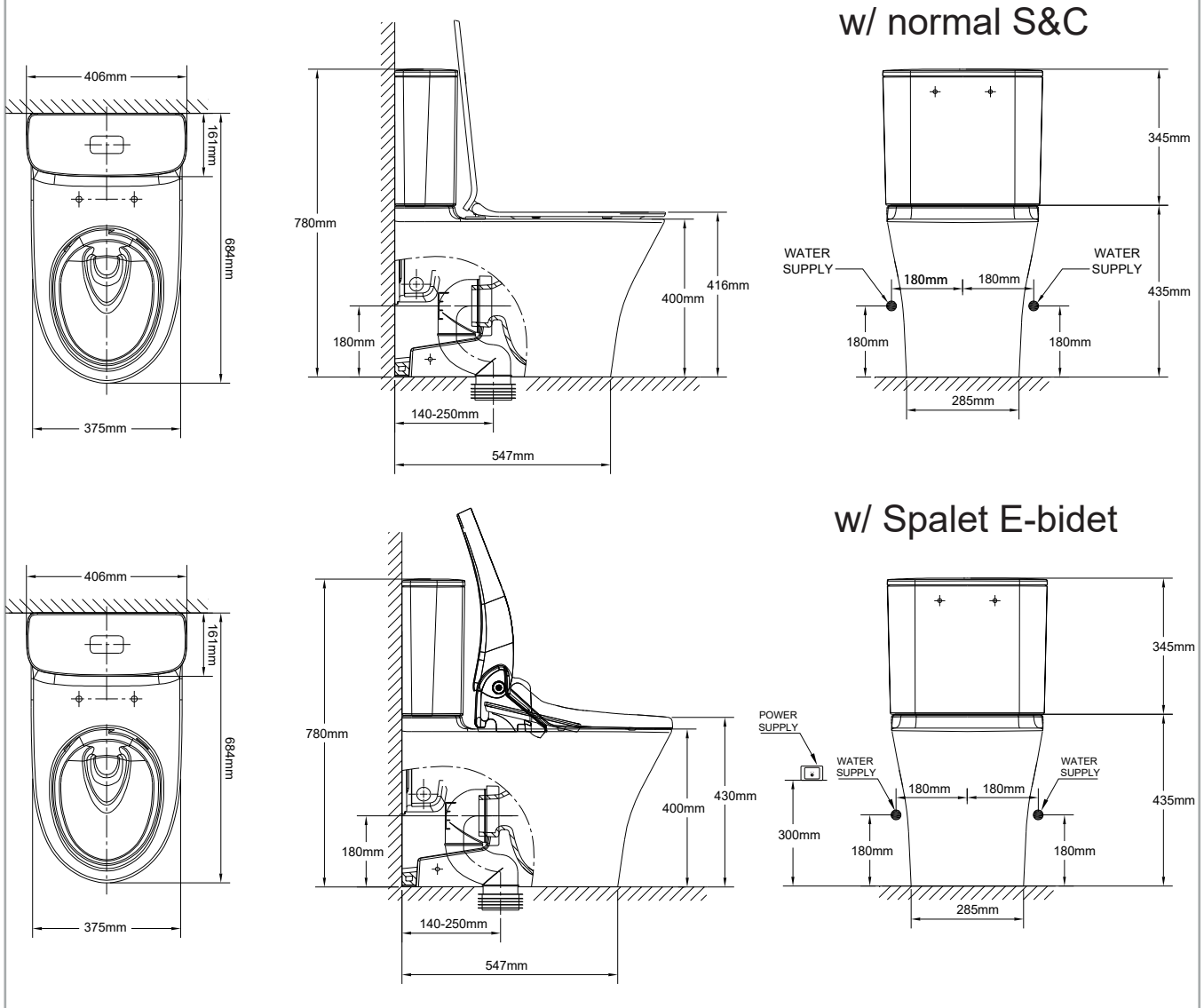


\_\_\_\_\_ x1



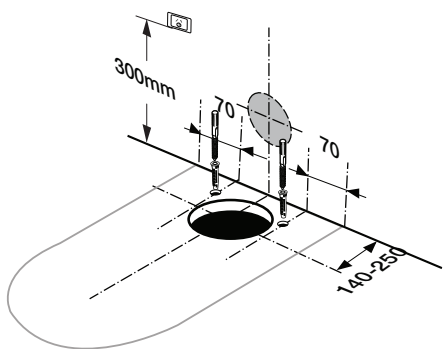
**Option 2**



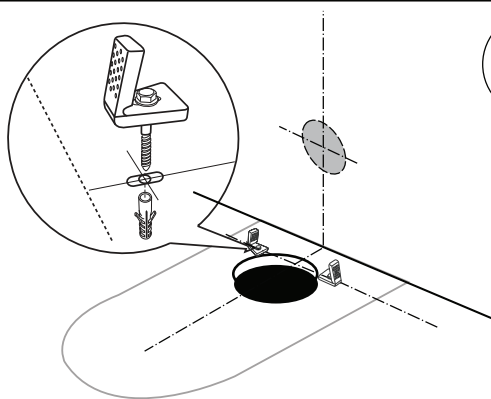




2.2

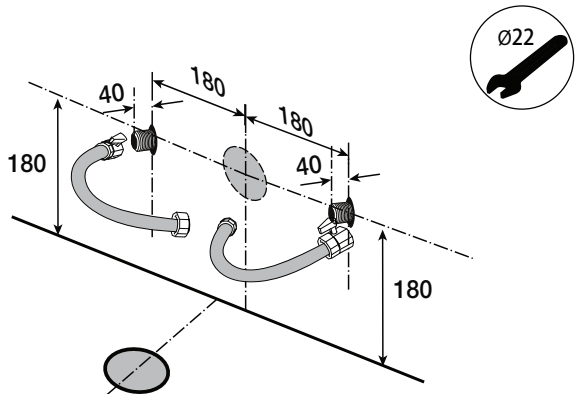


3

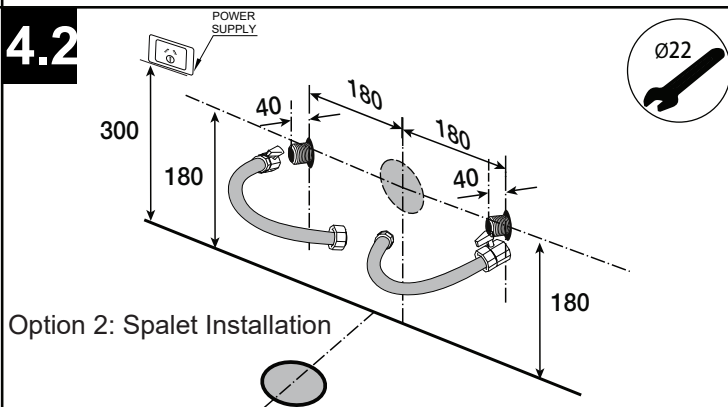


Option 2: Spalet Installation

4.1



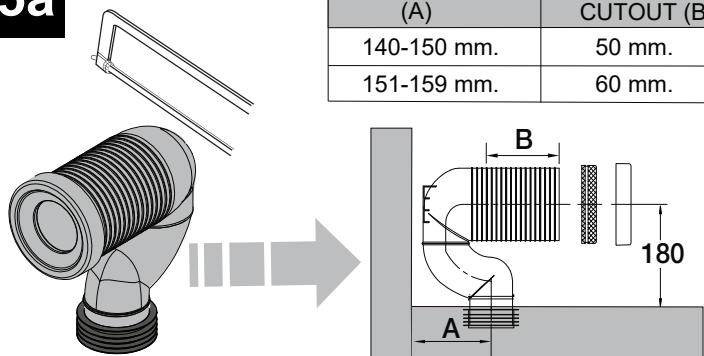
4.2



Option 2: Spalet Installation

5a

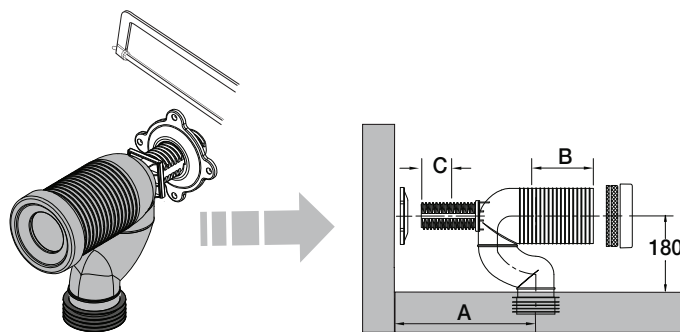
ROUGHING - IN (A)	CONNECTOR CUTOUT (B)
140-150 mm.	50 mm.
151-159 mm.	60 mm.



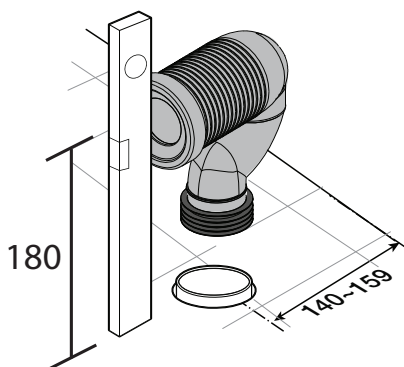
5b

ROUGHING - IN (A)	CONNECTOR CUTOUT (B)	ROUGHING-IN (A)	CONNECTOR CUTOUT (B)
160-170 mm.	70 mm.	211-220 mm.	120 mm.
171-180 mm.	80 mm.	221-230 mm.	130 mm.
181-190 mm.	90 mm.	231-250 mm.	150 mm.
191-200 mm.	100 mm.		
201-210 mm.	110 mm.		

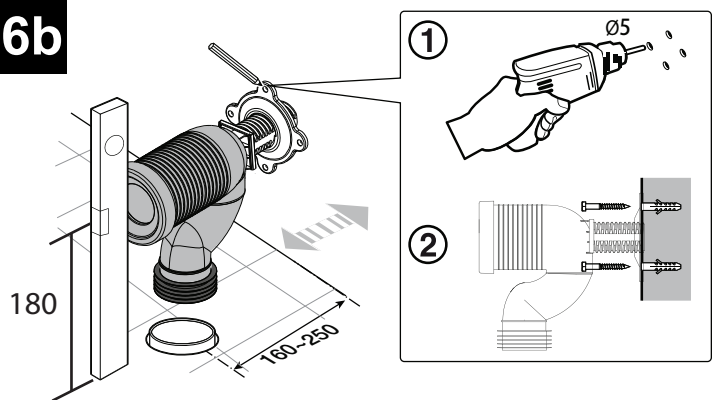
C=116 - (A-160)



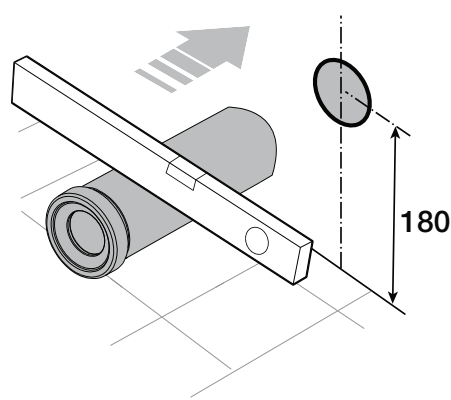
6a



6b

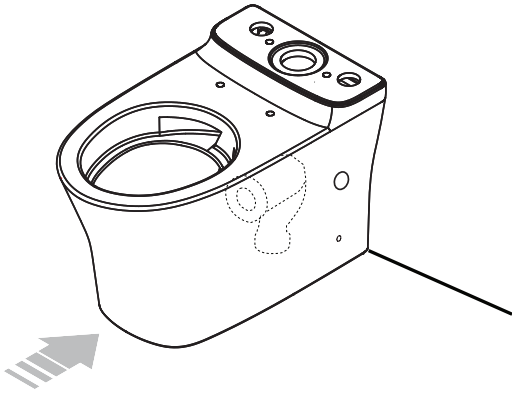


7

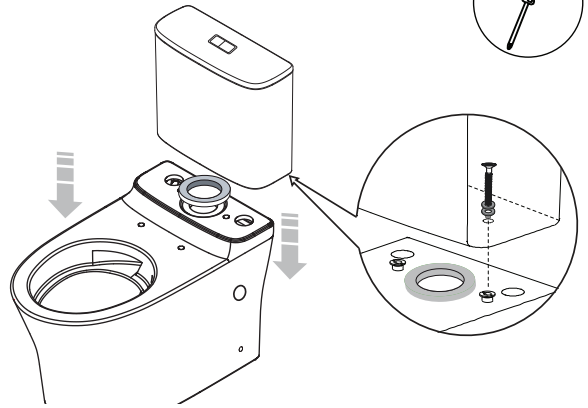




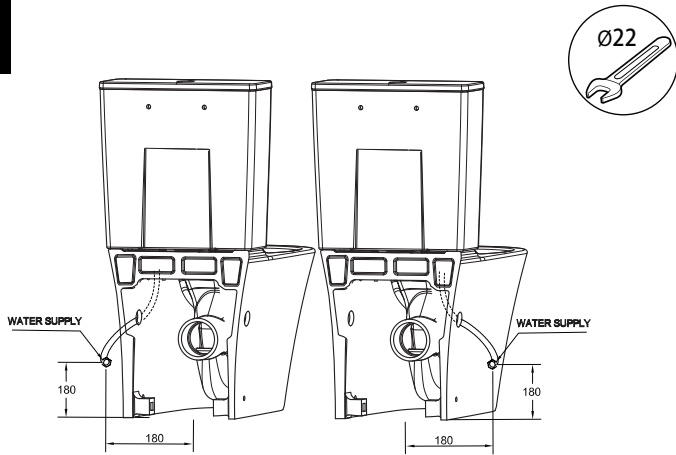
8



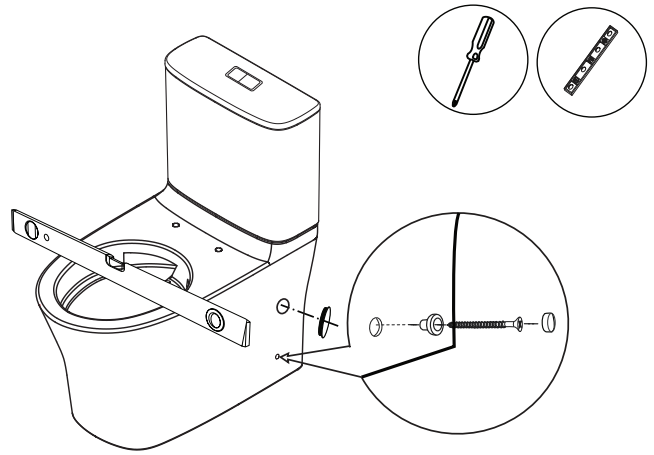
9



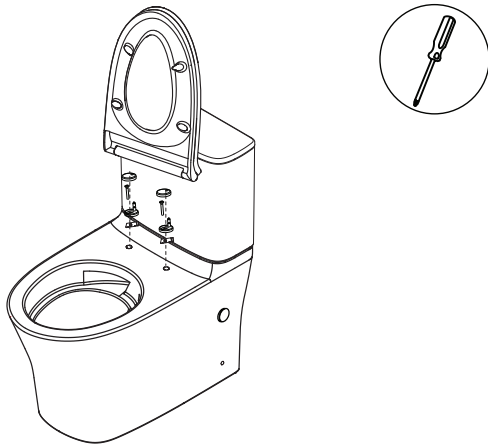
10



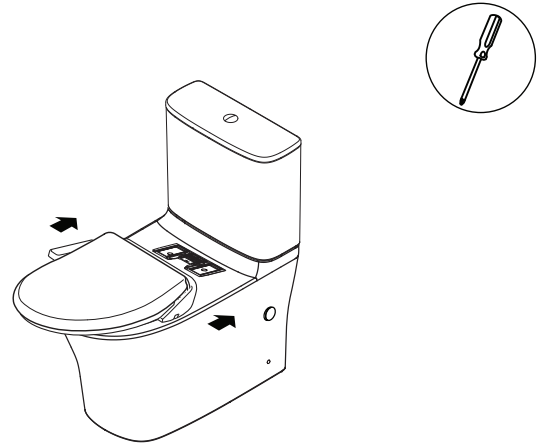
11



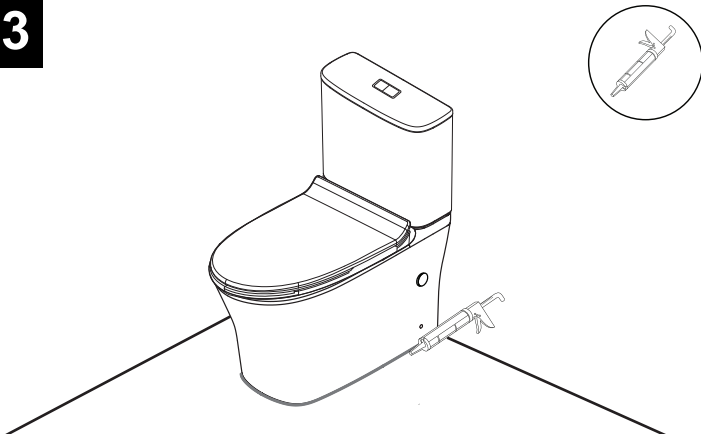
12.1



12.2



13



14

### IMPORTANT

#### Before turning on water supply check:

1. Cistern is installed properly
2. All moving components operate freely
3. All couplings are tightened correctly

#### Now fill cistern and recheck water level:

4. Check carefully for leaks
5. Test the cistern flushes