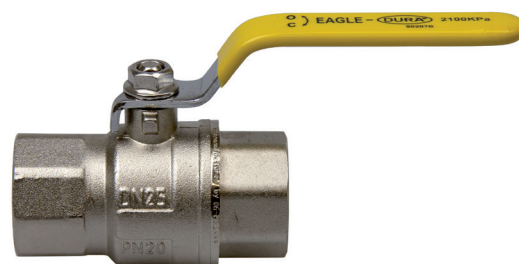


DURA EAGLE BALL VALVE - GAS

15mm – 50mm

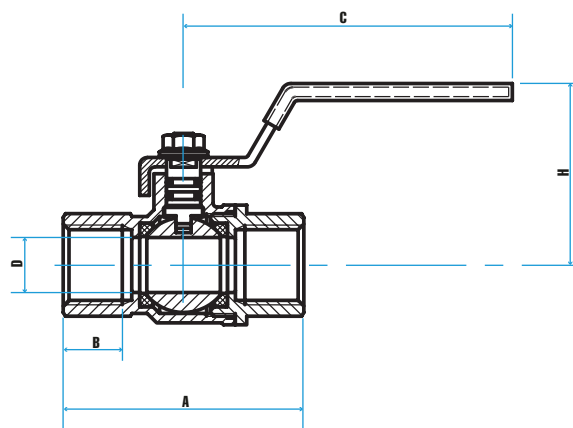
SPECIFICATIONS

Recommended use	Suitable for line assembly in pipeline with the principle aim to open and close flow in distribution systems.
Features	Quarter Turn Operation Real Full Bore Hard Chromed Solid Ball 100% Tested Stainless Steel Handle to prevent electrolysis
Working Pressure	PN20 / 2000 kPa
Temperature Range	-20°C to +70°C
Warranty	12 Months
Threads	Rp Series AS / ISO 7.1
Approvals	AGA 6928



PHYSICAL SPECIFICATIONS

Body	Brass
Ball	Brass
Bonnet	Brass
Seal Ring	PTFE
O-Ring	NBR
Spindle	Brass
Nut	Steel
Handle	Stainless Steel



SPECIFICATIONS

Product Code	Product Description	Size	A	B	C	D	H
		DN	mm	mm	mm	mm	mm
1004050	DURA EAGLE BALL VALVE F&F GAS 15MM	15	60	15	85	14.5	47
1004051	DURA EAGLE BALL VALVE F&F GAS 20MM	20	68	15	112	19	48
1004052	DURA EAGLE BALL VALVE F&F GAS 25MM	25	83	20	112	24.5	55
1004053	DURA EAGLE BALL VALVE F&F GAS 32MM	32	98	23	130	32	70
1004054	DURA EAGLE BALL VALVE F&F GAS 40MM	40	108	23	155	40	77
1004055	DURA EAGLE BALL VALVE F&F GAS 50MM	50	127	27	155	49	88

Disclaimer: Products in this specification manual must by regulation be installed by licensed and registered trade people. The manufacturer/distributor reserves the right to vary specifications or delete models from their range without prior notification. Dimensions and set-outs listed are correct at time of publication however the manufacturer/distributor takes no responsibility for printing errors.

