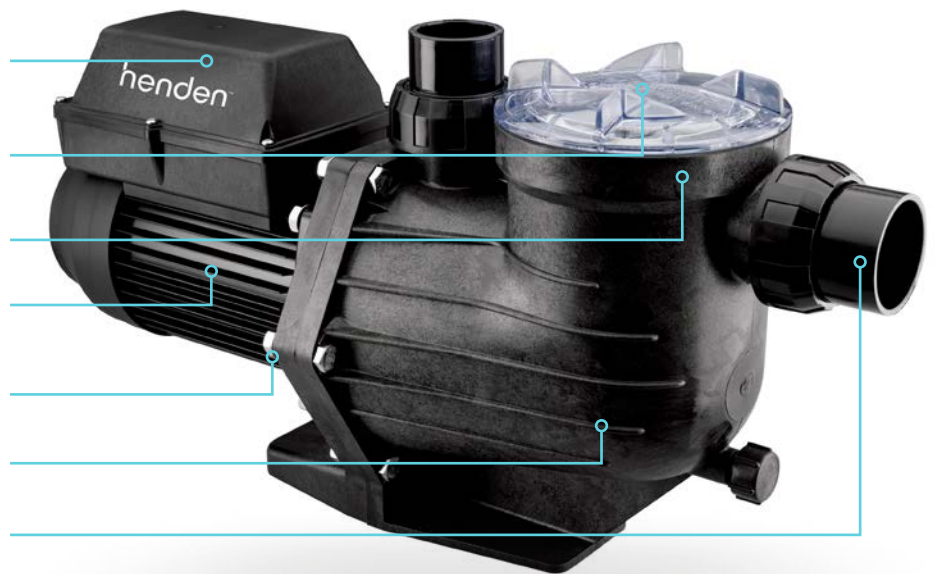


## 6 Star 2 Speed Pump

The 6 Star energy efficient pump with 2 speed control for maximum performance. Specifically designed to circulate swimming pool water for filtration, heating and automatic pool cleaning applications. Suitable for pools up to 95,000 litres.

- > **2 speed variable control for maximum performance and efficiency**
- > **See through lid for visibility and easy maintenance**
- > **Extra large leaf basket for longer intervals between cleaning**
- > **Robust and reliable AC motor for longer pump life**
- > **Auto-reset thermal protection to prevent overheating of the motor**
- > **Strong corrosion resistant, UV stabilised materials**
- > **40/50mm ABS quick coupling barrel unions for easy connection and installation**



## Features

- > **2 Speed Control**  
Switch between Eco Flow (lowest speed) for pool filtration and High Flow for automatic pool cleaning, heating and backwashing applications
- > **Smaller Footprint**  
To fit into those tight and confined spaces
- > **Energy Efficient**  
Lower emissions, power usage and energy costs compared to single speed pumps
- > **Lower Noise Levels**  
Quiet at only 54.3dB, allowing you to run your pump at any time of day or night
- > **4 Year Guarantee**  
Peace of mind from an Australian owned, designed and engineered pool pump



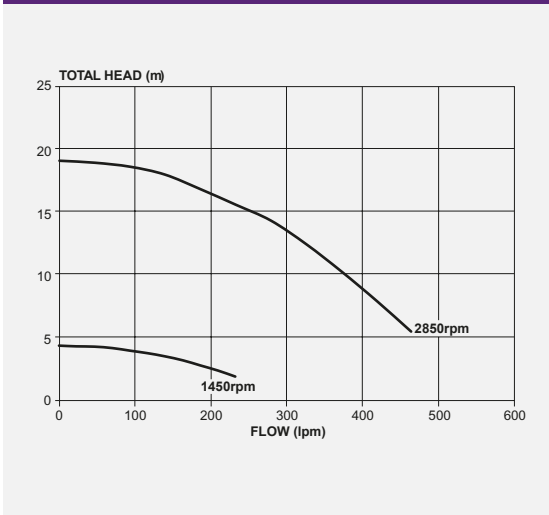
### Electrical Data

Model	H62SP
RPM	Eco Flow Speed – 1450 High Flow Speed – 2850
Enclosure Class (IP)	25
Insulation Class	Class F 155 Insulation
Voltage (V)	240 AC
Supply Frequency (Hz)	50
Run Current (A)	7.1
Motor Input Power (W)	Eco Flow - 279W Hi Flow – 1510W
Motor Output Power (W / hp)	Eco Flow - 223W / 0.3 hp Hi Flow – 1208W / 1.6 hp

### Operating Limits

Maximum water temperature	50°C
Maximum ambient temperature	55°C

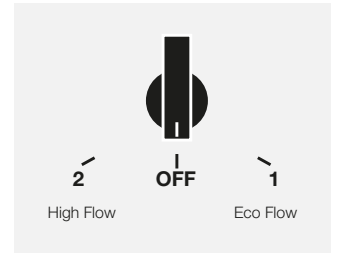
### Hydraulic Performance



**Low Energy Operation:**  
2 speed settings:

1. Eco Flow – Lowest Speed
2. High Flow – Highest Speed

Eco Flow mode provides the lowest speed and therefore the greatest energy savings.



### Operation

### Recommended Speed Setting

Pool filtration	Eco Flow
Automatic pool cleaner operation	High Flow
Backwashing your media filter	
Manually cleaning your pool	
Water feature operation	
Spa jet operation	
Solar pool heating	

### Dimensions (mm)

A	B	C	D	E	Mounting Holes Dia.	Inlet PVC	Outlet PVC	Net Weight (Kg)
645	330	250	305	246	10	40/50	40/50	15.9

