



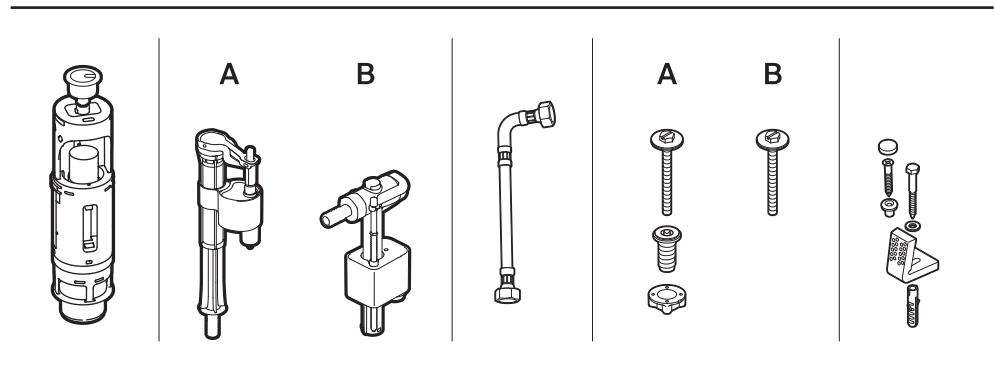
Roca The Gap Square & Round CCBTW Back & Bottom Inlet Toilet Suites



The Gap Round Close Coupled Back To Wall
Rimless Overheight Back & Bottom Inlet Toilet
Suite 4 Star



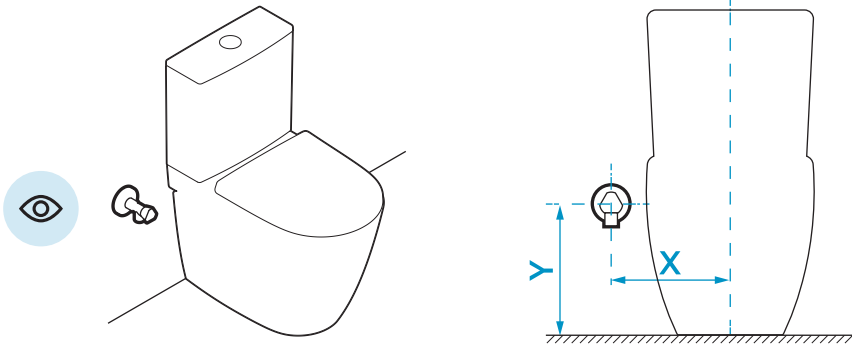
The Gap Square Close Coupled Back To Wall
Rimless Overheight Back & Bottom Inlet Toilet
Suite 4 Star





(mm)

Bottom Inlet

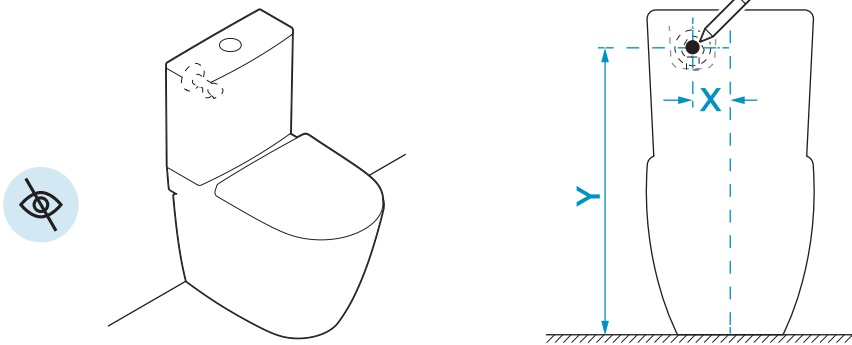


The Gap Round Bottom Inlet

X	Y
200	185

Note: Can Be LHS or RHS, Flexi Hose and Stop Valve not supplied.

Back Inlet

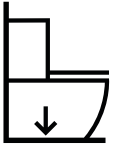


The Gap Round Back Inlet

X	Y
100	750

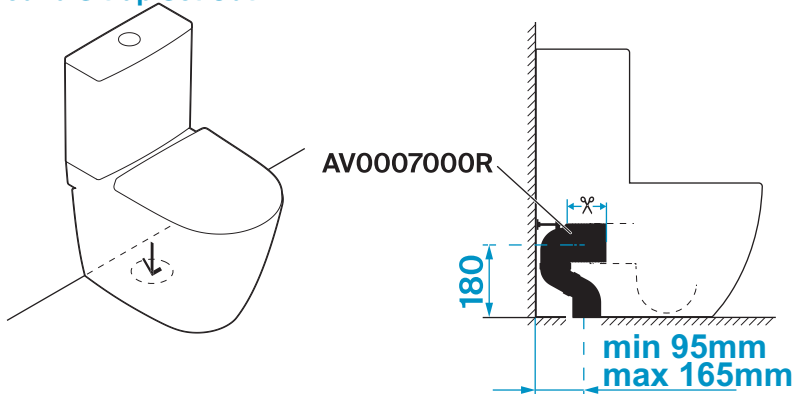
The Gap Square Back Inlet

X	Y
100	755

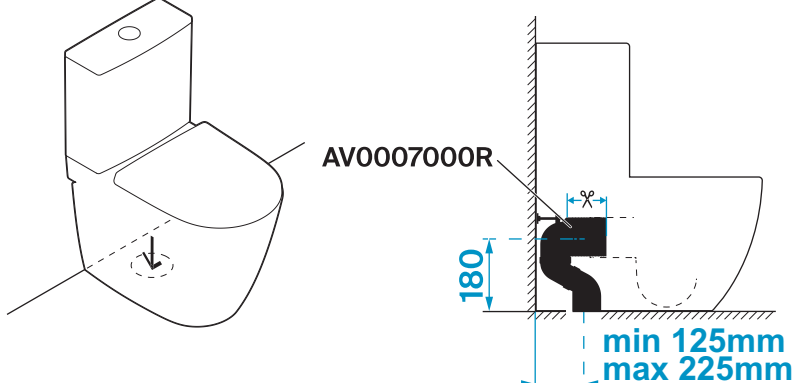


(mm)

The Gap Round S trap Set Out

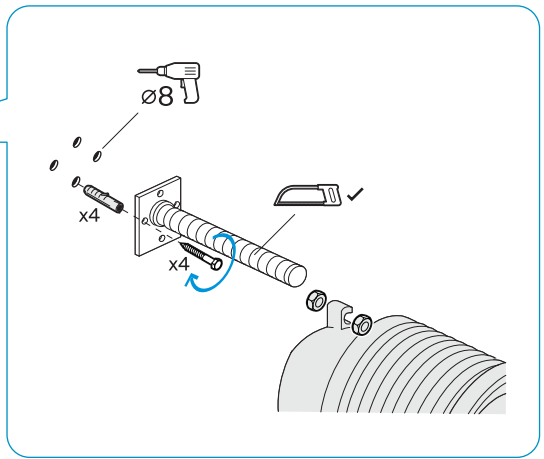
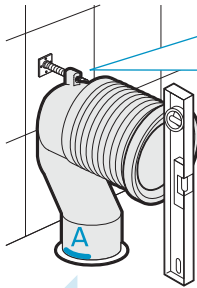
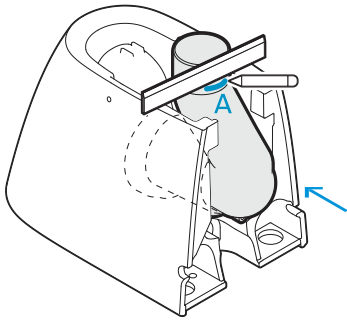


The Gap Square S trap Set Out

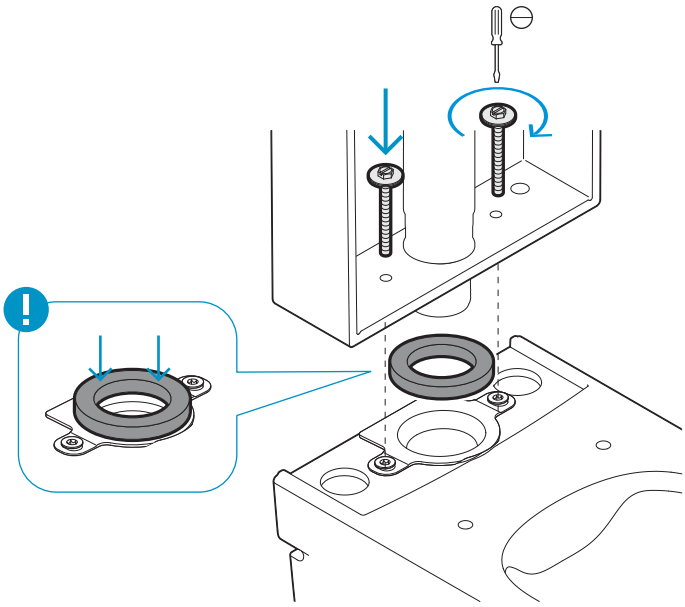
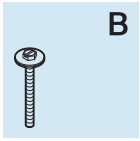
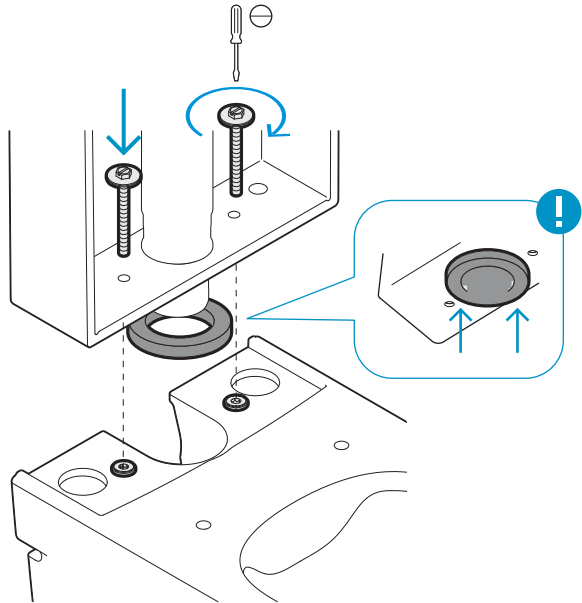
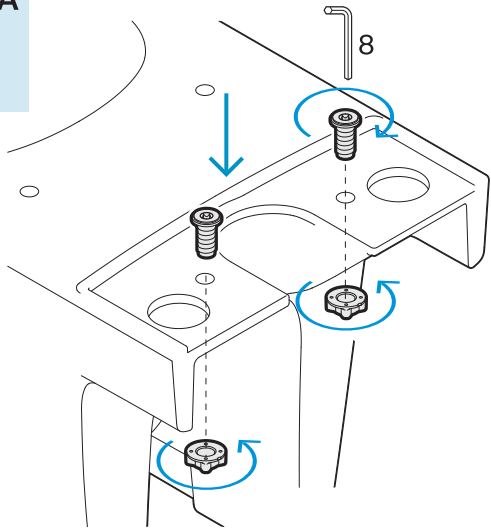
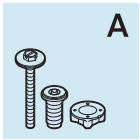




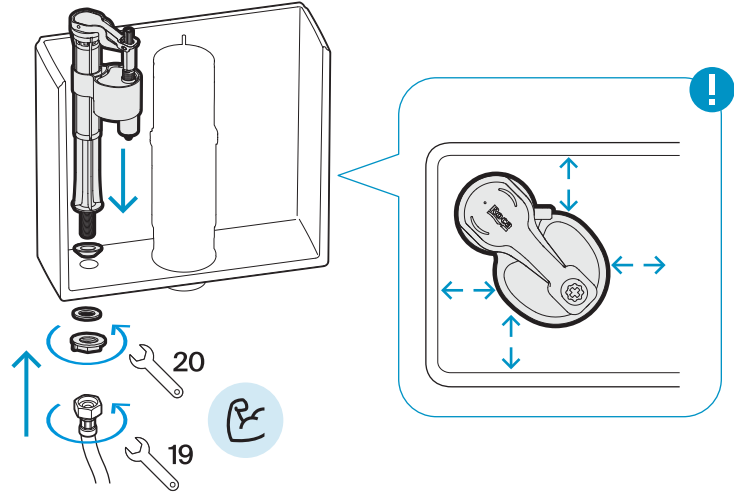
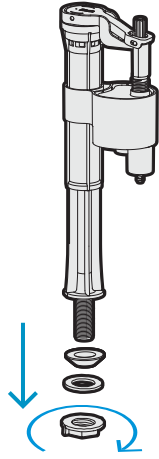
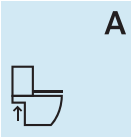
1



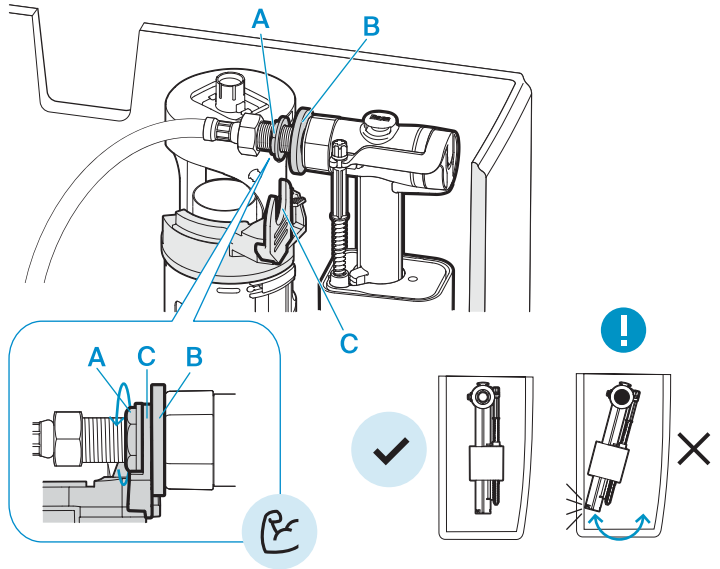
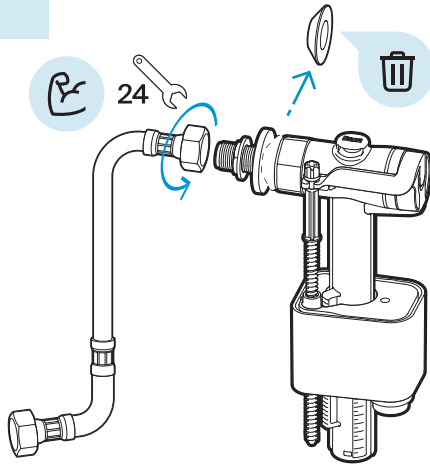
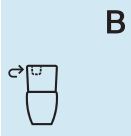
2



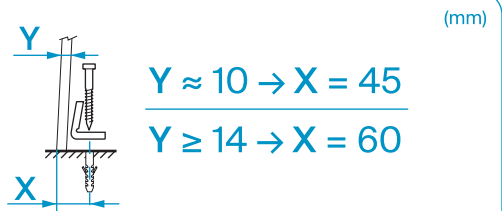
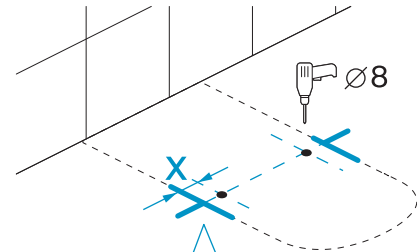
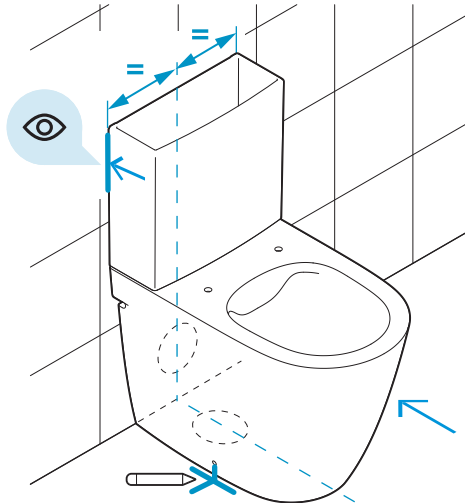
3



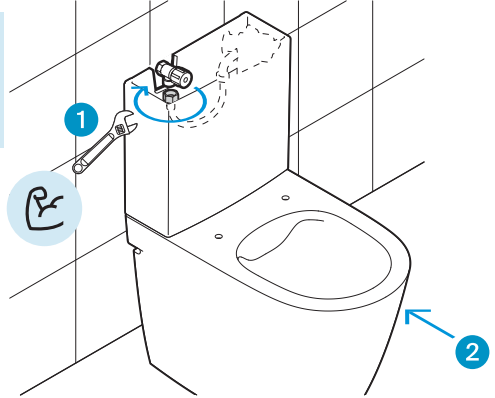
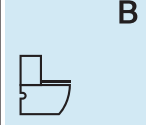
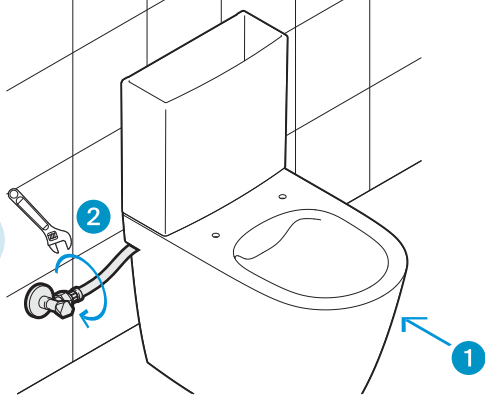
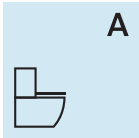
! Check that all inlet valve and outlet valve nuts are tight.



4



5

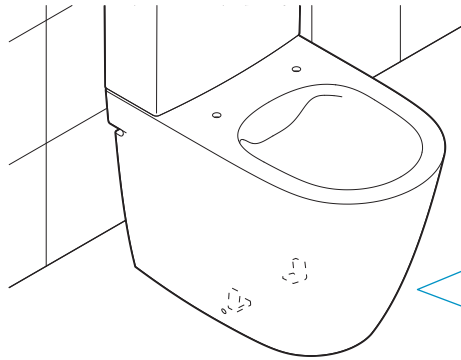


For bottom inlet flex hose and stop not supplied.

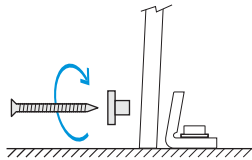


DO NOT SUBMERGE HOSE IN WATER

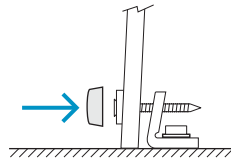
6



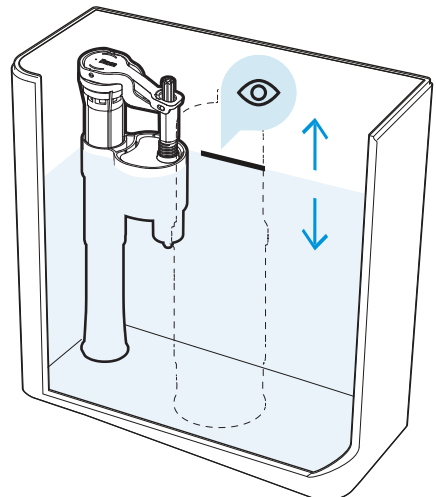
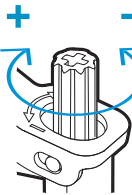
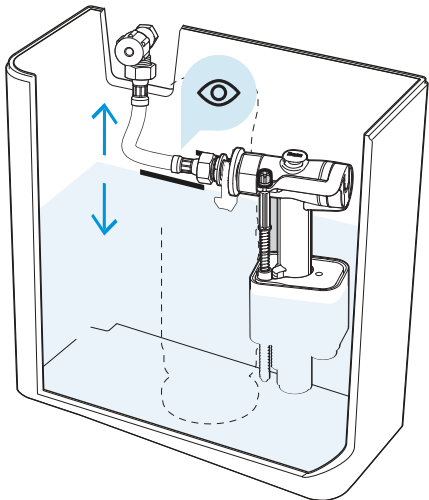
1



2

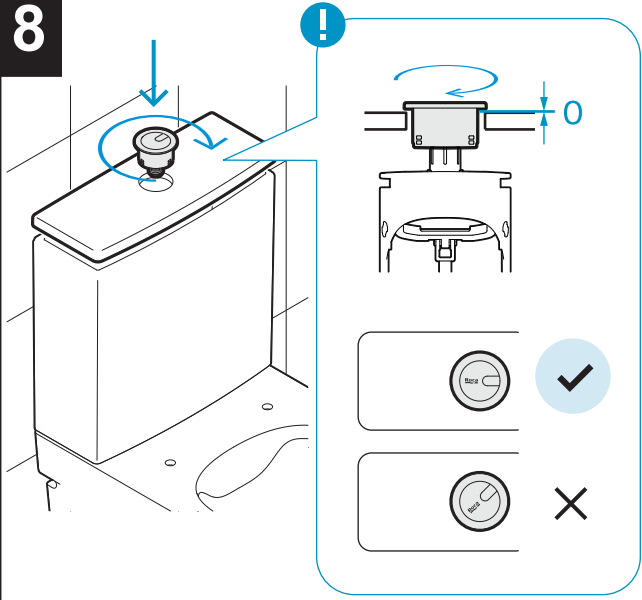


7

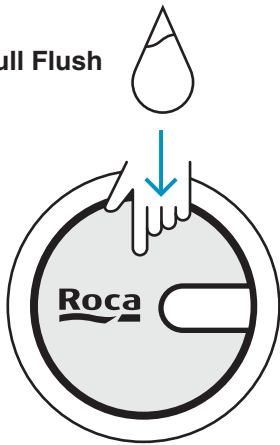


DO NOT SUBMERGE HOSE IN WATER

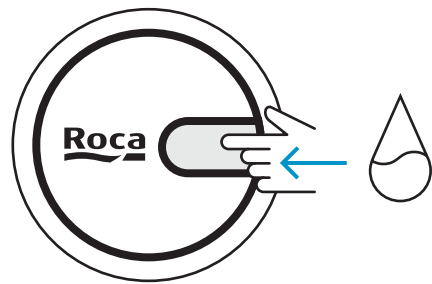
8

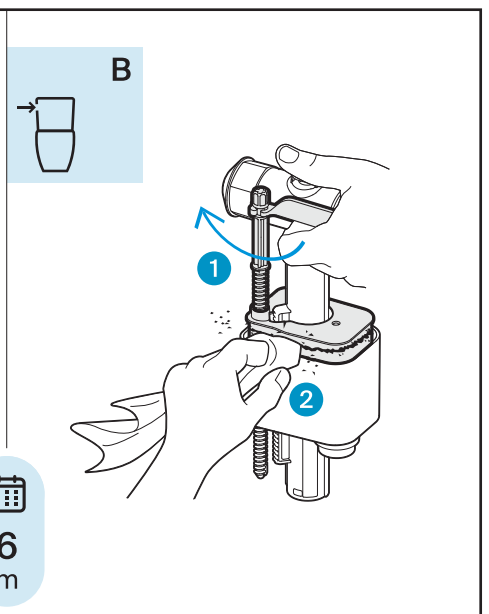
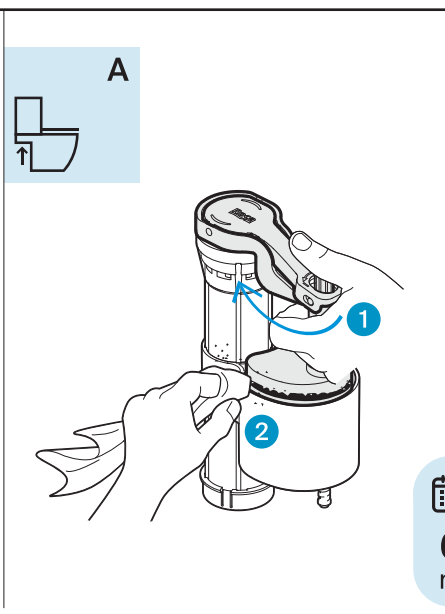
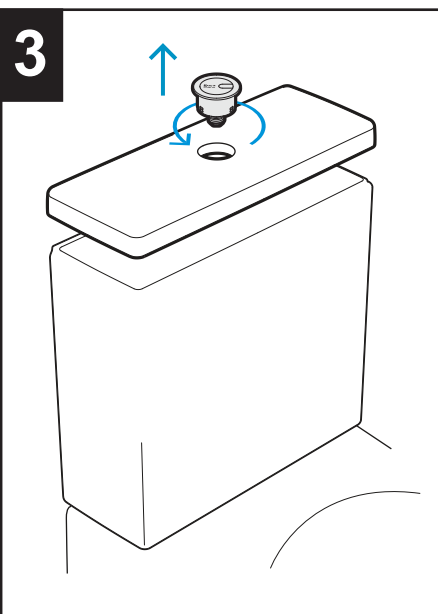
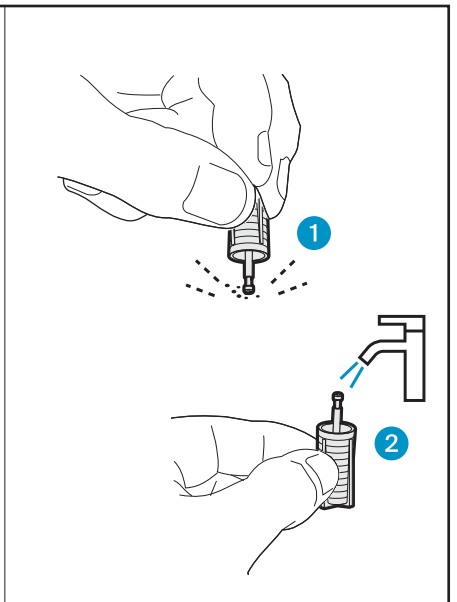
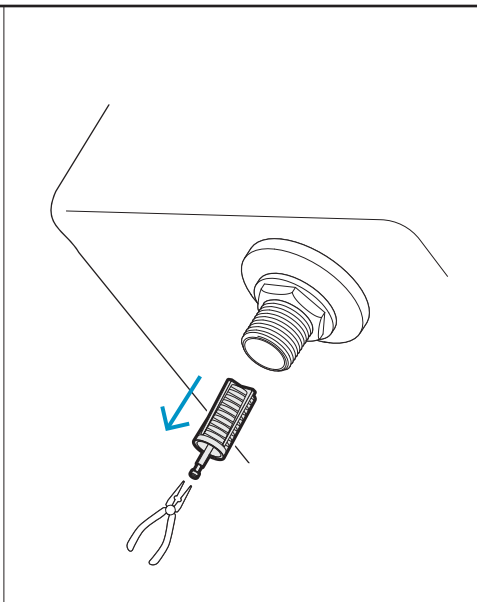
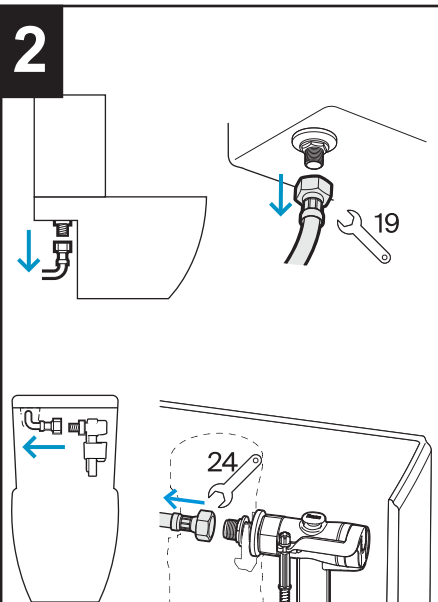
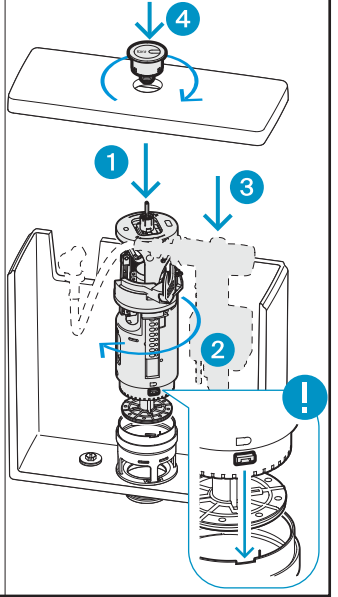
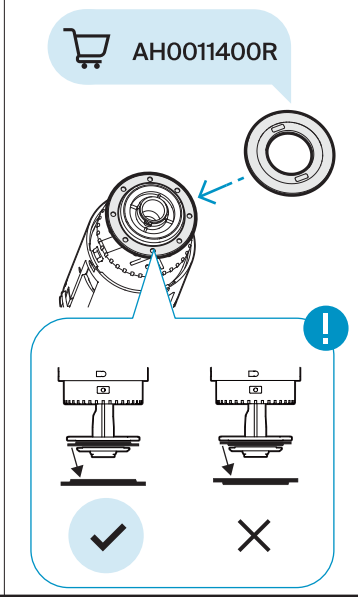
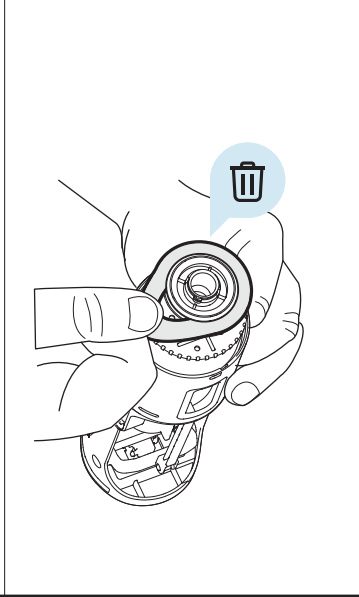
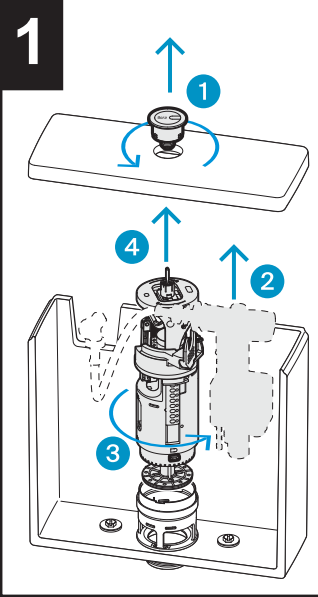


Full Flush



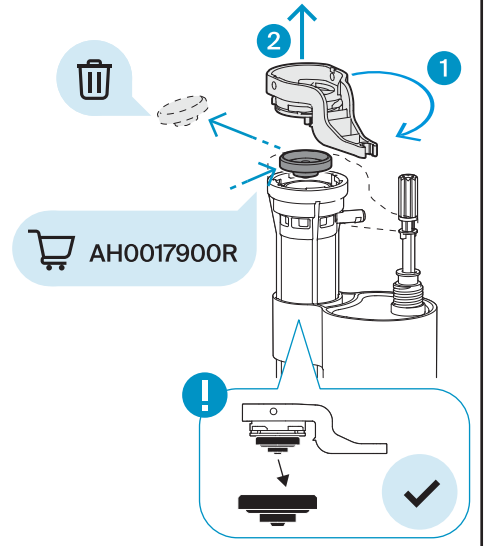
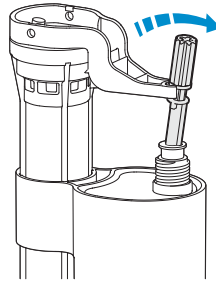
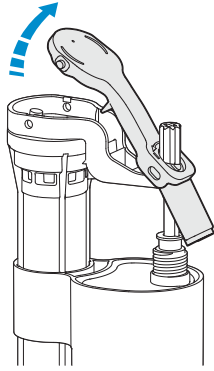
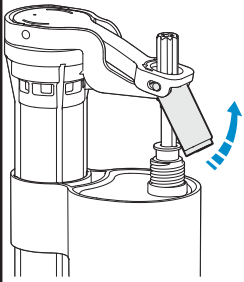
Half Flush





6 m

4



Date 11/07/2024

Roca Sanitario, S.A.
Avda. Diagonal, 513
08029 Barcelona
SPAIN
www.roca.com

933 LÍNEA DE ATENCIÓN
661 AL CONSUMIDOR
266 ESPAÑA

SERVICIO TÉCNICO
ESPAÑA




productsupport.rs@roca.net
soporteproducto.rs@roca.net



A392503000-I