



Base Vanity Basin 560 x 480mm



1 Taphole
9500799



3 Taphole
9500800

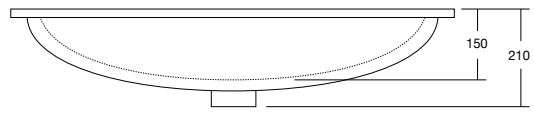
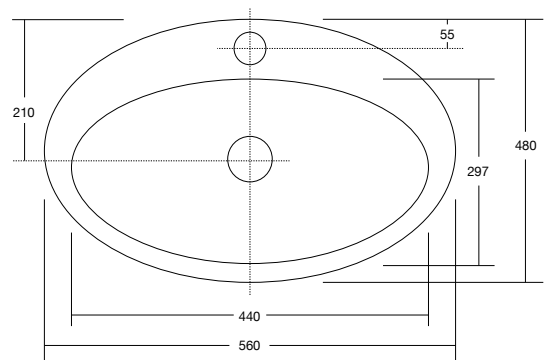
SPECIFICATIONS

Recommended Use	Domestic, Hotel & Commercial
Material	Vitreous China
Colour	White
Bowl Capacity	6.5 Litres
Weight	8kg
Fixing	Waterproof Sealant (not supplied)
Taphole Configuration	1 & 3 Taphole
Overflow Configuration	Overflow
Waste Size	32x40mm
Plug & Waste	Sold Separately
Tapware	Sold Separately

WARRANTY

Warranty - Domestic Use	12 Months
Spare Parts & Labour	12 Months

Please refer to Warranty Page for full Terms and Conditions



Dimensions same for 1 & 3 Taphole.

CLEANING RECOMMENDATIONS

We recommend the use of soapy water or approved cleaners.
 This product should not be cleaned with abrasive materials.
 Damage caused by any improper treatment is not covered by the product warranty - refer to Warranty Conditions.

Dimensions are nominal measurements only.

Disclaimer: Products in this specification manual must by regulation be installed by licensed and registered trade people. The manufacturer/distributor reserves the right to vary specifications or delete models from their range without prior notification. Dimensions are nominal measurements only. Dimensions and set-outs listed are correct at time of publication however the manufacturer/distributor takes no responsibility for printing errors.

Published 06/07/2020

