



Backflow Prevention

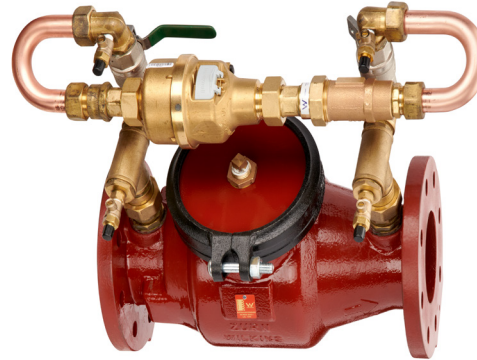
310 Series SDCV 100-200mm



LEAD FREE

Application

Designed for installation on water lines in fire protection systems to protect against both backsiphonage and back-pressure of polluted water into the potable water supply. Assembly shall provide protection where a potential hazard exists (Low Hazard).



Standards Compliance

Australian Watermark and Standards Mark
UL Classified
FM Approved

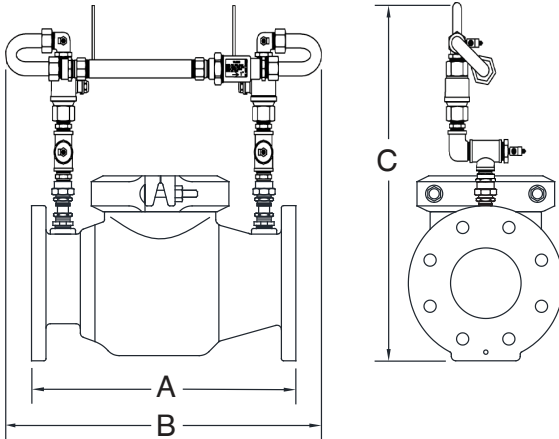


Materials

Main Valve Body	Ductile Iron
Access Covers	Ductile Iron
Coatings	Epoxy
Fasteners	Stainless Steel
Internals	Stainless Steel, NORYL
Elastomers	EPDM, Buna Nitrile
Springs	Stainless Steel

Operating Parameters

Max. Working Water Pressure	1200kPa
Max. Working Temperature	60°C
Hydrostatic Test Pressure	2400kPa
End Connections	Flanges to AS2129

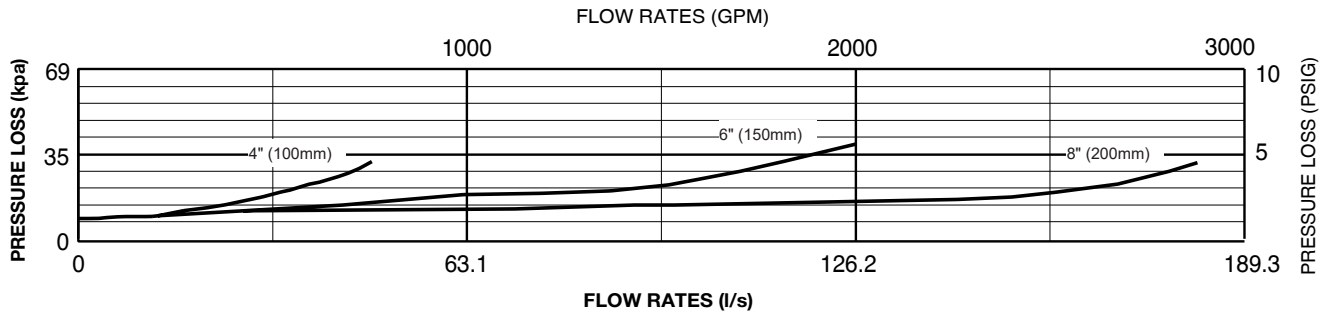


Dimensions & Weights (do not include pkg.)

VALVE SIZE mm	BYPASS	FLANGE TYPE	REECE CODE	ZURN CODE	DIMENSIONS			WEIGHT kg
					A mm	B mm	C mm	
100	SPACER	TABLE E	1000611	SE100-310DAL25T(FL)	419	552	723	20.3
100	METER	TABLE E	1000626	YVW100-310DAL25T(FL)	419	552	723	20.3
150	SPACER	TABLE E	1000613	SE150-310DAL25T(FL)	572	705	530	50.9
200	METER	TABLE E	1000628	YVW150-310DAL25T(FL)	572	705	530	50.9

Flow Characteristics

MODEL 310 100mm, 150mm & 200mm (STANDARD & METRIC)



Note: The pressure losses depicted in the tables are for the device only and not the complete assembly.

Typical Installation

Local codes shall govern installation requirements. Unless otherwise specified, the assembly shall be mounted at a minimum of 12" (305mm) and a maximum of 30" (762mm) above adequate drains with sufficient side clearance for testing and maintenance. The installation shall be made so that no part of the unit can be submerged.