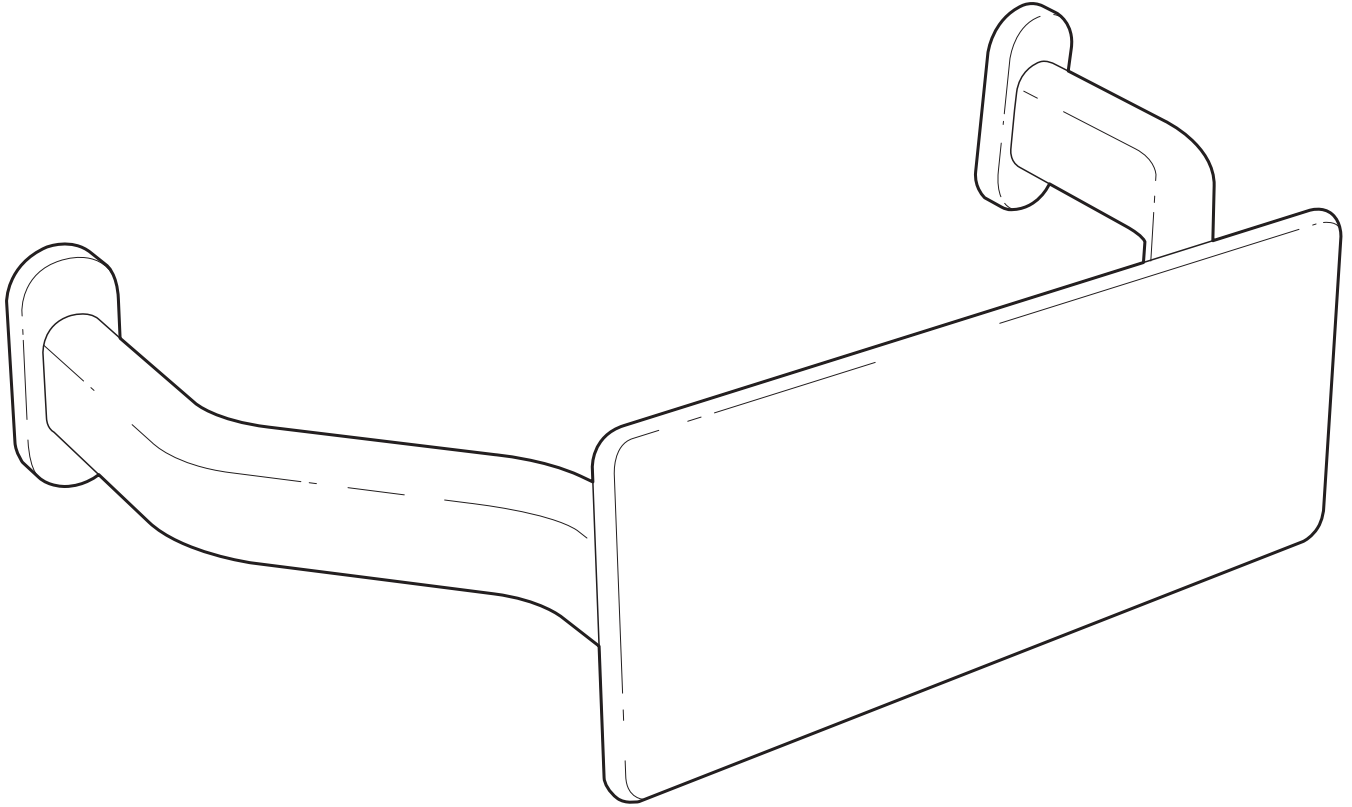


mizu

Drift Backrest



Installation Instructions

Important

This product must be fitted to a solid wall or suitably reinforced wall framing structure in order to meet 1100N force requirement of AS 1428.1.

Important

Fixings provided are for use with solid walls only. It is the installers responsibility to ensure correct fixings are used with any other wall type.

Important

Clean with mild detergent or clear liquid cleansers. Wipe dry with a clean soft cloth.

Important

Do not use steel wool or any abrasive cleansers.

Important

Avoid prolonged exposure to any chemical solution containing chlorides or acids. Surface damage caused by acids will void warranty.

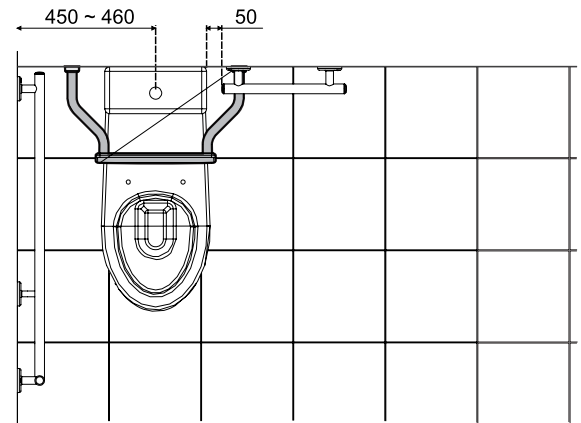
mizu

Drift Backrest

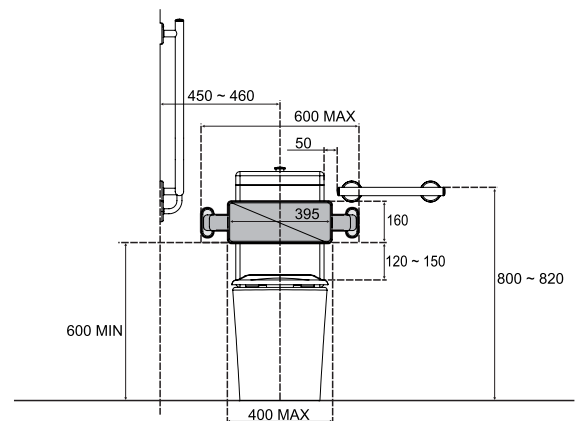
Installation

Note: Mizu backrests provide support for persons requiring assistance in bathrooms, showers and toilets. Ideal for aged care, hospitals and public facilities, components are fabricated from 304 Stainless steel and comply with AS 1428.1 Design for access and mobility.

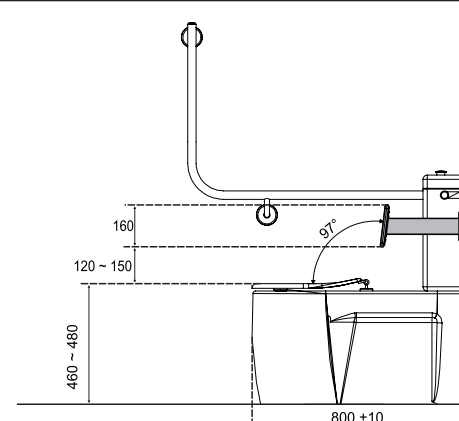
1. Check wall surface is flat and free from contaminants.
2. Loosen grub screw at bottom of oval flange cover to reveal concealed mounting plate.



3. Place mounting plate on the wall and mark location of screw holes.
4. Drill holes and insert wall plugs provided.
5. Using stainless steel screws provided, fasten until screws are fully engaged and mounting plate is firm to wall.



6. Reposition oval flange cover on mounting plate and tighten grub screw to secure Backrest.



Care Details

We recommend the use of soapy water or approved cleaners. This product should not be cleaned with abrasive materials. Damage caused by any improper treatment is not covered by the product warranty. Refer to Warranty Conditions

Plumbers, please ensure a copy of the installation instruction is left with the end user for future reference.

