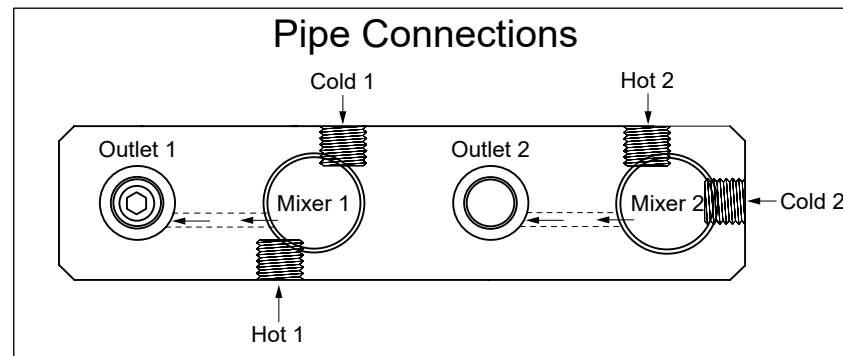
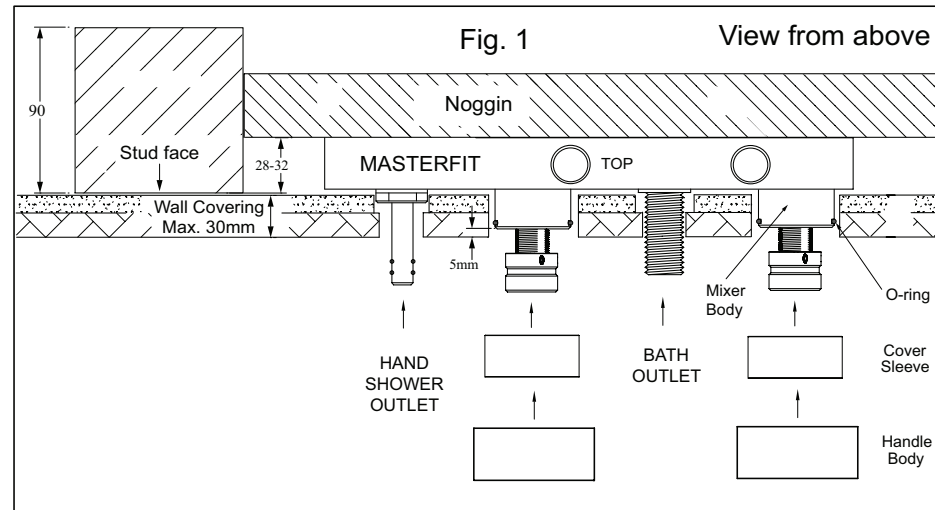


Progressive Bath Mixer Systems w HandShower



Product codes:

MPPBMSHS160
MPPBMSHS200
MPPBMSHS250

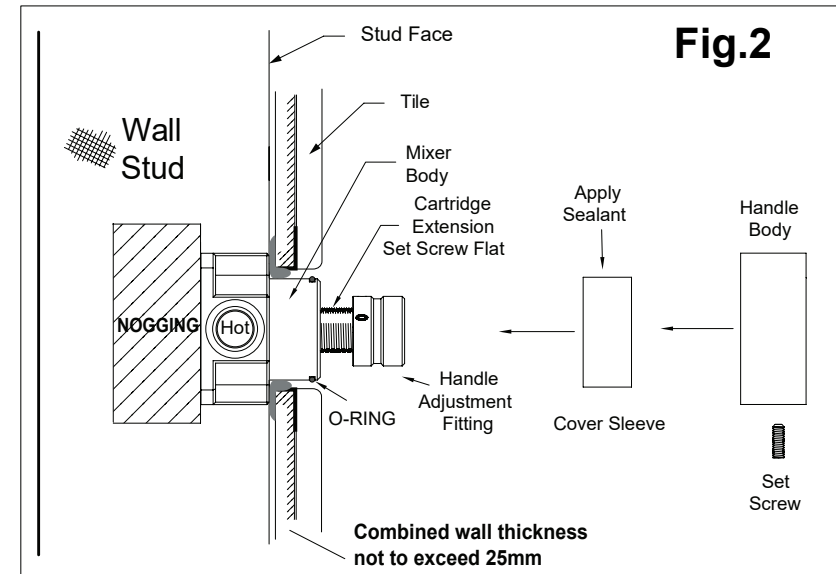
PURE PROGRESSIVE BATH MIXER SYSTEM W HANDSHOWER 160 ELEMENTAL
PURE PROGRESSIVE BATH MIXER SYSTEM W HANDSHOWER 200 ELEMENTAL
PURE PROGRESSIVE BATH MIXER SYSTEM W HANDSHOWER 250 ELEMENTAL

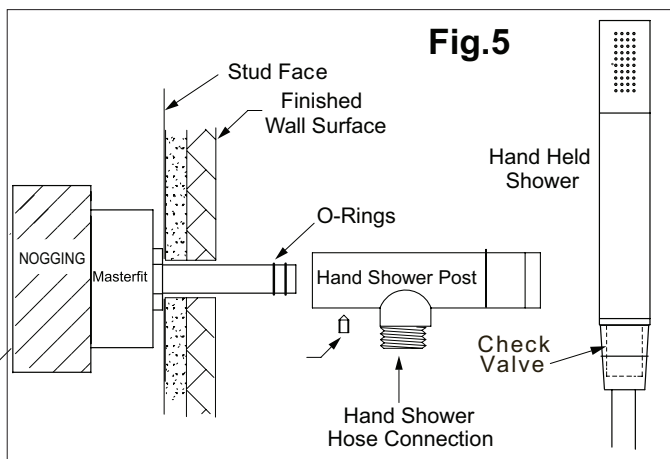
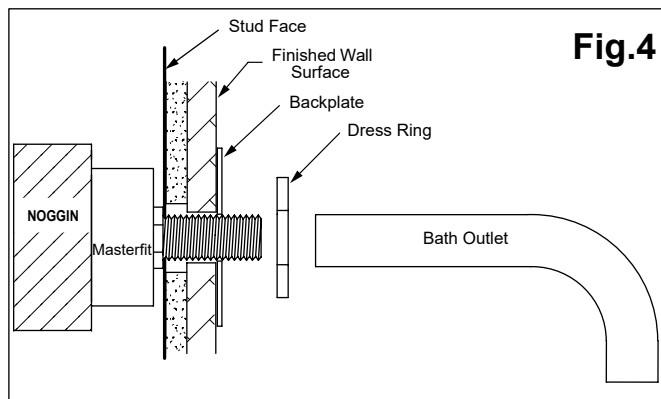
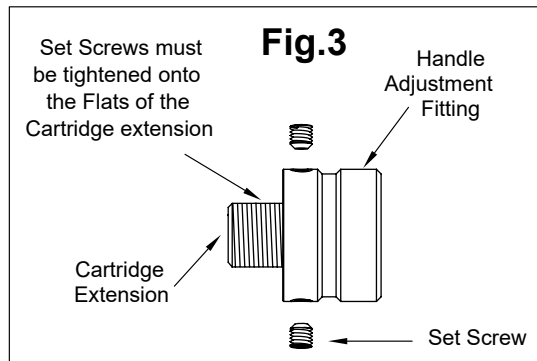
Rough In:

- Prior to installing, calculate the finished wall thickness to ensure enough adjustment is available when fitting the Handle.
- The Masterfit is supplied with a plastic cover to protect the Mixer during Plastering and Tiling.
- The Hot/Cold Ports are marked on the shoulder of the Masterfit body to indicate the correct connection.

Note: Do not cross Hot/Cold connections from Mixer 1 to Mixer 2 (See Pipe Connections)

- Set a Nogging between 28 - 32mm back from the face of the wall stud. (see Fig.1).
- Using the screws provided, fix the Mixer to the Nogging.
- Ensure the Masterfit is aligned square and well secured.
- Flush all water feed lines. Pipes and fittings must be free from any dirt and debris before connecting to the Mixer.
- Once all water fittings are connected, check Hot/Cold water flow by operating the Mixer.
- Check for any water leaks.
- Once all checks have been made, leave the Mixers in the closed position and replace the protective cover.
- Store remaining parts in a safe place until wall coverings have been completed and final fit-off is required.





Fit Off and Handle Adjustment:

- Prior to fit off ensure the correct size cut out around the Mixers (100mm centres) has been achieved.(see Fig.1)
- Remove the protective Cover from the Mixer. Ensure the O-ring is intact and the installation is clean and free from any debris.
- Push the Cover Sleeve over the O-ring, leave a minimum of 3-5mm protruding from the finished wall. Apply sealant between the sleeve and wall.
- Fit the Handles onto the Adjustment Fitting.
- If adjustment is required, remove the Handles and loosen the Set Screws of the Adjustment Fitting.
- Wind the Adjustment Fitting to reduce or increase the gap between the Wall and the Handle. (see Fig.2)
- NOTE: Extensions may be acquired if correct installation can not be achieved.(Contact manufacturer)
- Once the gap from the Wall to the Handle is between 2-3mm, remove the Handle and tighten the Set Screws of the Adjustment Fitting.
- When securing the Handle adjustment Fitting, ensure the Set Screws are tightened onto the flats of the Cartridge Extension. (see Fig.3)
- Do not tighten the Set Screws on the threads of the Cartridge Extension.
- Fit the Handle so the Set Screw is positioned at the bottom.(tighten well)
- Note the Set screw must engage in the groove of the Adjustment Fitting.

Outlet Fit Off (See Figure 4):

- Apply sealing tape (Teflon) to male thread.
- Place Dress Ring over prepared male thread.
- Fit and align the Outlet.
- To complete installation, operate the Mixer(s) checking the flow of both hot and cold water from the Outlet.
- Check all fittings and fixtures for water leaks

Hand Shower Fit Off (See Figure 5):

- Apply a small amount of grease to the O-rings of the fitting.
- Carefully fit the Hand Shower Post.
- Secure the Hand Shower Post by tightening the Set Screw.
- Connect the Hand Shower Hose to Post.
- To complete installation, operate the Mixer(s) checking the flow of both hot and cold water from the Outlet. Check all fittings and fixtures for water leaks.

Plumbers note:

On-site high pressure line testing must be conducted with the Mixer in the closed position. (STATIC TEST ONLY)
Under no circumstances is the Mixer to be opened when exceeding the maximum stated water pressure.
At the completion of the testing, do not relieve any high pressure by opening the Mixer.