

Posh Solus MK3 Shower Mixer with Extended Lever

Mixer must be installed to the requirements of AS/NZS 3500 by a qualified plumber. Your mixer comes to you already factory assembled and tested. We do not recommend the dismantling of any internal part of the mixer. The mixers are factory tested and sealed so as to give the best performance.

Installer is responsible for ensuring water connections to the mixer body are watertight.

INSTALLATION REQUIREMENTS:

1. Flush out new pipe work prior to connecting the new mixer.
2. Mixer body (7) must be installed onto a noggin or mounting plate in the wall and be fixed using suitable mounting screws (not supplied). Provisions must be made by the installer to ensure the mixer body (8) is mounted vertically level.
3. Hot water supply must be connected to the 'H' marked inlet and the cold-water supply must be connected to the 'C' marked inlet.
4. Mixer body must be installed with the outlet facing upwards. For bath spout outlet connections, pipe work must be redirected around the mixer body.
5. If installing the mixer to a bath, then outlet must point upward, and water line must be toward the shower.
6. Cover plate (2) is designed to sit flush when the mixer body is installed to a level finish wall.
7. After the cover plate (2) has been fitted, assemble the handle (1) using a 1.5 mm Allen key and fit the diverter (6) to the diverter socket.

NOTE:

- **Mixer must be installed only with pressurised hot water storage and instantaneous water systems only**
- **Tile dome and diverter tile plug must only be removed when it's time to fit the cover plate, handle and diverter**

SERVICING - REPLACEMENT OF CARTRIDGE:

1. Disassemble the handle (1) from the mixer body by removing the locking grub screw cap and unscrewing the locking grub screw with a 1.5 mm Allen key.
2. Unscrew the cartridge dome (3) and use a wrench to unscrew the cartridge locknut (4).
3. Remove and replace the mixer cartridge (5). Reassemble the locknut (4), cartridge dome (3) and handle assembly (1).
4. Test reassembled mixer for leaks.

CLEANING RECOMMENDATIONS

We recommend the use of soapy water or approved cleaners.

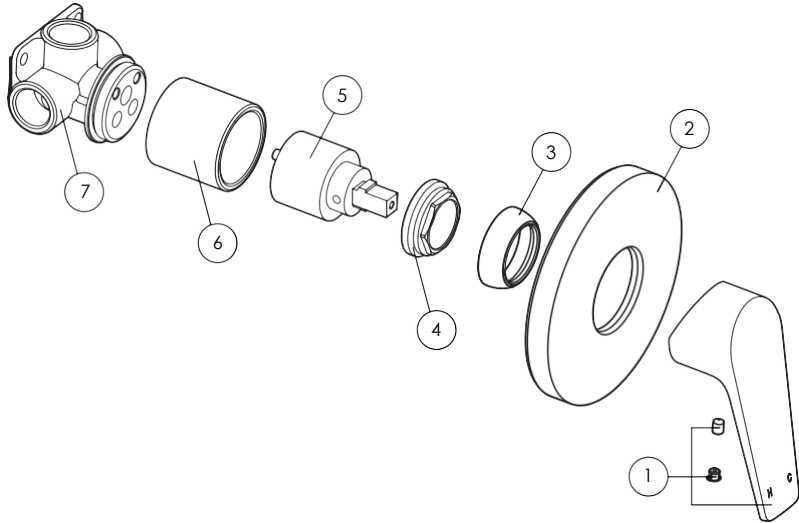
This product should not be cleaned with abrasive materials.

Damage caused by any improper treatment is not covered by the product warranty - refer to Warranty Conditions.

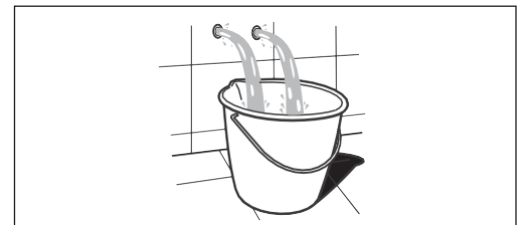
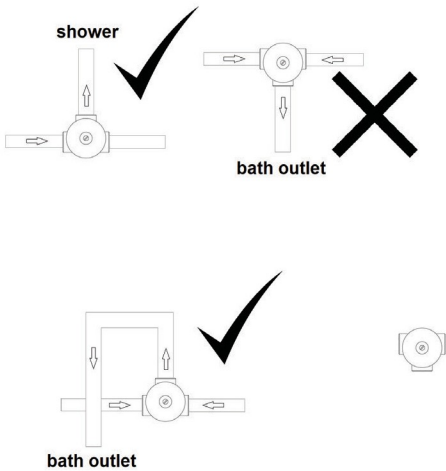
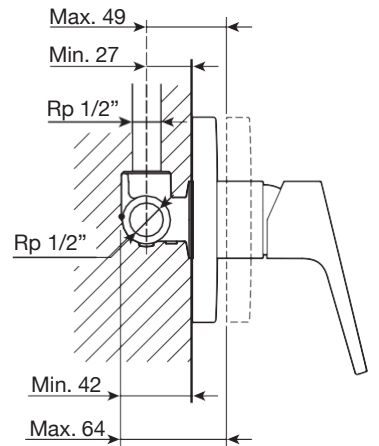
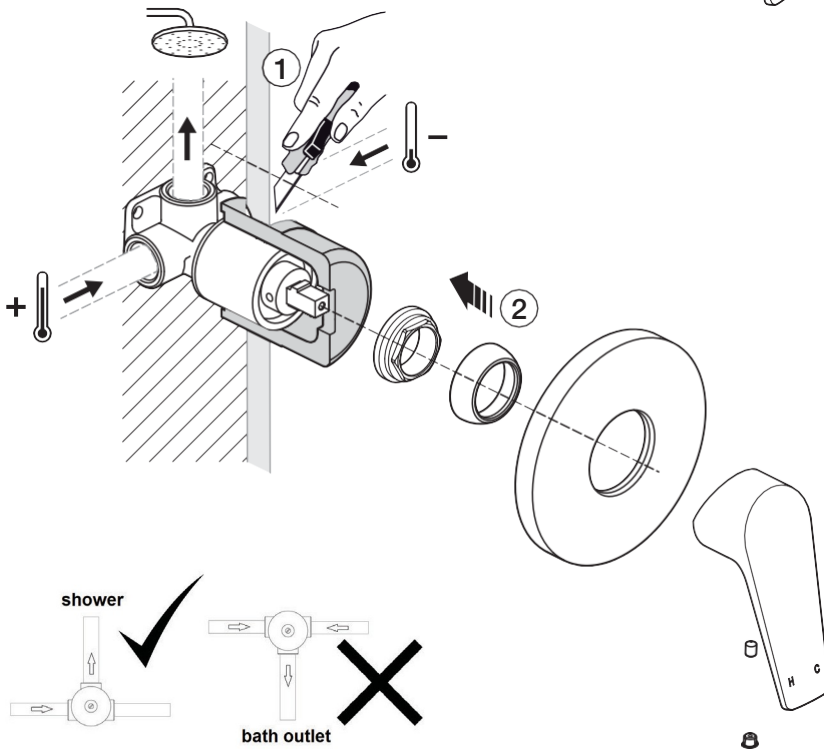
Please ensure a copy of the installation instructions is left with the end user for future reference.

Posh Solus MK3 Shower Mixer with Extended Lever

EXPLODED DIAGRAM:



Number	Part	Code
2	Handle complete	2250686
	Handle complete for 200mm	9509106
	Handle complete for 270mm	9509107
2	Cover plate	2250687
3	Cartridge dome	
4	Cartridge locknut	
5	Cartridge	2250688
6	Cartridge sleeve	
7	Mixer body	



	P	P bar	MIN. 0,5	MAX. 10	5	
	T	°C	-80	MAX.	-65	

Please ensure a copy of the installation instructions is left with the end user for future reference