

American Standard SpaLet® E-bidet

SPECIFICATIONS

Recommended Use	Domestic, Hotel & Commercial
Material	Polypropylene
Colour	White
Weight	5.9kg
Power supply height	Minimum 300mm from floor level
Pressure Rating	500kPa maximum

Key features:

- Anti-bacterial surface on control panel
- Adjustable seat and water temperature
- Adjustable dryer temperature
- Dual nozzle
- One touch power saver

Warranty

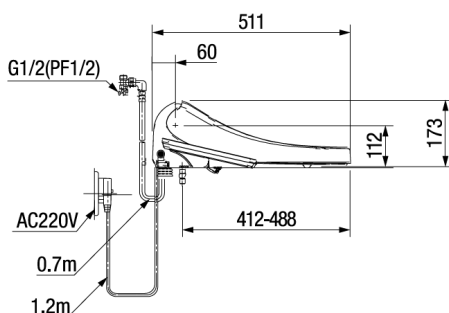
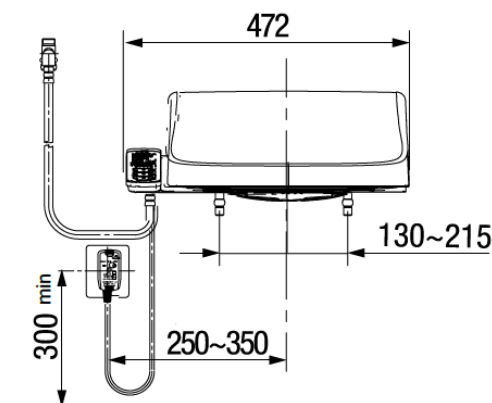
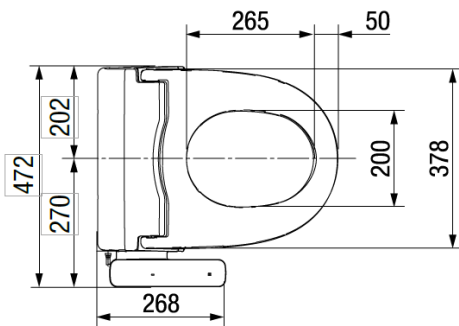
Warranty - Domestic Use	2 years
Spare Parts & Labour	12 Months

To be installed in accordance with

- AS/NZS 3500
- AS/NZS 3000

All applicable regulations

Please refer to Warranty Page for full Terms and Conditions



Dimensions are nominal measurements only.

Disclaimer: Products in this specification manual must by regulation be installed by licensed and registered trade people. The manufacturer/distributor reserves the right to vary specifications or delete models from their range without prior notification. Dimensions are nominal measurements only. Dimensions and set-outs listed are correct at time of publication however the manufacturer/distributor takes no responsibility for printing errors.

Published

