

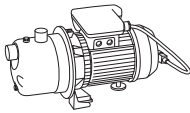
# DIGITAL WATER SWITCHING UNIT

## SPEC SHEET



### COMPATIBLE WITH:

- VADA FLOW BOSS JET PUMP  
VFB-J40  
VFB-J60  
VFB-J90



- VADA FLOW BOSS SUBMERSIBLE PUMP  
VFB-S35

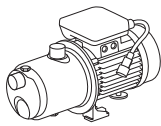


### INCLUDES:

- FLOAT SWITCH



- VADA FLOW BOSS HORIZONTAL MULTISTAGE PUMP  
VFB-HM80  
VFB-HM110

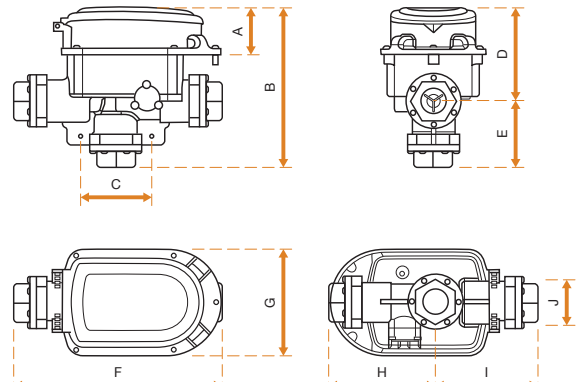


- VADA FLOW BOSS SUBMERSIBLE PUMP  
VFB-S75



### PRODUCT DIMENSIONS:

- A. 52mm
- B. 181mm
- C. 80mm
- D. 106mm
- E. 75mm
- F. 235mm
- G. 119mm
- H. 120mm
- I. 115mm
- J. Ø48mm

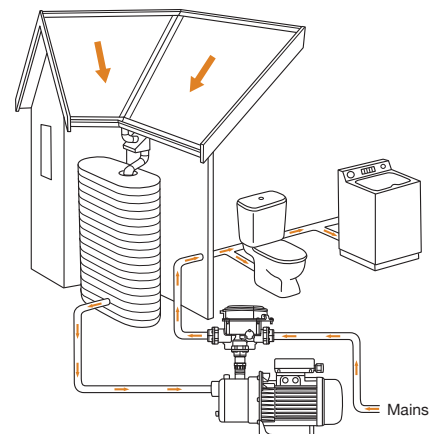


### APPLICATIONS:

The Vada Flow Boss Digital Water Switching Unit is suitable for the following applications:

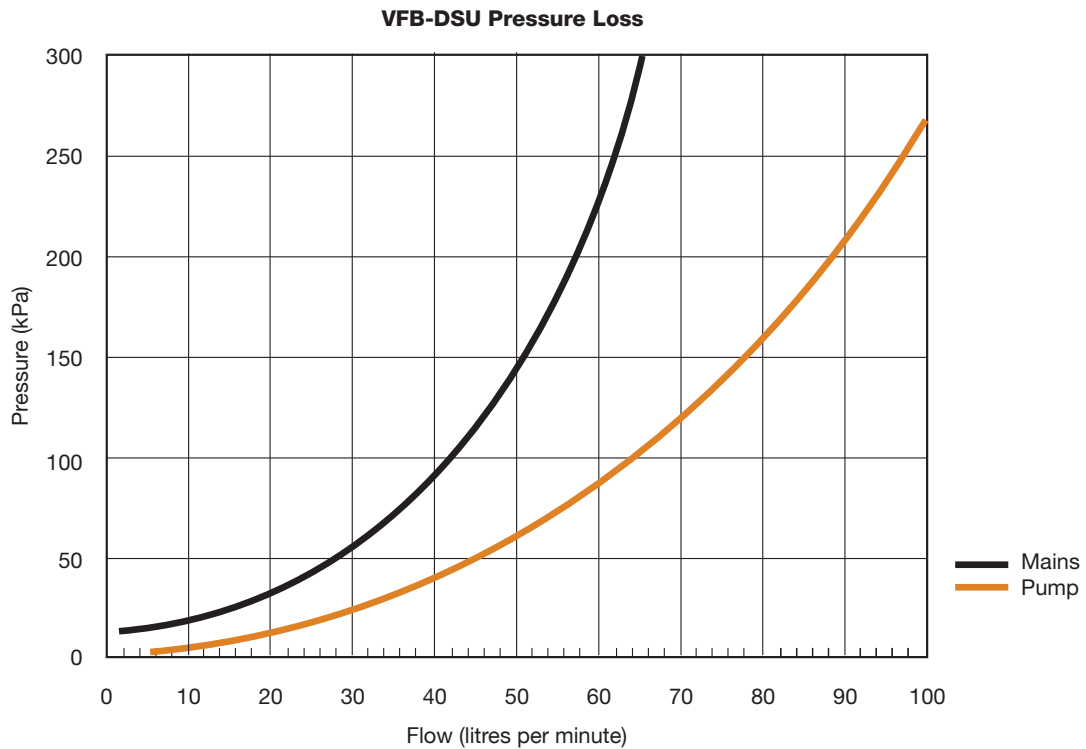


Water source switching (tank/main)





## PERFORMANCE CURVE



SPECIFICATIONS	
Supply voltage	1~230–240 50Hz
Max electrical load	10A / 2400W
Power standby	3.5W
Control power (on)	30W
IP rating	IP44
Min flow rate	1lpm
Min mains pressure	1 bar
Max operating pressure	10 bar
Min–max water temperature	1°C–40°C
Min–max ambient temperature	1°C–40°C

CONNECTION	
Mains water supply inlet	25mm FI BSP
Pump connection	25mm FI BSP
Water outlet connection	25mm FI BSP

AS/NZS 4020 compliance.