

KADO

LUX PETITE - STANDARD BENCHTOP



SPECIFICATIONS

Recommended Use	Domestic, Hotel and Commercial
Vanity Top Material	Cherry Pie (20mm) or Durasein (12mm). Joy Basin included, available in Gloss or Matte White. For more information please refer to the Colour Finish and Material Variations Document.
Vanity Unit Material	MDF MR E0 (Medium Density Fibreboard, Moisture Resistant, Rated Emission Level E0)
Vanity Colour Variations	Matte White, Matte Feather Grey, Matte Milton Moon Grey and Matte Black polyurethane. (Custom polyurethane colours available, incurs a surcharge). For more information please refer to the Colour Finish and Material Variations Document.
Interior Finish	Graphite Grey
Tap Hole Availability	0 or 1 Tap Holes
Waste	Chrome Universal Plug & Waste 40mm Outlet (included). Space Saver Plumbing Kit included.
Fixing	Bolted/Screwed to the wall by a licensed tradesperson-Fixings not included.
Door(s)	Soft-Close doors. 400mm available left or right hand hinged.
Handle Options	92mm Cross Bar Handles available in <i>Chrome, Matte Black, Matte White, Brushed Nickel, Polished Rose Gold Polished Gold or Brushed Gold.</i> 60mm Blaze Handles available <i>Matte Black, Brushed Nickel, Matte White, Brushed Brass.</i> Seashell Handle available <i>Chrome, Brushed Nickel, Matte Black and Brushed Brass.</i>
Options	Available in Wall Hung or Floor Mount.



Space Saver
Plumbing Kit included

To see the complete KADO range go to
www.reece.com.au/bathrooms

STANDARD SIZES	400mm Wall Hung	400mm Floor Mount	600mm Wall Hung	600mm Floor Mount	900mm Wall Hung	900mm Floor Mount
Width (mm)	400	400	600	600	900	900
Depth (mm)	250	250	250	250	250	250
Height (mm)	440/432	850/842	440/432	850/842	440/432	850/842
Cherry Pie/Durasein						
Number of Doors	1	1	2	2	2	2
Basin Configurations	Centre	Centre	Centre / Offset	Centre / Offset	Centre / Offset	Centre / Offset

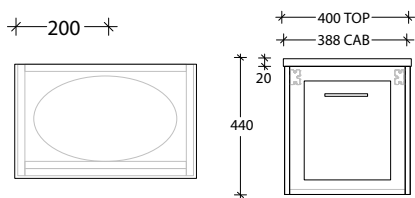
Disclaimer: Products in this specification manual must by regulation be installed by licensed and registered trade people. The manufacturer/distributor reserves the right to vary specifications or delete models from their range without prior notification. Dimensions are nominal measurements only. Dimensions and set-outs listed are correct at time of publication however the manufacturer/distributor takes no responsibility for printing errors.

Tech Page Version 1

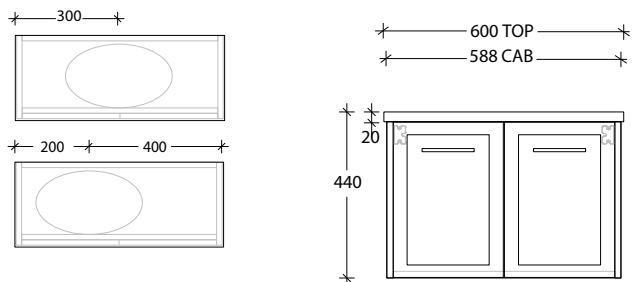
KADO

LUX PETITE - STANDARD BENCHTOP

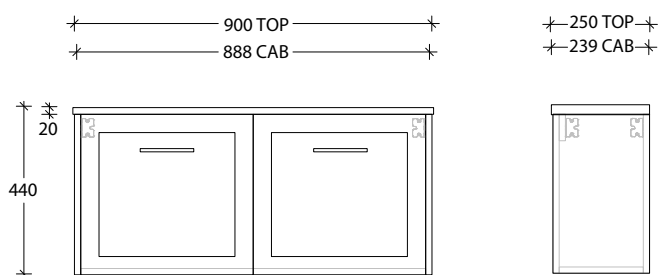
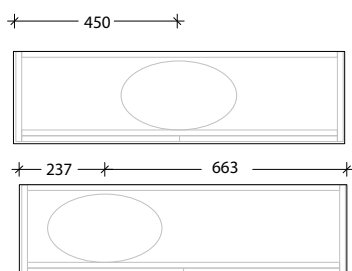
400mm Centre, Wall Hung



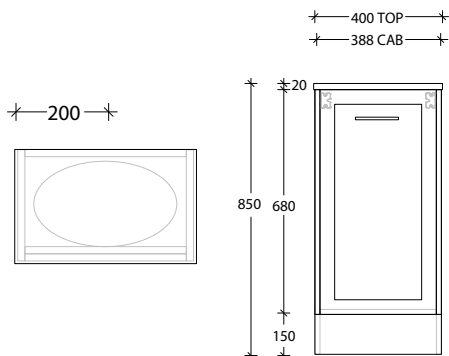
600mm Centre / Offset, Wall Hung



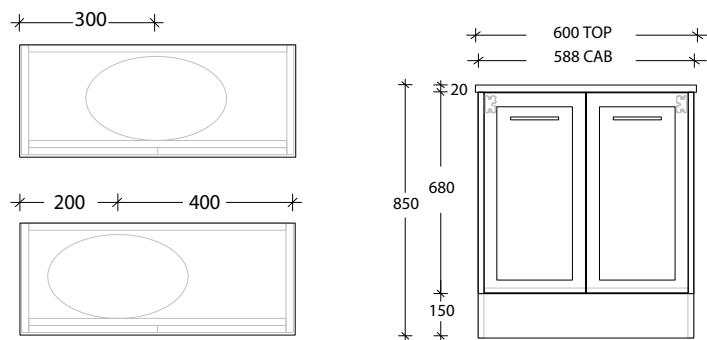
900mm Centre / Offset, Wall Hung



400mm Centre, Floor Mount



600mm Centre / Offset, Floor Mount



900mm Centre / Offset, Floor Mount

