

ROCA THE GAP WALL HUNG BIDET ONLY

INSTALLATION INSTRUCTIONS

Note:

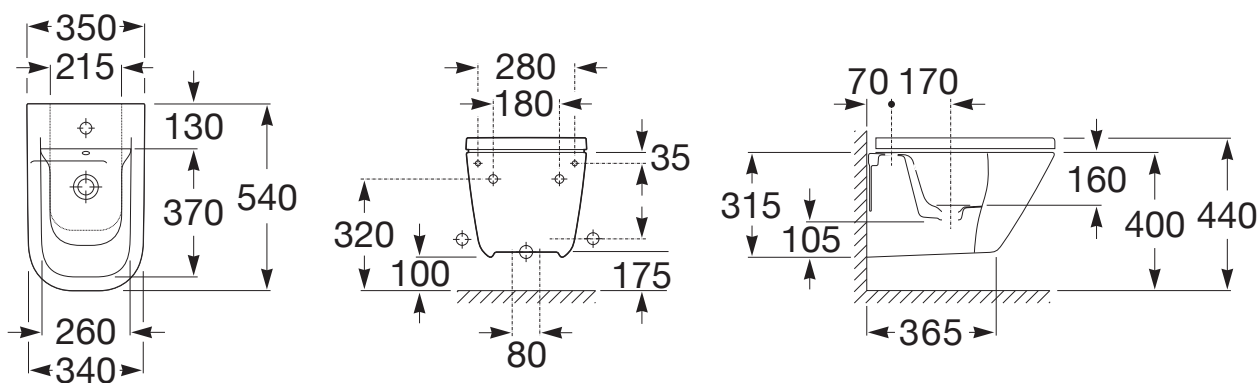
Installation of this Bidet requires:

Hidden Insert Bidet Brackets (supplied)

Also may be required - either of the Wall Brackets below (not included)

1852030 - Wall Hung Pan Cavity Wall Bracket

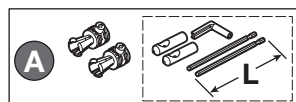
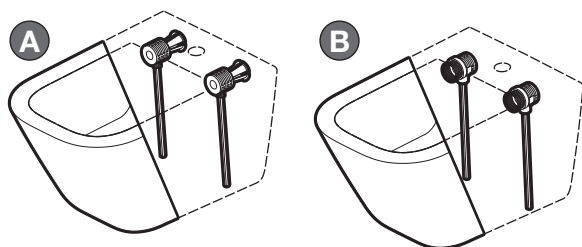
1852031 - Wall Hung Pan Solid Wall Bracket



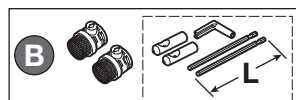
Dimensions are nominal measurements only.

Plumbers, please ensure a copy of the installation instructions is left with the end user for future reference.

HIDDEN FIXATION BIDET



L [mm]	Ref.
208	AV0027200R
178	AV0035800R
143	AV0030800R



L	Ref.
208	AV0034800R
143	AV0034900R

