



APPLICATIONS



TOILET



HAND BASIN



BATH



SHOWER



WASHING MACHINE



DISH WASHER



KITCHEN SINK

# Sanicubic<sup>®</sup> 2 Pro WP

The Sanicubic<sup>®</sup> 2 Pro WP is a high performance macerating lifting station for commercial and intensive residential use. Twin motor load balanced system utilising high performance stainless steel cutter technology and IP68 submersible rating.



WMTS 106:2019  
Certificate No. 23048  
Manufacturer: SFA  
Brand: Saniflo

Product Reference:  
SA104



### WHY CHOOSE THIS PRODUCT?

Ideal for busy business environments and larger domestic situations

Tough, reliable macerator pump

New design with easily removable motor for servicing and maintenance

Load balanced twin macerator pumps for a failsafe system

Alternate activation ensures even wear of motors

Two alarms for ultimate safety - hard-wired alarm plus remote wireless alarm

Centre heights of inlets 140 mm

Working temperature of 35°C. Will handle up to 70°C for short periods.

IP68 rated

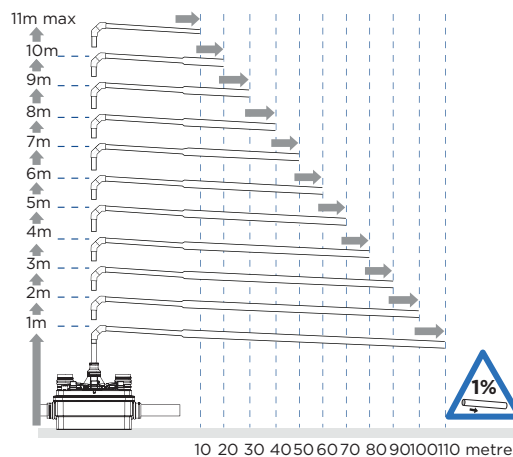
Can be connected to a Building Management System

Base of pump needs to be minimum 275 mm below lowest fixture

Allow 200 mm clearance around pump for maintenance purposes

### VERTICAL/HORIZONTAL PERFORMANCE

Increase size of horizontal run by one pipe size after 5m.  
All horizontal pipework requires a minimum of 1:100 fall.



Note: Isolation valves should be fitted to the inlet pipework and discharge pipework to isolate the unit for servicing.



Shaking up water

Made in France to the highest standards, needs to be installed by a licensed plumber



## APPLICATIONS



TOILET



HAND BASIN



BATH



SHOWER



WASHING MACHINE



DISH WASHER



KITCHEN SINK

SANICUBIC 2 PRO WP

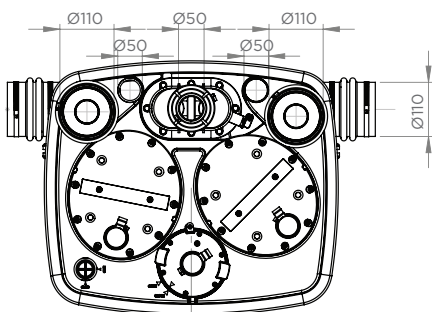
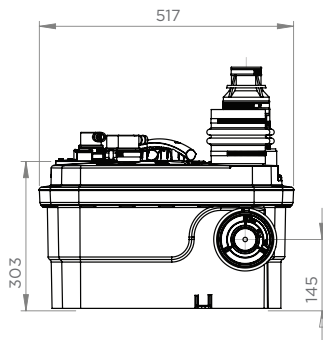
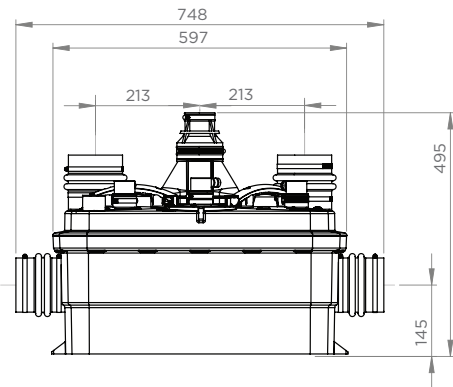
## TECHNICAL CHARACTERISTICS

<b>Discharge Pipework</b>	40 mm
<b>Motor Power</b>	1500 Watts x 2
<b>Flow Rate</b>	13 m <sup>3</sup> /h
<b>Voltages</b>	220-240 V/50 Hz
<b>Tank Volume</b>	45 L
<b>Working Waste Water Temp</b>	35°C/Max 70°C (intermittent)
<b>Product Weight</b>	33 kg
<b>Overall Measurements</b>	597 x 495 x 517 mm
<b>Inlet Pipework</b>	40/50/100/110 mm
<b>IP Rating</b>	IP68
<b>Cable length for Control Panel</b>	4m
<b>Cable length for Wired Alarm Panel</b>	5m

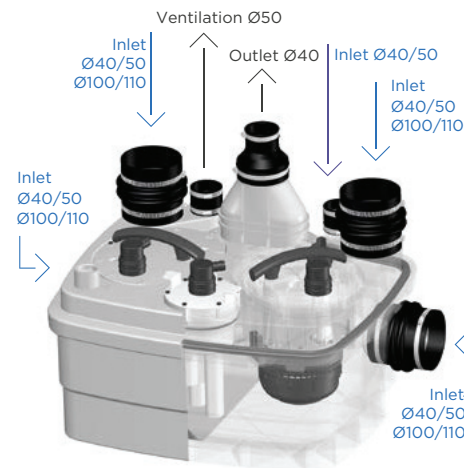
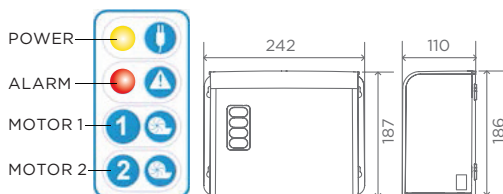


WMTS 106:2019  
Certificate No. 23048  
Manufacturer: SFA  
Brand: Saniflo

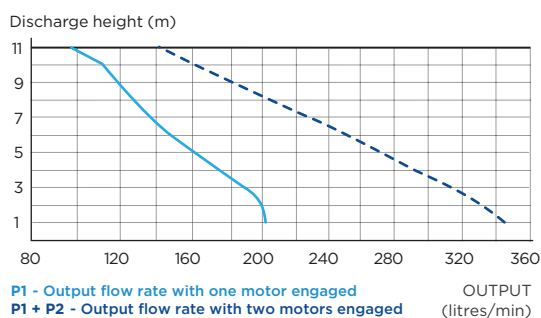
**Product Reference:**  
SA104



Externally mounted control box



## FLOW RATE PERFORMANCE CHART



Remote wireless alarm



External mounted control box



Robust blade suitable for heavy usage



Shaking up water

Made in France to the highest standards, needs to be installed by a licensed plumber