

## Neo 700 12L Offset Wall Hung Basin

### SPECIFICATIONS

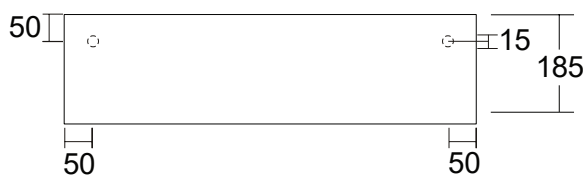
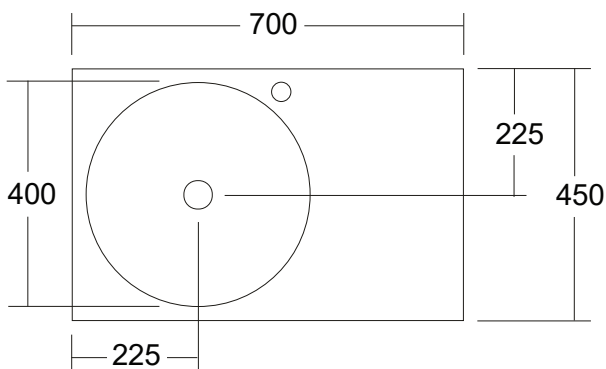
Recommended Use	Domestic, Hotel & Commercial
Material	Solid Surface
Finish	Matt
Colour	White
Basin Type	Wall Hung
Basin Configuration	Left or Right Hand Bowl
Capacity	12 Litres
Weight	21 kg
Fixing	Bolted/screwed to wall by licensed trades person. Supplied with fixing bolts. Installer to determine appropriate wall fixing.
Tap Hole Availability	0 or 1 tap hole (tapware not included) Left hand bowl, right hand tap hole Right hand bowl, right hand tap hole
Overflow	Yes
Plug & Waste	Supplied with 32-40mm Chrome Pop-up Waste
Options	White Solid Surface Waste Cap Softskin colours available



### WARRANTY

Warranty - Domestic Use 15 Years

Please refer to warranty page for full terms and conditions



Dimensions are nominal measurements only.

Disclaimer: Products in this specification manual must by regulation be installed by licensed and registered trade people. The manufacturer/distributor reserves the right to vary specifications or delete models from their range without prior notification. Dimensions are nominal measurements only. Dimensions and set-outs listed are correct at time of publication however the manufacturer/distributor takes no responsibility for printing errors.

Published 03/08/2022