

KADO

Kado Aspect Flushmount Glass Panel Heater

Please read these instructions carefully before installing and using the product. Keep the instructions handy for future reference. Electrical wiring must only be done by a licensed electrician and a "Certificate of Compliance" must be issued on completion of the installation.

WHAT'S IN THE BOX

- Heater fitted with flexible cord.
- Operating and Installation Instructions.
- One small box contains 2 sets of Brackets.
- One flush mount.
- Wall plate and switch.

SAFETY INSTRUCTIONS

During use of the infrared heater, it is necessary to observe some precautions. Improper operation with disregard of precautions may result in infliction of harm to health of the user and other people, as well as in infliction of damage to their property.

- Use only the voltage specified on the rating plate of the heater.
- This item should only be installed by a licensed tradesperson.
- The heater should be connected to the electric mains equipped with an automatic circuit breaker.
- The unit must be handled with care avoiding any sudden impacts or vibrations..

WARNING: FIRE RISK EXISTS IF THE HEATER IS COVERED BY OR POSITIONED CLOSE TO CURTAINS OR OTHER COMBUSTIBLE MATERIALS.

- Do not use the appliance areas where gasoline, paint or other flammable liquids are used or stored.
- Do not use the appliance in particularly in dusty or where explosives are stored.
- Do not use the appliance in a building site, green house, barn or in animal stables.
- Do not use the appliance as a sauna heater.
- Do not use this unit in the place of animal propagating and rising.
- Warming: Do not touch the radiating plate. Temperature of the glass during operation of the heater may reach 380 °C. To avoid burns, do not touch the appliance surface by hand and other body parts. It is also necessary to avoid touching the heater whilst the appliance is switched on, as severe burns may result. The appliance can take up to 1 hour to cool down after switching it off.
- Do not place any items of clothing, hand towels or similar over the heater to dry. Risk of overheating and fire hazard.
- Do not leave the heater unattended whilst in use.
- Do not use this heater on a wet surface, or where it can fall or be pushed into water.
- Do not reach for an appliance that has fallen into water. Switch off at supply and unplug immediately.
- If the supply cord is damaged, it must be replaced by the manufacturer, its service agent or similarly qualified persons in order to avoid a hazard.
- If the heater is defective, it must be checked and repaired by the manufacturer, its service agent or similarly qualified persons for repair.
- Do not operate appliance with wet hands.
- Use this appliance only as described in this manual. Any other use is not recommended by the manufacturer and may cause fire, electric shock or injury.
- Do not use abrasive cleaning products on this appliance. If the body becomes dirty, wipe off dust with a cloth, and the radiating boards should be wiped in cold condition with a damp soft cloth. Always remove plug from the mains supply before cleaning.

Electricians, please ensure a copy of the Installation Instructions are left with the end user for future reference

KADO

Kado Aspect Flushmount Glass Panel Heater

- The heater must be installed at least 1.8 m above the floor.
- The heater must not be located immediately below a socket outlet. The heater must not be located in front of a socket outlet. They should be located outside the physical footprint of the units to minimize heat build up behind the heater.
- The standard power point must be installed by a licensed electrician.
- If the heater is to be mounted on an incline (eg. Sloping or angled ceiling), ensure the electrical connection is located at that lowest point of the heater.
- Do not connect the appliance to the mains source until it has been installed in its final location and adjusted to the position it will be used in.
- Do not operate with the cord coiled up as this could cause a buildup of heat, which could pose a hazard.
- The use of an extension cord with this appliance is not recommended.
- Do not allow cord to come in contact with heated surfaces during operation.
- Do not run cord under carpeting, throw rugs or runners etc. Arrange cord away from areas where it is likely to be tripped over.
- This appliance is not intended for use by persons (including children) with reduced physical, sensory or mental capabilities, or lack of experience and knowledge, unless they have been given supervision or instruction concerning use of the appliance by a person responsible for their safety.
- Children should be supervised to ensure that they do not play with the appliance
- The appliance is only intended for the purpose described in user manual.
- Do not use appliance or any part of the appliance out of the intended use to avoid risk.
- The use of attachments which are not recommended or sold by the appliance manufacturer may cause a risk of injury to persons
- CAUTION — some parts of this product can become very hot and cause burns. Particular attention has to be given where children and vulnerable people are present.
- Install and operate the heater in strictly horizontal position on the ceiling or ceiling structural surface. The thermal resistance of the ceiling coating and ceiling material should be at least 80 °C.
- WARNING: This heater is not equipped with a device to control the room temperature. The heater must not be within reach from the floor, as severe burns may occur due to high surface temperatures. Do not use this heater in small rooms or where the room or area is occupied by persons not capable of leaving the room on their own, persons who are unable to operate the heater safely and with the guidelines of the use manual, unless constant supervision is provided.
- WARNING: The heater must not be used if the glass panels are damaged.
- When the appliance is not in use and before cleaning, unplug the appliance from the outlet.
- To protect against the risk of electrical shock, do not immerse the unit, cord or plug in water or other liquid.
- Household indoor/covered outdoor use only.

TECHNICAL SPECIFICATIONS

Voltage	230-240V~50Hz
Rated Power (W)	1200 Watts
Installation	Ceiling Flush Mounted
Ideal Mounting Height	2.1 m
Electrical Protection Class	I
IP Rating	IP65
The Length of Cable	1050mm
Unit Size	602 x 219 x 120mm

Electricians, please ensure a copy of the Installation Instructions are left with the end user for future reference

KADO

Kado Aspect Flushmount Glass Panel Heater

FLUSH MOUNT INSTALLATION

The Flush Mount Enclosure is an ideal way to neatly install the heater into a ceiling. Flush mounting can be used with any building grade ceiling materials.

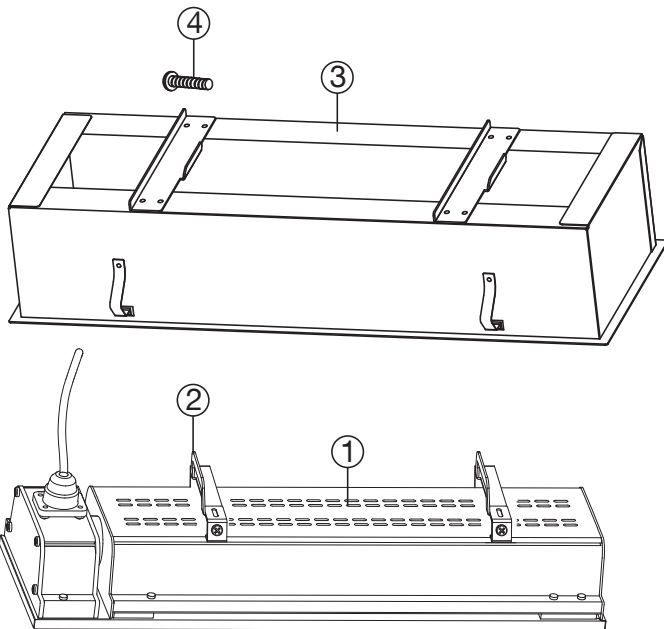
Joists, beams and rafters shall not be cut or notched to install the appliance.

The appliance shall under no circumstances, be covered with insulating material or similar material.

Maximum mounting heights should be strictly followed; otherwise the performance of the units may be reduced.

The enclosure is manufactured from stainless steel.

1. Please check if following accessories are complete before installation.

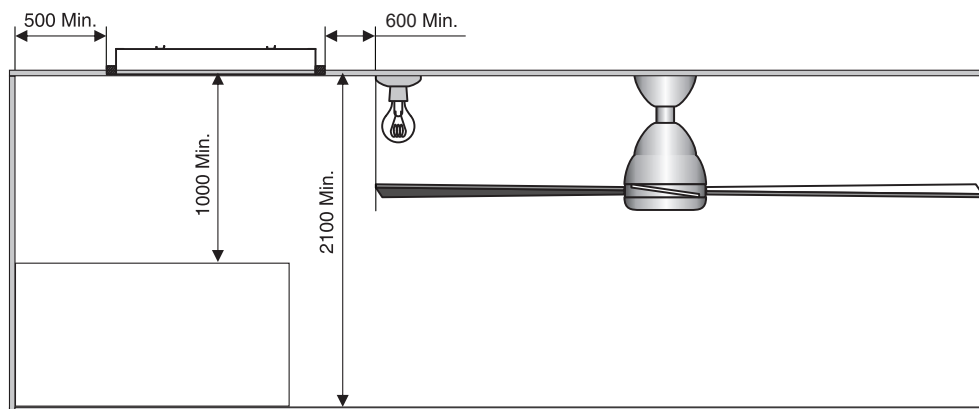
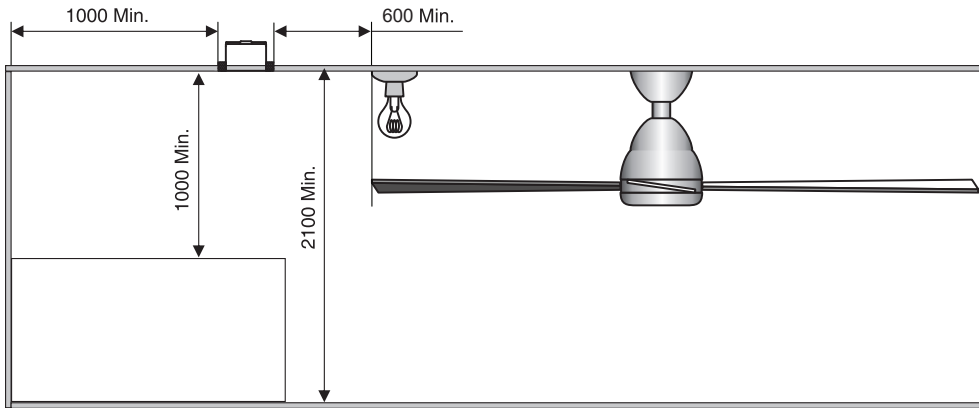


PART NO.	PART NAME	QTY
1	Heater	1
2	Bracket for Flush Mount	2
3	Cabinet	1
4	Screw M4*28mm	4
5	Wall Plate Switch	1

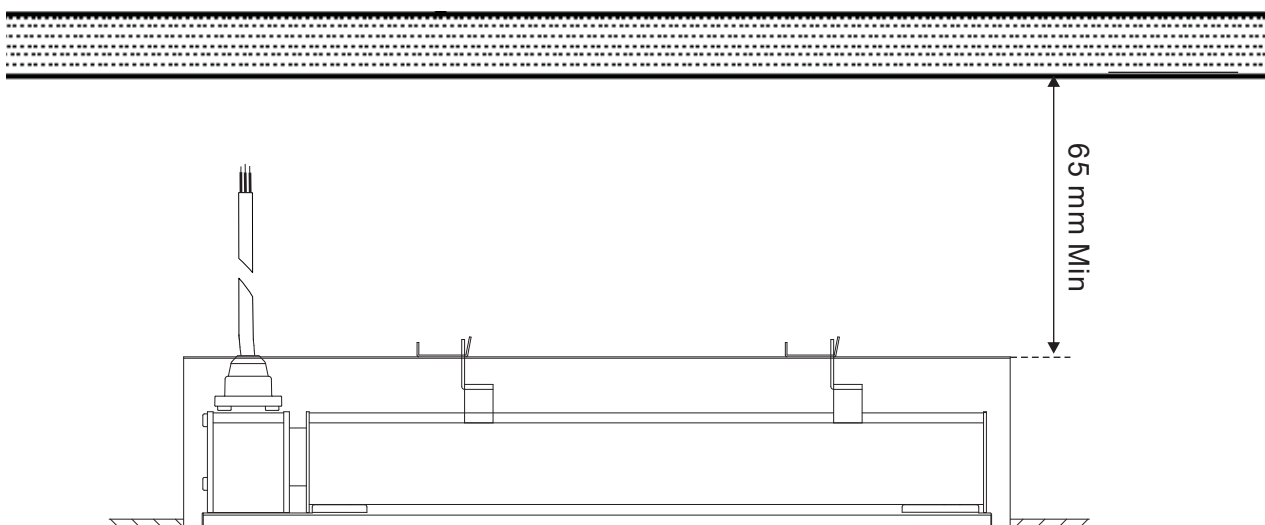
KADO

Kado Aspect Flushmount Glass Panel Heater

2. Ensure all clearances detailed in the figure below are strictly followed. Note: dimensions are in millimeters (mm).



The minimum distance between the back of the enclosure and any building material is 65mm.



The heater must not be located immediately below a socket-outlet. The heater must not be located in front of a socket-outlet. The socket must be located outside the physical footprint of the units to minimize heat build-up behind the heater.

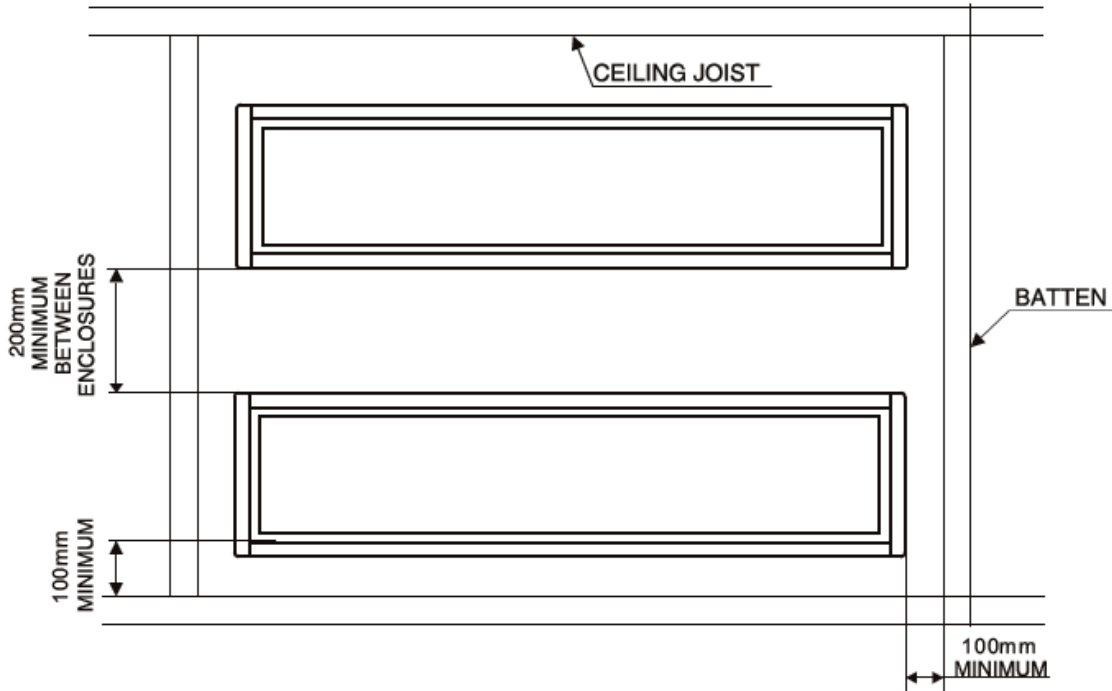
Electricians, please ensure a copy of the Installation Instructions are left with the end user for future reference

KADO

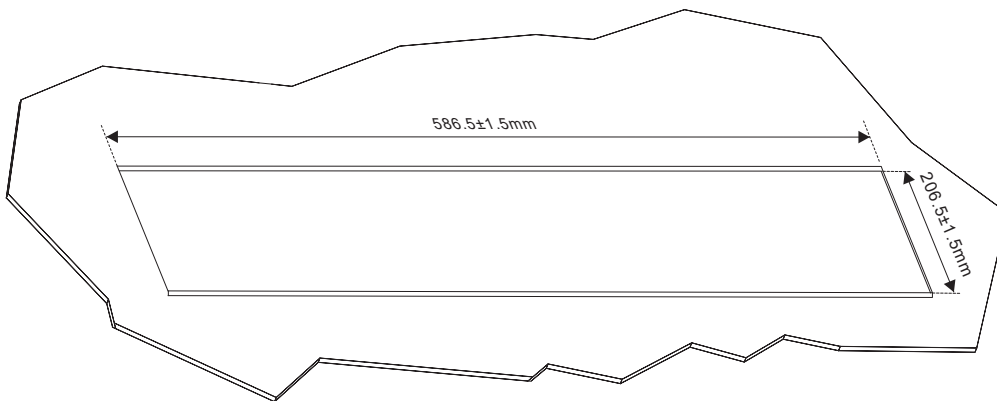
Kado Aspect Flushmount Glass Panel Heater

The minimum distance between the sides of the enclosure and any support structure is 100mm.

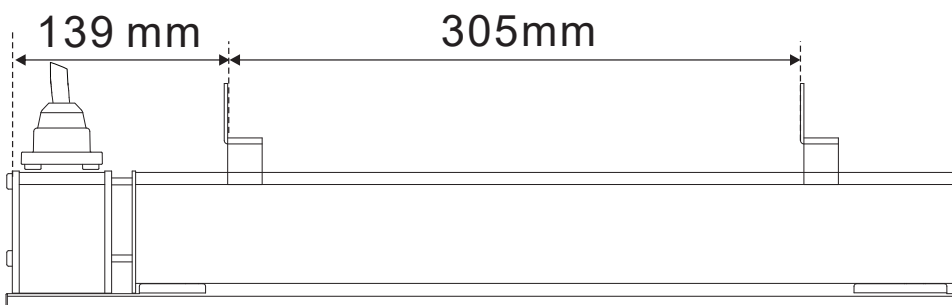
The minimum distance between adjacent enclosures is 200mm.



3. Hole cutout dimensions on the ceiling is shown in figure below:



4. Fix the bracket (no.2) on the back of heater, as per the dimension shown in the figure below:

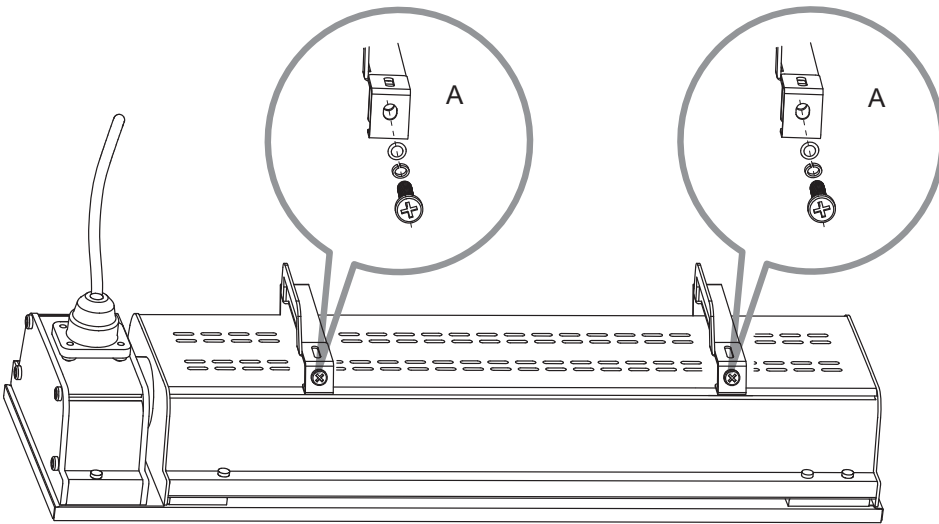


Electricians, please ensure a copy of the Installation Instructions are left with the end user for future reference

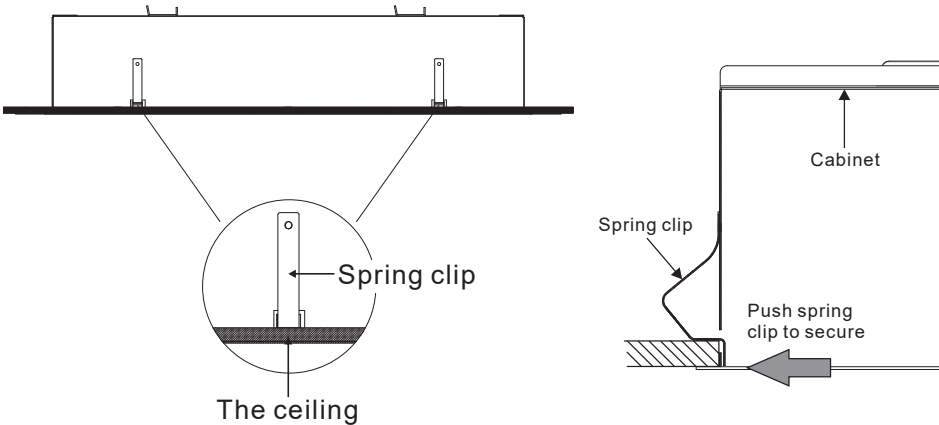
KADO

Kado Aspect Flushmount Glass Panel Heater

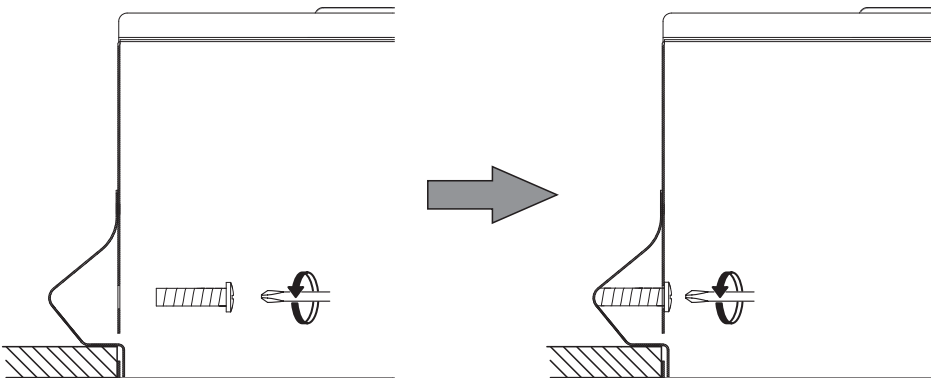
5. Lock the bracket by tightening the screw show in figure A.



6. Push the cabinet into ceiling aperture, allowing metal springs to snap open. To secure the cabinet in position, push lower ends of springs apart (Fig below). Ceiling board thickness should be adjusted to enable springs to be fitted without excessive force.



7. After the assembly is completed, the spring film is locked with 4 machine wire M4*28mm screws on the hole positions of the spring plates, as shown in the figure below:

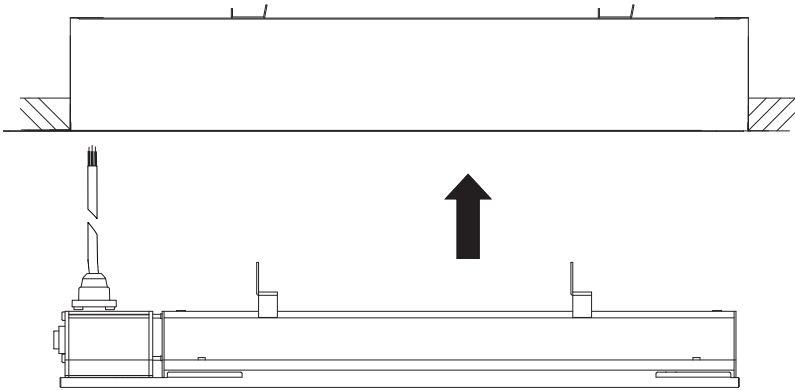


Electricians, please ensure a copy of the Installation Instructions are left with the end user for future reference

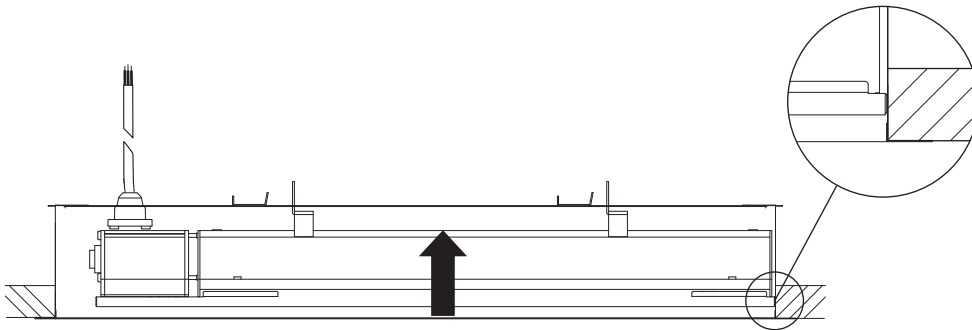
KADO

Kado Aspect Flushmount Glass Panel Heater

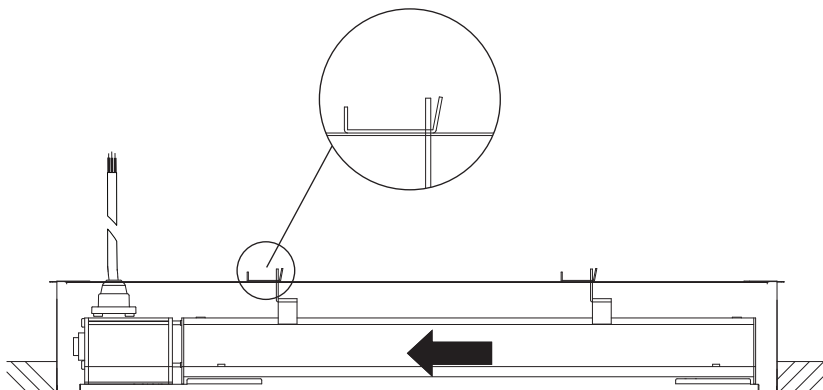
8. Connect the heater to the power source, ensure the power is OFF. Ensure the power cable will not lay on the back of the heater.



9. Lift the heater into the cabinet, ensuring the brackets go through the cut holes on the top of the cabinet shown in figure below.



10. Move the heater to the left direction and then drop in, ensuring the brackets place rightly on the hanger. Gently shake the heater to ensure that it is securely mounted.

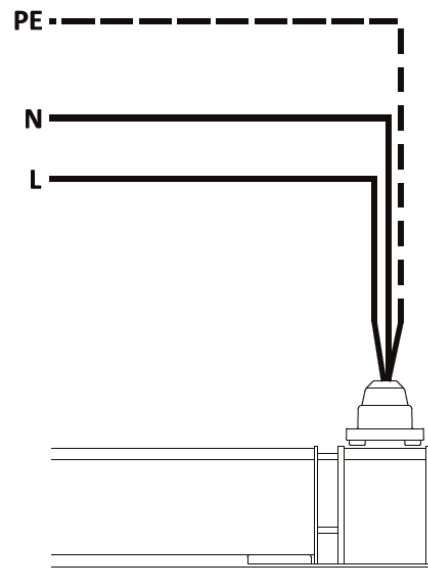
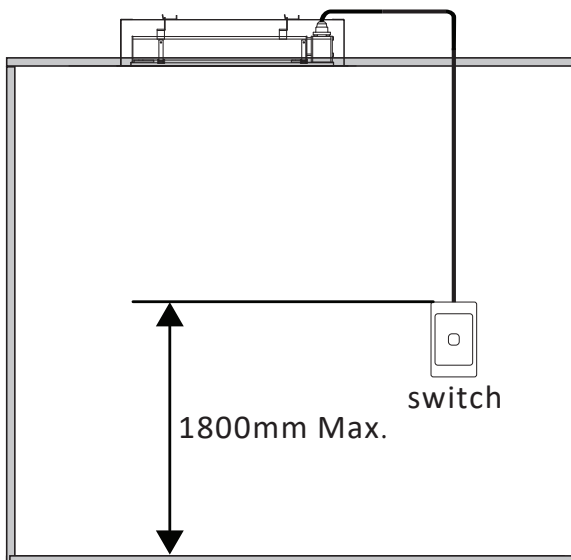


KADO

Kado Aspect Flushmount Glass Panel Heater

CONNECTION TO ELECTRIC MAINS

- **WARNING: This product must be installed by a qualified installer or electrician.**
- Locate the heater in accordance with the requirements of the current Australian/New Zealand Wiring Rules AS/NZS 3000 relating to damp situations.
- In some installations this may mean that no part of the Module may be located directly above any part of a bath or shower recess or enclosure.
- The heater is designed for connection to the single-phase 230-240V~ 50Hz electric mains equipped with a earth wire.
- Before connection, make sure that specifications of the electric mains at the connection point meet the single-phase 230-240V~50Hz voltage.
- The electric mains should be equipped with an automatic circuit breaker with rated current not less than 10A.
- Switches and other controls must not be located where they can be touched by a person in the bath or shower.
- The heater must not be located immediately below a power point. Power point should not be located at the back of the heater. The power point needs to be located outside the physical footprint of the heater to minimize heat build-up behind the heater.
- If the heater is to be mounted on an incline (eg. Vaulted ceiling), ensure the power point located at that lowest point of the heater.
- **WARNING:** The installation must be equipped with an all-pole disconnection mechanism with a break contact distance of at least 3mm.
- **WARNING:** The All-pole disconnection mechanism must be installed on the height less than 1.8m from the floor.



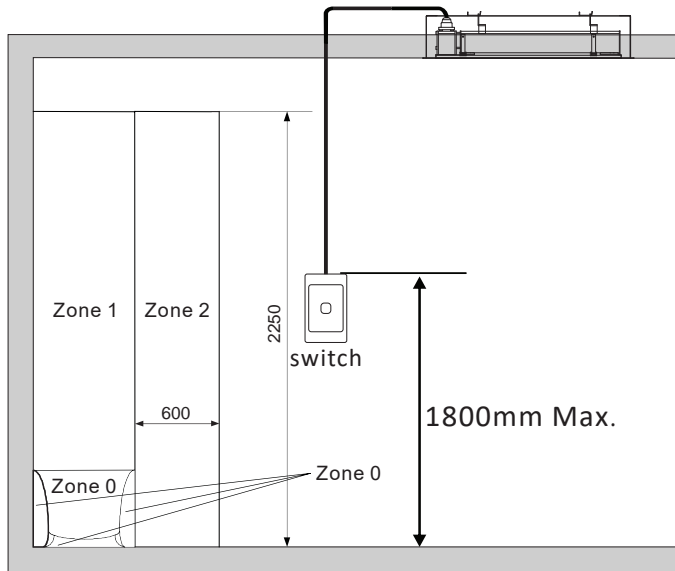
KADO

Kado Aspect Flushmount Glass Panel Heater

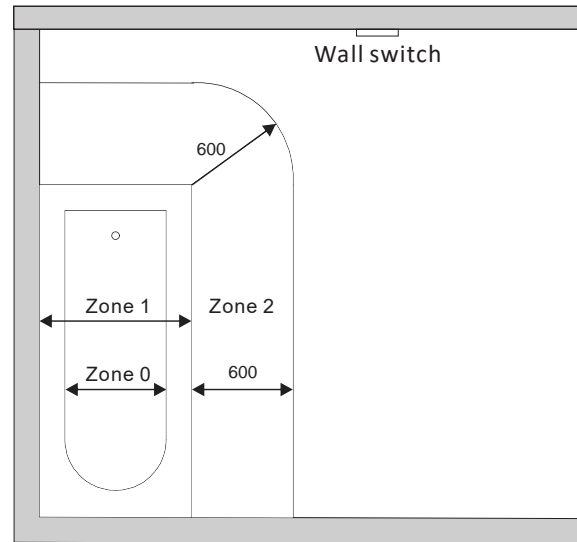
WALL SWITCH MOUNTING POSITION

The wall switch must be set in the outer region of Zone 0, Zone 1, and Zone 2. (Cont...)

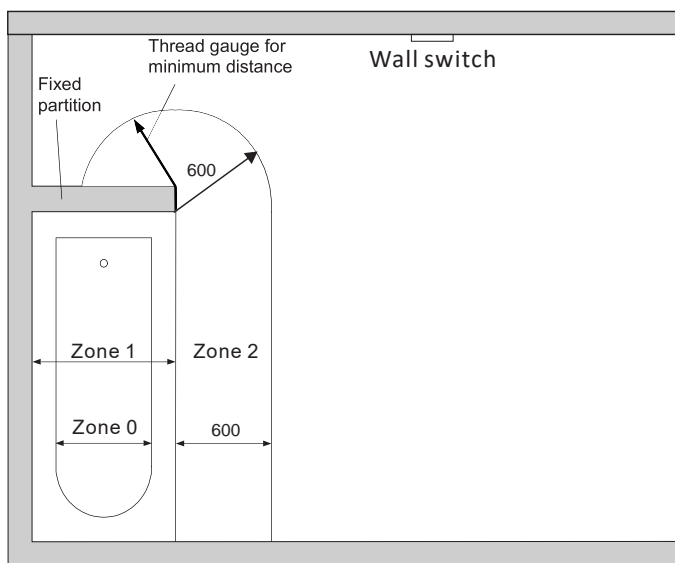
All dimensions are in millimetres



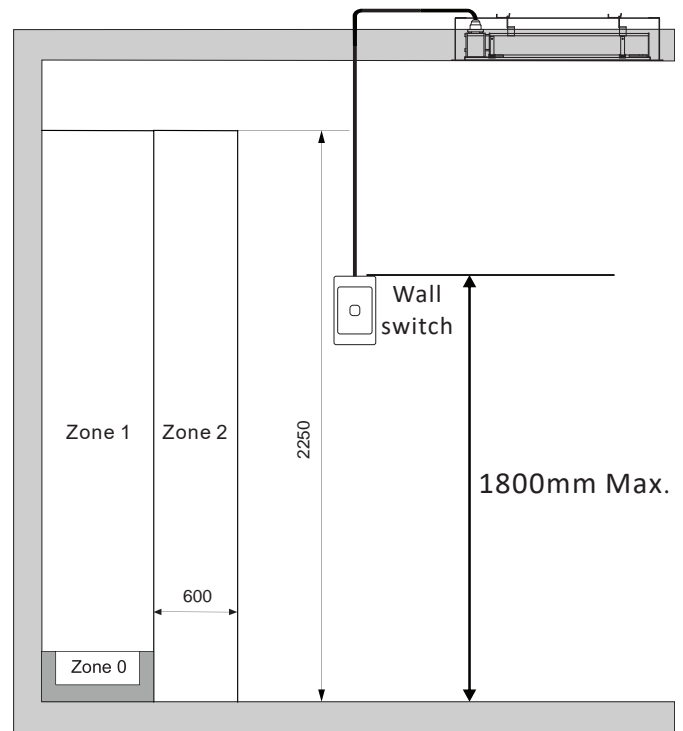
Side view



Top view



Top view (with fixed partition and radius for minimum distance around the partition)



Side view, shower

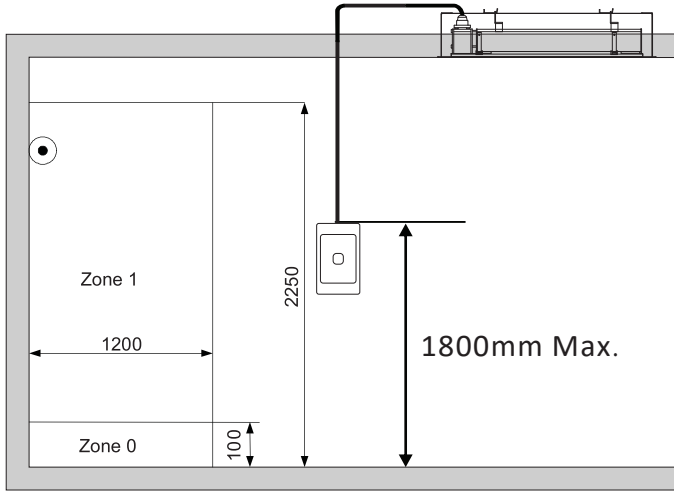
Electricians, please ensure a copy of the Installation Instructions are left with the end user for future reference

KADO

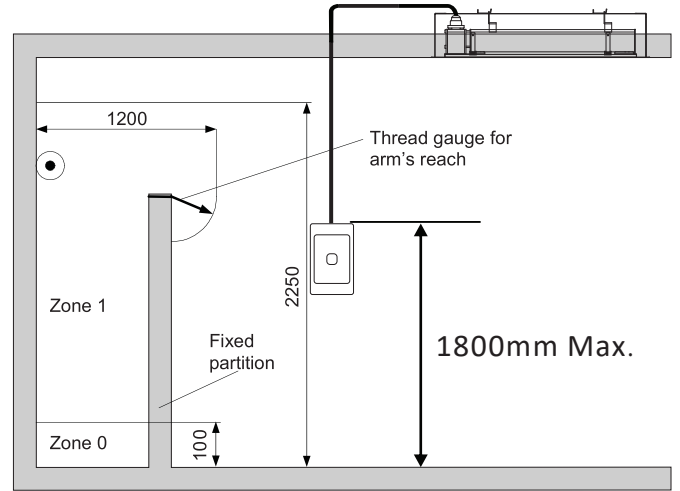
Kado Aspect Flushmount Glass Panel Heater

The wall switch must be set in the outer region of Zone 0, Zone 1, and Zone 2.

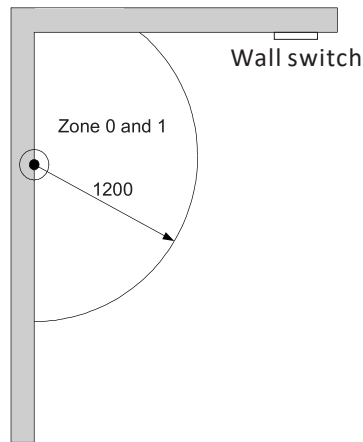
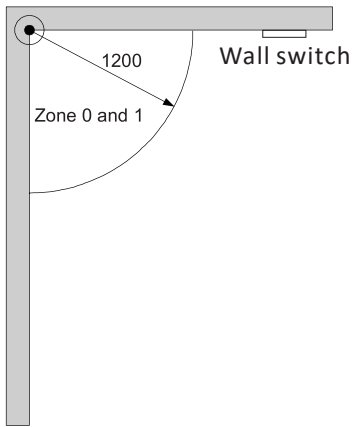
All dimensions are in millimetres



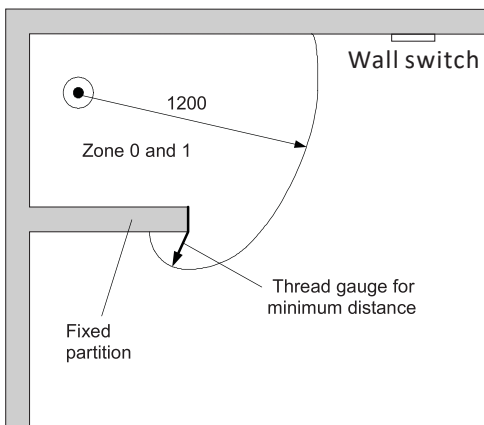
Side view



Side view (with fixed partition and radius for minimum distance from above the partition)



Top view (for different positioning of the fixed water outlet)



Top view with fixed water outlet (with fixed partition and radius for minimum distance around the partition)

KADO

Kado Aspect Flushmount Glass Panel Heater

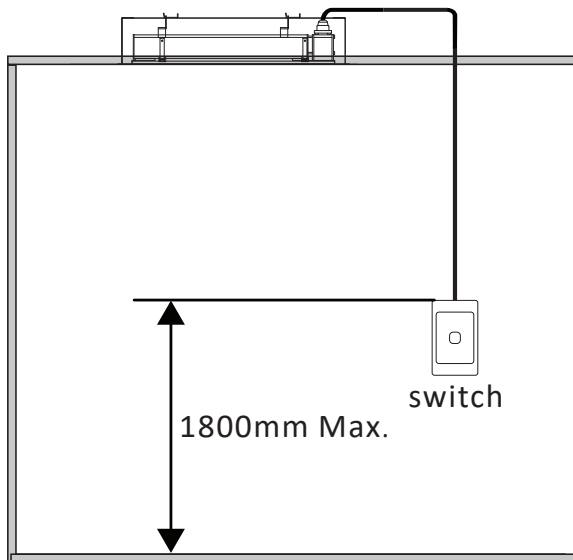
OPERATION

WARNING! Slight crackles may be heard during the heating or cooling period. This is normal operational noise.

NOTE:

- After switching on the appliance for the first time and following extended periods on non-use, the appliance may expel a slight odor for a short time. It will not affect the use of the heater.
- To exclude unpleasant burnt odor, it is recommended to keep the heater clean preventing accumulation of dust on it

Connect the unit to the main power, press the switch to the position on, the heater is on and the heater will begin to radiate infrared heat.



MAINTENANCE

- Any maintenance should only be carried out by a qualified electrician.
- During operation, it is necessary to periodically (once a year) check the electric cable contacts and terminal connectors for good tightening.
- If the body becomes dirty, wipe off dust with a towel, and the radiating boards should be wiped in cold condition with a damp soft rag.

WARNING! Never immerse the appliance in water! Danger to life!

Electricians, please ensure a copy of the Installation Instructions are left with the end user for future reference

KADO

Kado Aspect Flushmount Glass Panel Heater

TROUBLESHOOTING

Possible malfunctions are given in Table below.

SYMPTOM	CAUSE
Will not heat / No operation indicator	Check that power is connected and switched on.
Heater smells when first used.	This is caused by oil or dust left over from the manufacturing process and will stop after a short time.
Faint smell for short periods after turning on the heater.	This is normal and should stop after a short time.
Heater smells when turned on after periods of no use.	Build-up of debris and dust on the heater, Switch the heater off and allow it to cool down and then clean.
Clinking noises when heater is turned on and after being turned off.	This is expansion and contraction noises of the heaters metal components and is normal.
Poor heating performance.	Unit is not installed in correct position, possibly too high or heater is too small for recommended area.

When to contact the authorized service or seller.

SYMPTOM	CAUSE
There is a burning smell and or strange sounds (other than normal expansion and contraction noises) coming from the unit	Turn off the heater, and contact seller.
When associated circuit breaker (safety, ground) is thrown or a fuse is blown	Turn off the heater, and contact your authorized electrical installer
Poor heating performance	Incorrectly sized installation, contact your authorized electrical installer. Or faulty heater element, turn off the heater, and contact seller
Will not heat / No operation indicator	Check that power is connected and switched on, if still faulty, turn off the heater, and contact seller or your installing electrician.

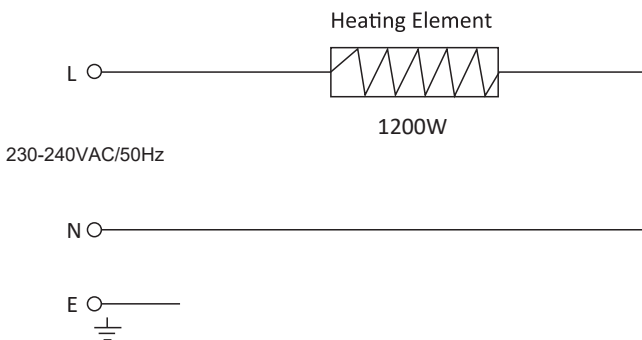
Ventair's Details:

4 CAPITAL PLACE CARRUM DOWNS VIC 3201

PHONE: (03)97750556

FAX: (03)97750775

WIRING SCHEMATIC DIAGRAM



Electricians, please ensure a copy of the Installation Instructions are left with the end user for future reference

KADO

Kado Aspect Flushmount Glass Panel Heater

STORAGE AND DISPOSAL

If you do not plan to use the heater for extended periods of time, it is recommended that it is cleaned and stored (preferably in its original packaging) in a cool, dry place.

WARNING: Please do not attempt to open or repair the heater yourself. Doing so could void the warranty and cause damage or personal injury.

Do not dispose of electrical products with household waste. Please check with your local council for advice on disposal or recycling. If electrical appliances are disposed of in landfills or dumps, hazardous substances can leak into the groundwater and get into the food chain, damaging your health and well-being.