

EUROECO COMSPOPOLITAN E
INFRA-RED ELECTRONIC WALL BASIN
TAP WITHOUT MIXING DEVICE
MODEL #121570

Pure Freude
an Wasser

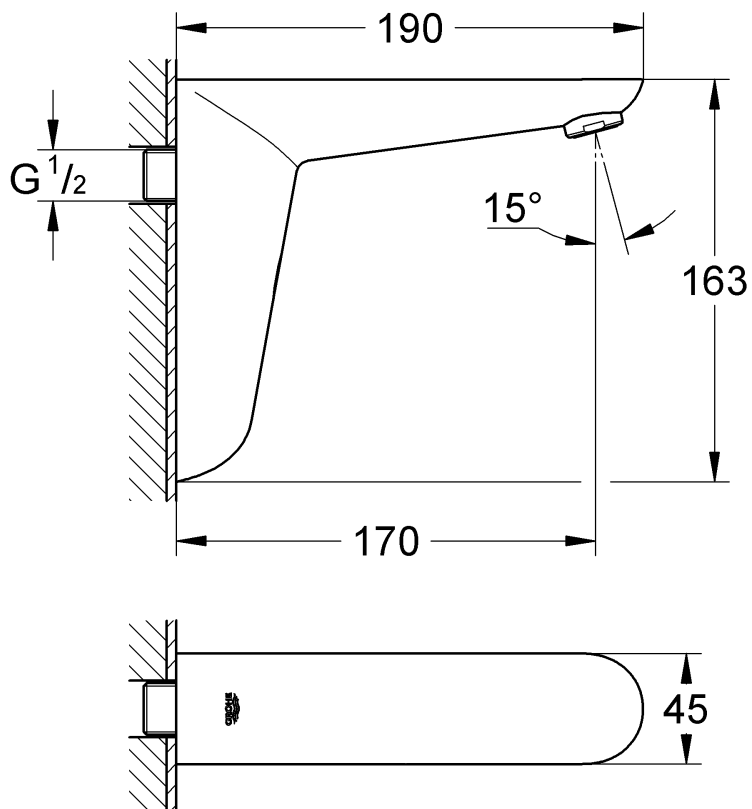
GROHE

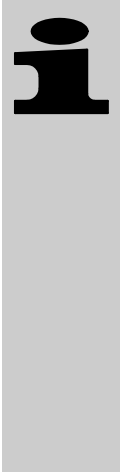
Product Specifications



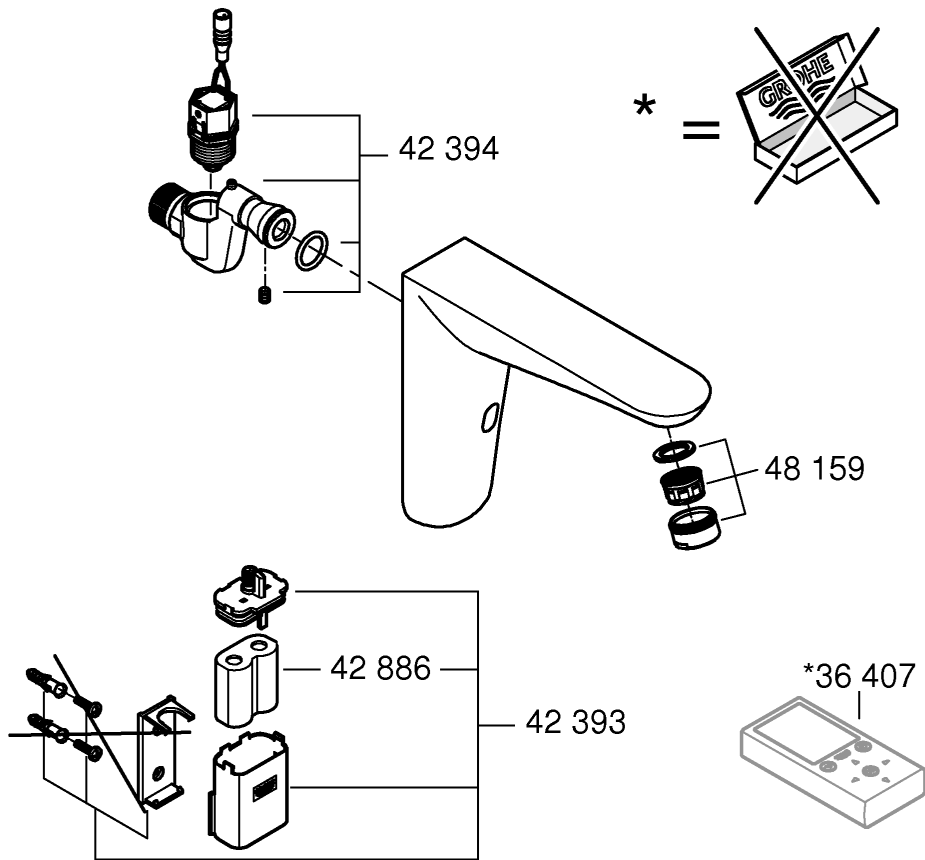
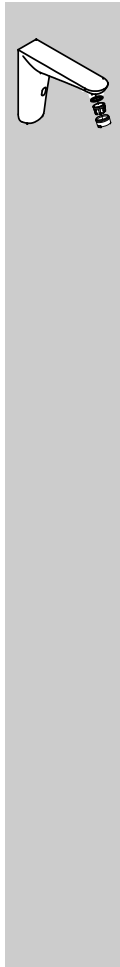
Product description

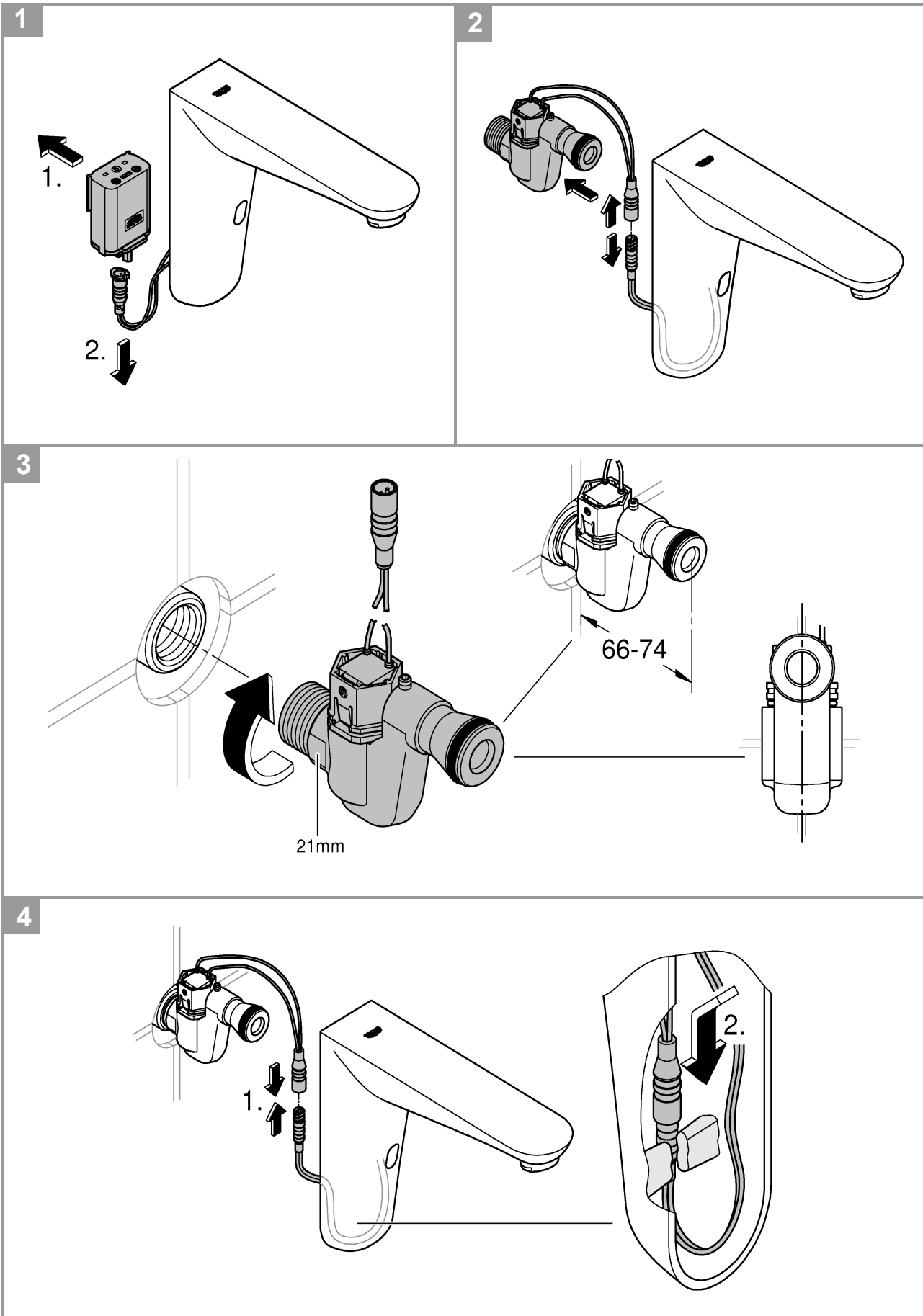
Euroeco Cosmopolitan E
Infra-red electronic wall basin tap without mixing device
with infrared sensor for bi-directional communication
for monitoring, configuration and servicing
for cold or premixed water
6 V lithium battery, type CR-P2
battery lifetime: approx. 7 years (150 actuations a day)
GROHE StarLight finish
GROHE EcoJoy mousseur 5.7 l/min
metal body
multistage battery status display
7 pre-set programs:
auto flush
cleaning mode
additional functions and precise settings by remote control
36 407 CE approved
min. recommended pressure 1.0 ba

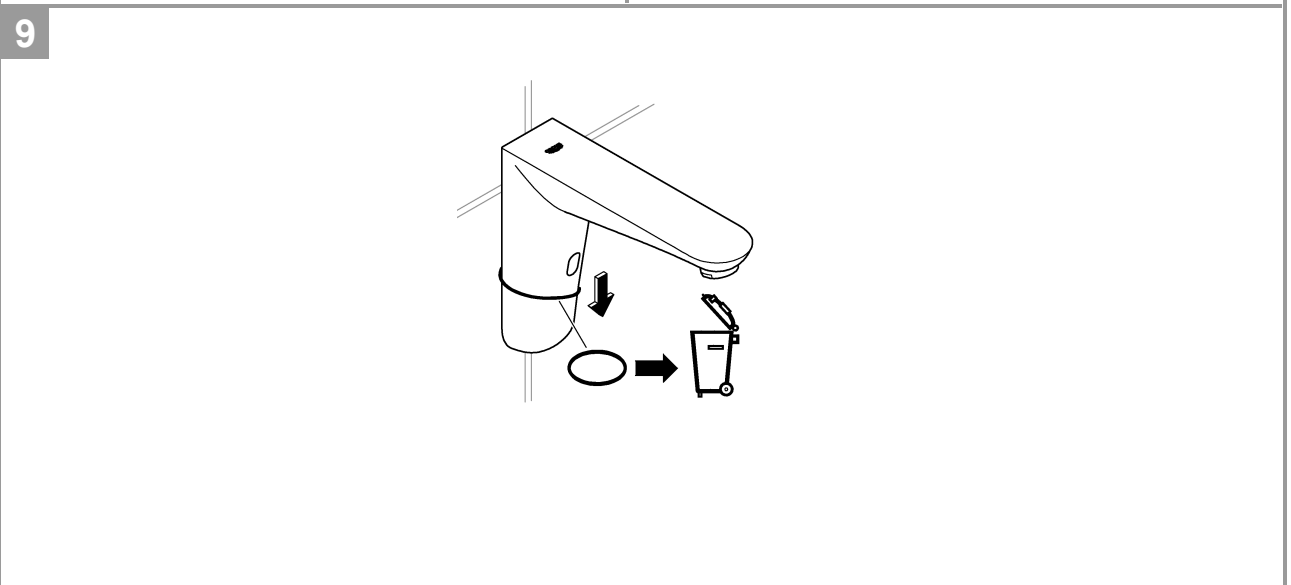
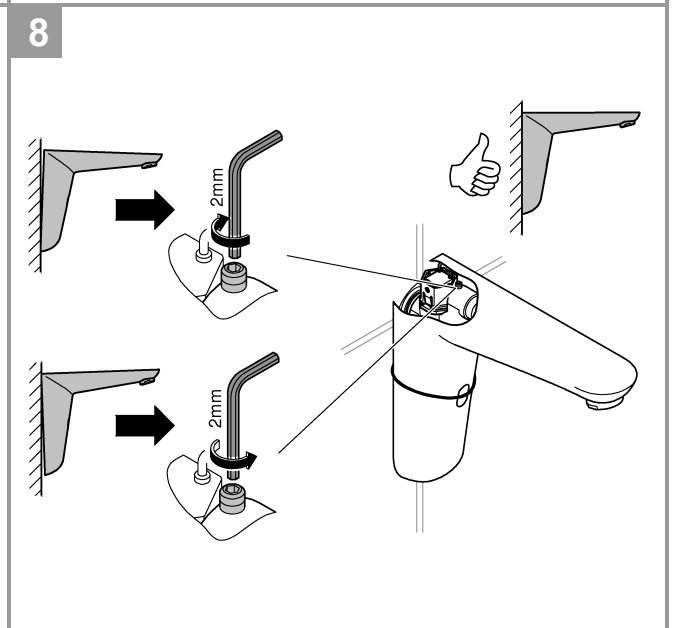
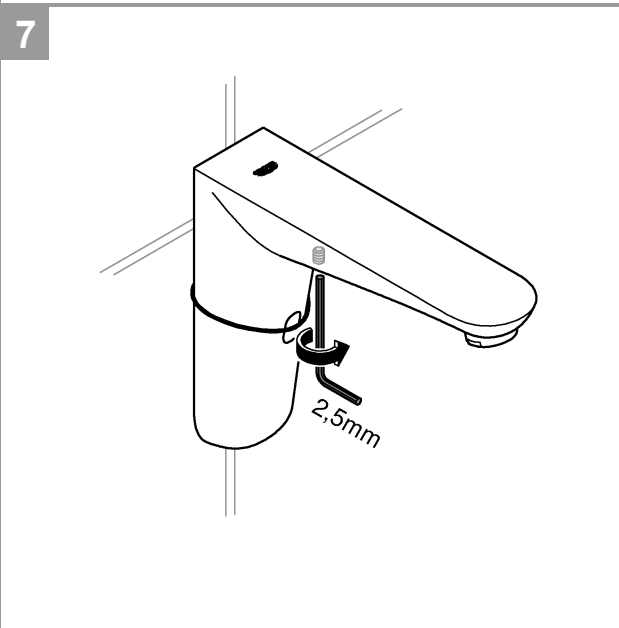
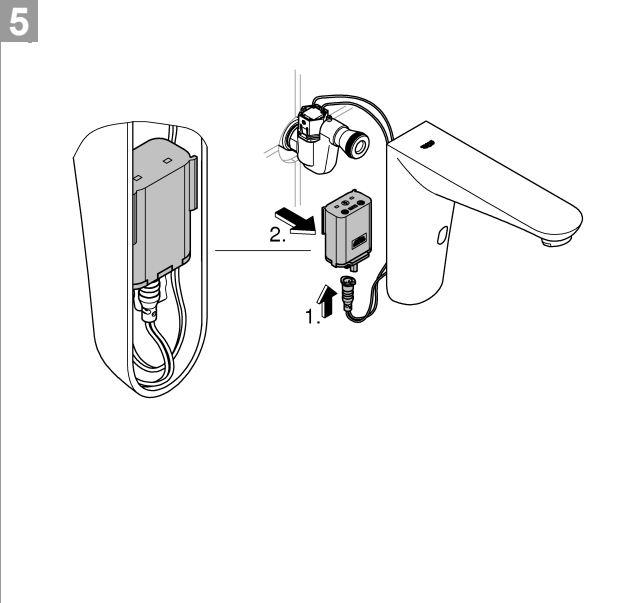


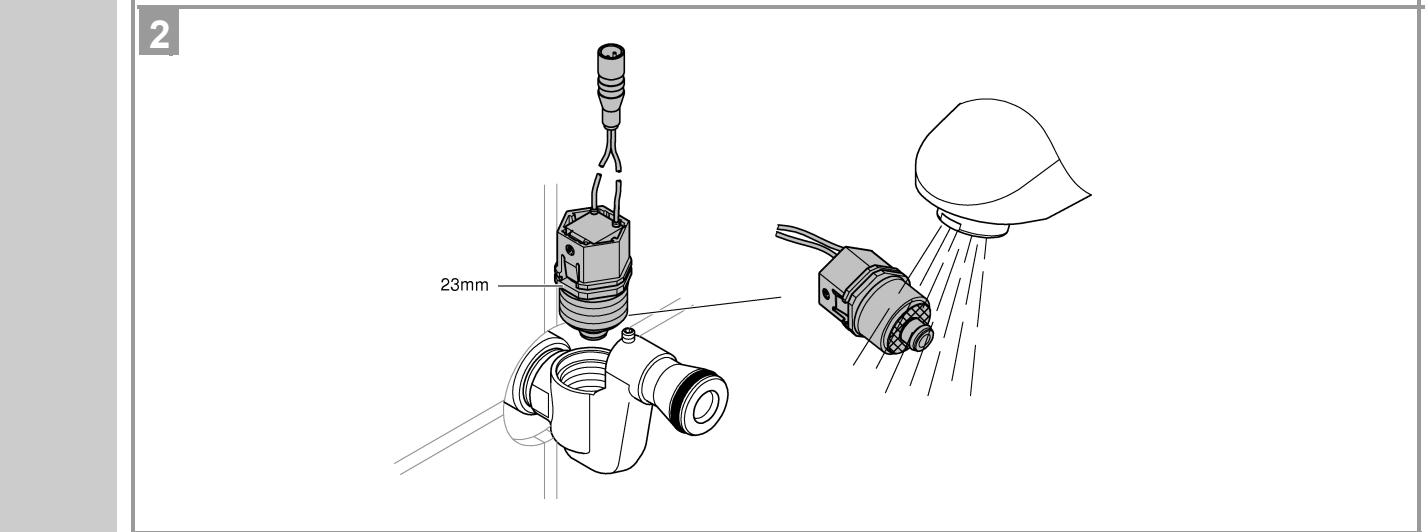
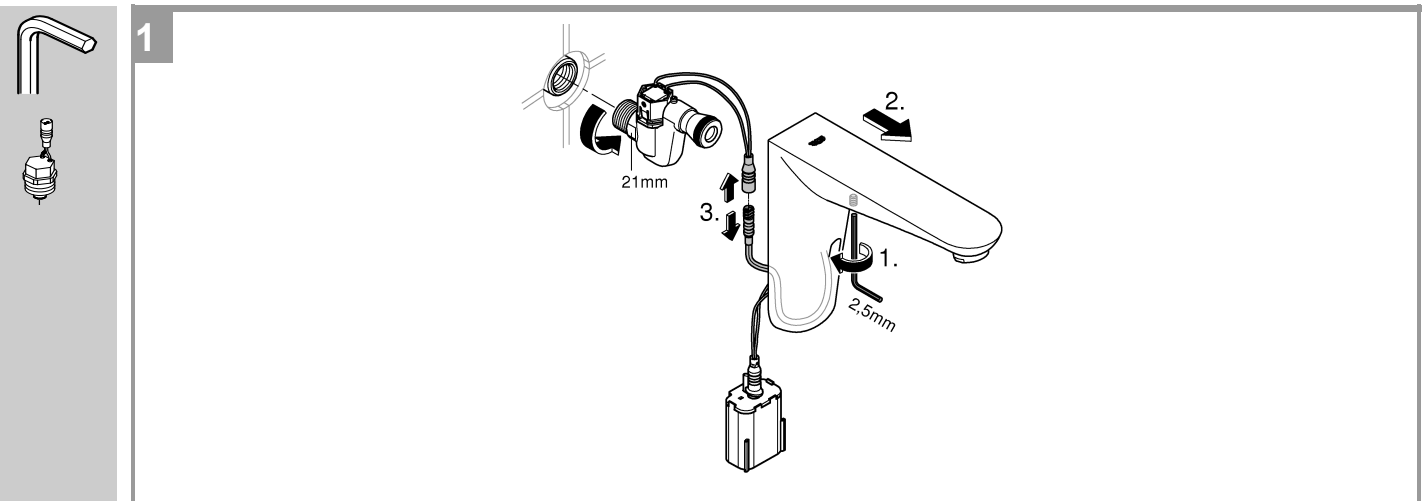
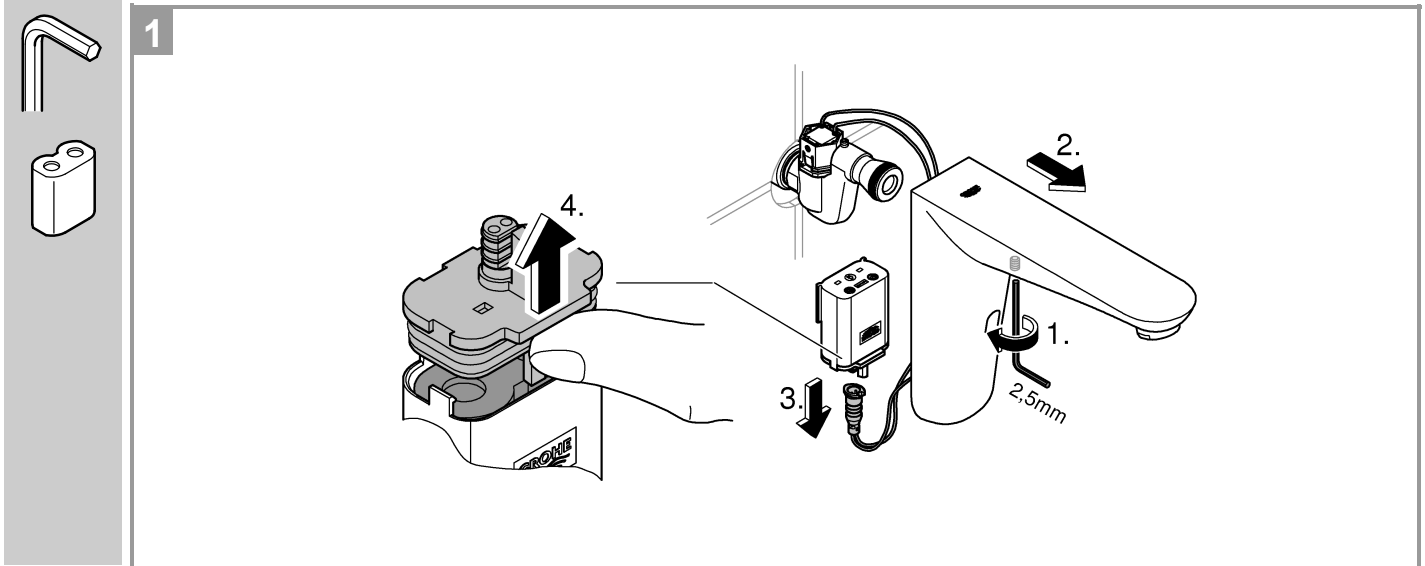


DIN 1988 DIN EN 806				
	 MPa	 °C		











Fault / Cause / Remedy

Fault	Cause	Remedy
Water not flowing	<ul style="list-style-type: none"> • Filter upstream of solenoid valve blocked • Solenoid valve defective • Plug-in connector without contact • Battery discharged (indicator lamp lights up continuously) 	<ul style="list-style-type: none"> - Clean filter - Replace solenoid valve - Check plug-in connector - Replace battery
Undesired water flow	<ul style="list-style-type: none"> • Sensor system detection zone set too high for local conditions • Automatic flushing activated • Solenoid valve defective 	<ul style="list-style-type: none"> - Reduce range using remote control (special accessory, prod. no.: 36 407) - Wait 1 - 10 minutes - Replace solenoid valve
Flow rate too low	<ul style="list-style-type: none"> • Mousseur dirty • Filter upstream of solenoid valve dirty 	<ul style="list-style-type: none"> - Clean or replace mousseur - Clean filter



Safety notes

- Installation is only possible in frost-free rooms.
- Use **only genuine replacement parts and accessories.**
 The use of other parts will result in voiding of the warranty and the CE identification, and could lead to injuries.

Technical data

- Voltage supply: 6V lithium battery type CR-P2
- Automatic safety shut-off: 60 s
 (6 - 420 s adjustable)
- Run-on time (0 - 19 s adjustable): 1 s
- Reception range according to Kodak Gray Card, grey side, 8x10", landscape (7 - 20cm adjustable): 16cm
- Type of fitting protection: IP 59K

Thermal disinfection possible.

Electrical test data

- Software class A
- Contamination class 2
- Rated surge voltage 2500 V
- Temperature of ball impact test 100 °C

The test for electromagnetic compatibility (interference emission test) was performed at the rated voltage and rated current.

If static pressures exceed 0.5 MPa, a pressure-reducing valve must be installed.

EUROECO COMSPOLITAN E
INFRA-RED ELECTRONIC WALL BASIN
TAP WITHOUT MIXING DEVICE
MODEL #121570

*Pure Freude
an Wasser*



Installation Instructions

This thermostat is suitable for use with high pressure water applications. Using this product in conjunction with gravity-fed water heaters, low and unequal pressure supply systems, tempering valves & thermostatic mixing valves may result in unsatisfactory performance.

Suitable for High Pressure applications 150kPa – 500kPa

Care must be taken by the installing tradesperson to ensure connecting threads do not damage the flow controller when installing this product.

The installation tradesperson must ensure they install this product in accordance with AS/NZS 3500 and all other relating AS/NZS regulations that apply to the installation of this product.

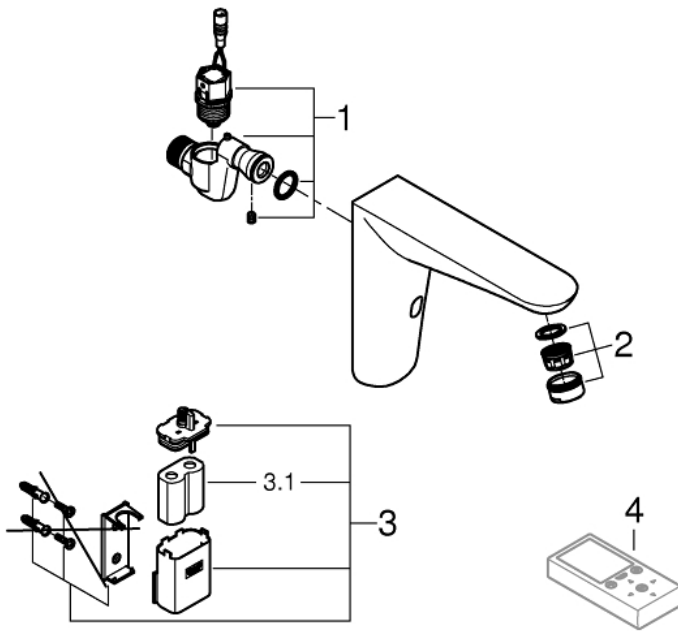
Maximum static pressure of 500kPa.

For applications where 500kPa static pressure is exceeded, a suitably certified pressure limiting valve must be installed to prevent high pressure damaging this product.

All servicing and maintenance must be carried out with accordance to AS/NZS3500 and AS4032 standards.

EUROECO COMSPOPOLITAN E
 INFRA-RED ELECTRONIC WALL BASIN
 TAP WITHOUT MIXING DEVICE
 MODEL #121570

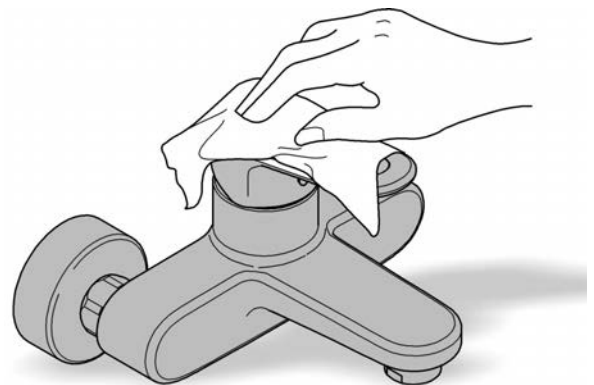
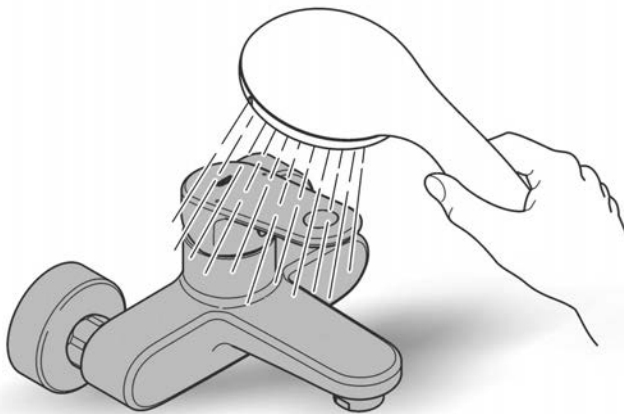
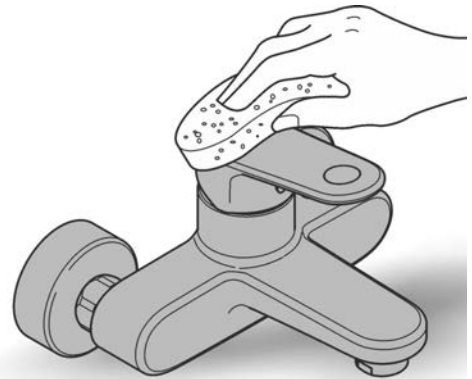
*Pure Freude
 an Wasser*



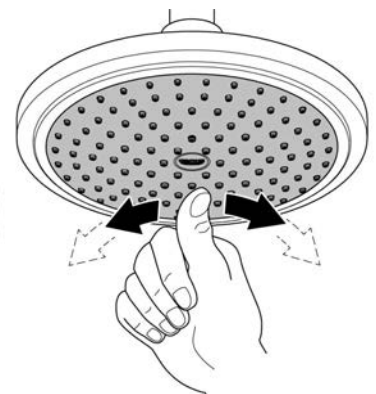
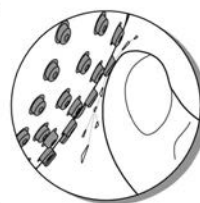
Pos.-nr.	Product Description	Order-nr.	Units per package
1	Solenoid valve	42394000	1
2	Mousseur	48159000	1
3	Battery housing	42393000	1
Optional accessories			
4	Remote control	36407001	1



48166000



SpeedClean



Pure Freude
an Wasser

GROHE


D

+49 571 3989 333
impressum@grohe.de

A

+43 1 68060
info-at@grohe.com

AUS

+1300 054 945
grohe_australia@lixil.com

B

+32 16 230660
info.be@grohe.com

BG

+359 2 9719959
grohe-bulgaria@grohe.com

CAU

+99 412 497 09 74
info-az@grohe.com

CDN

+1 888 6447643
info@grohe.ca

CH

+41 448777300
info@grohe.ch

CN

+86 21 63758878

CY

+357 22 465200
info@grome.com

CZ

+420 277 004 190
grohe-cz@grohe.com

DK

+45 44 656800
grohe@grohe.dk

E

+34 93 3368850
grohe@grohe.es

EST

+372 6616354
grohe@grohe.ee

F

+33 1 49972900
marketing-fr@grohe.com

FIN

+358 10 8201100
teknocalor@teknocalor.fi

GB

+44 871 200 3414
info-uk@grohe.com

GR

+30 210 2712908
nsapountzis@ath.forthnet.gr

H

+36 1 2388045
info-hu@grohe.com

HK

+852 2969 7067
info@grohe.hk

I

+39 2 959401
info-it@grohe.com

IND

+91 124 4933000
customercare.in@grohe.com

IS

+354 515 4000
jonst@byko.is

J

+81 3 32989730
info@grohe.co.jp

KZ

+7 727 311 07 39
info-cac@grohe.com

LT

+372 6616354
grohe@grohe.ee

LV

+372 6616354
grohe@grohe.ee

MAL

+1 800 80 6570
info-singapore@grohe.com

N

+47 22 072070
grohe@grohe.no

NL

+31 79 3680133
vragen-nl@grohe.com

NZ

+09 415 6000
sales@monacocorp.co.nz

P

+351 234 529620
commercial-pt@grohe.com

PL

+48 22 5432640
biuro@grohe.com.pl

RI

+62 21 2358 4751
info-singapore@grohe.com

RO

+40 21 2125050
info-ro@grohe.com

ROK

+82 2 559 0790
info-singapore@grohe.com

RP

+63 2 8041617

RUS

+7 495 9819510
info@grohe.ru

S

+46 771 141314
grohe@grohe.se

SGP

+65 6 7385585
info-singapore@grohe.com

SK

+420 277 004 190
grohe-cz@grohe.com

T

+66 2610 3685
info-singapore@grohe.com

TR

+90 216 441 23 70
GroheTurkey@grome.com

UA

+38 44 5375273
info-ua@grohe.com

USA

+1 800 4447643
us-customerservice@grohe.com

VN

+84 8 5413 6840
info-singapore@grohe.com

AL **BIH** **HR** **KS**

ME **MK** **SLO** **SRB**

+385 1 2911470
adria-hr@grohe.com

**Eastern Mediterranean,
Middle East - Africa
Area Sales Office:**

+357 22 465200
info@grome.com

IR **OM** **UAE** **YEM**

+971 4 3318070
grohedubai@grome.com

Far East Area Sales Office:

+65 6311 3600
info@grohe.com.sg