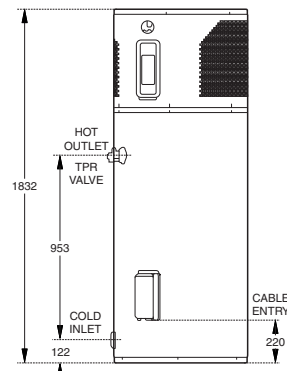
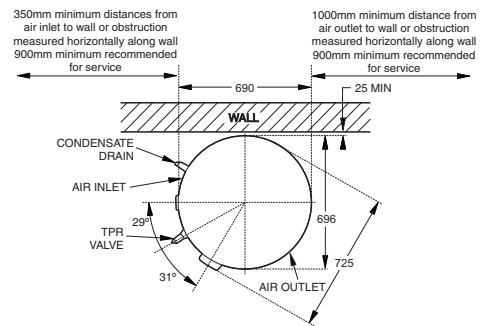


EVERHOT[®]

280L HEATPUMP

EVERHOT 280L HEAT PUMP

MODEL SPECIFICATIONS	Everhot Model Number	STANDARD ANODE 251E280	BLUE ANODE 251E280/B
	Reece Product Code	1366287	1366288
Storage capacity	Liters	280	
Boost capacity	Liters	236	
Rated Heat Pump power input @ 240 V	Watts	690	
Element heating unit rating @ 240 V	Watts	2400	
Maximum rated power input @ 240 V	Watts	3100	
Recommended electrical circuit	Amps	15	
Coefficient of Performance (@19°C) ¹		4.9	
Noise Level @ 1 meter ⁶	dB(A)	47	
People per household		Up to 6	
Dimensions & Specifications			
Tank Height	mm	1832	
Tank Width	mm	696	
Tank Depth	mm	725	
Heater Weight - Cartoned	kg	135	
Heater Weight - Full	kg	402	
Refrigerant		R290	
IP Rating		IP24	
Water Connections & Pressure Setting			
Inlet & Outlet		Rp 3/4	
Temperature Press Relief (TPR) Valve Setting	kPa	1000	
Expansion Control Valve (ECV) Setting	kPa	850	
Maximum Mains Supply Pressure			
With Expansion Control Valve	kPa	680	
Without Expansion Control Valve	kPa	800	



HEAT PUMP PERFORMANCE SPECIFICATIONS

Ambient air temperature	Recovery rate @45° C rise (L/hr)	Average heating capacity (kW)	Coefficient of Performance (COP) ¹
19°C	56L	2.9	4.9

BACK-UP ELEMENT RECOVERY RATE @ 240 V TEMPERATURE RISE OF

Rating (kW)	30°C (litres/hour)	40°C (litres/hour)	C50°C (litres/hour)
2.4	69	52	41

Dimensions are nominal measurements only.



CLEANING RECOMMENDATIONS:

We recommend the use of soapy water or approved cleaners. This product should not be cleaned with abrasive materials. Damage caused by any improper treatment is not covered by the product warranty. Refer to Warranty Conditions

Disclaimer: Products in this specification manual must by regulation be installed by licensed and registered trade people. The manufacturer/distributor reserves the right to vary specifications or delete models from their range without prior notification. Dimensions are nominal measurements only. Dimensions and set-outs listed are correct at time of publication however the manufacturer/distributor takes no responsibility for printing errors.

Published 18/06/2024



WaterMark
AS/NZS 3718
WM-022094

