

mizu

Mizu Drift MK2 Wall Basin Mixer Tap Set Trimset Chrome (5 Star)

2263871

SPECIFICATIONS

Recommended Use	Domestic, Hotel & Commercial
Colour	Chrome
Material	Brass
Cartridge Type	Ceramic Disc
Recommended Pressure Range	150-500kPa
Max Continuous Working Pressure	1000kPa
Max Continuous Working Temperature	65 deg C
Suitable for Storage Tank Hot Water	Yes
Suitable for Continuous Flow Hot Water	Yes
Suitable for Gravity Feed Hot Water	No

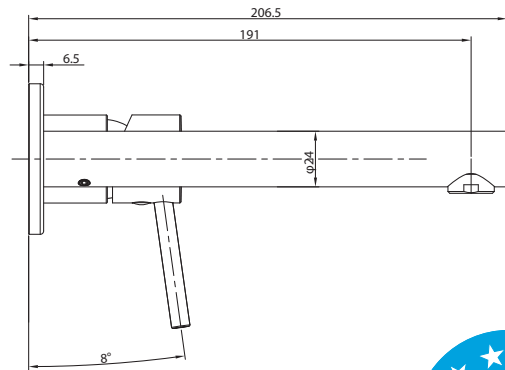
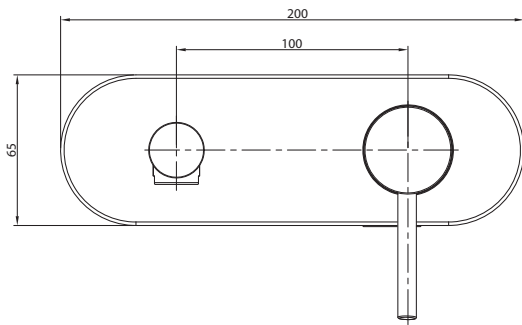
WARRANTY

Warranty - Domestic Use	10 Years
Spare Parts & Labour	12 Months

Please refer to Warranty Page for full Terms and Conditions



The Mizu MK2 Wall Basin Mixer Tap Set Trimset allows you to install the Universal Inwall Body at installation rough-in stage, then leave the tapware trimset colour choice for later.



Dimensions are nominal measurements only.

CLEANING RECOMMENDATIONS:

We recommend the use of soapy water or approved cleaners. This product should not be cleaned with abrasive materials. Damage caused by any improper treatment is not covered by the product warranty. Refer to Warranty Conditions

Disclaimer: Products in this specification manual must by regulation be installed by licensed and registered trade people. The manufacturer/distributor reserves the right to vary specifications or delete models from their range without prior notification. Dimensions are nominal measurements only. Dimensions and set-outs listed are correct at time of publication however the manufacturer/distributor takes no responsibility for printing errors.

Published 29/09/2021

To see the complete Mizu range go to www.reece.com.au

