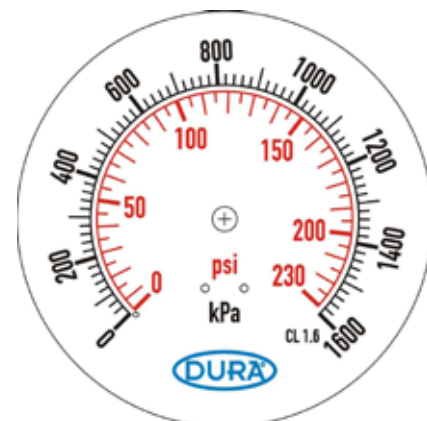


DURA PRESSURE GAUGE

SPECIFICATIONS

Reece Product Code and Description

9506110	DURA DRY PRESSURE GAUGE 63MM BOTTOM ENTRY 250KPA
9506111	DURA DRY PRESSURE GAUGE 63MM BOTTOM ENTRY 400KPA
9506112	DURA DRY PRESSURE GAUGE 63MM BOTTOM ENTRY 800KPA
9505793	DURA DRY PRESSURE GAUGE 63MM BOTTOM ENTRY 1000KPA
9506113	DURA DRY PRESSURE GAUGE 63MM BOTTOM ENTRY 1600KPA
9506118	DURA DRY PRESSURE GAUGE 100MM BOTTOM ENTRY 250KPA
9506119	DURA DRY PRESSURE GAUGE 100MM BOTTOM ENTRY 400KPA
9506120	DURA DRY PRESSURE GAUGE 100MM BOTTOM ENTRY 800KPA
9505795	DURA DRY PRESSURE GAUGE 100MM BOTTOM ENTRY 1000KPA
9506121	DURA DRY PRESSURE GAUGE 100MM BOTTOM ENTRY 1600KPA
9506114	DURA LIQUID PRESSURE GAUGE 63MM BOTTOM ENTRY 250KPA
9506115	DURA LIQUID PRESSURE GAUGE 63MM BOTTOM ENTRY 400KPA
9506116	DURA LIQUID PRESSURE GAUGE 63MM BOTTOM ENTRY 800KPA
9505794	DURA LIQUID PRESSURE GAUGE 63MM BOTTOM ENTRY 1000KPA
9506117	DURA LIQUID PRESSURE GAUGE 63MM BOTTOM ENTRY 1600KPA



Warranty (See below) 12 months product warranty

Thread Position Bottom Entry BSP

Pressure Rating 250kPa - 1600kPa

PRODUCT DIMENSIONS

Product Code	Scale Range	Graduations	Pressure Rating	Accuracy Class*	Gauge Face	Filling	Thread Size	Case
9506110	0-250kPa	5kPa	250kPa	CL 1.6	63mm	Dry	R1/4"	304SS
	0-35psi	0.5psi						
9506111	0-400kPa	10kPa	400kPa	CL 1.6	63mm	Dry	R1/4"	304SS
	0-60psi	1psi						
9506112	0-800kPa	10kPa	800kPa	CL 1.6	63mm	Dry	R1/4"	304SS
	0-120psi	2psi						
9505793	0-1000kPa	20kPa	1000kPa	CL 1.6	63mm	Dry	R1/4"	304SS
	0-150psi	2psi						
9506113	0-1600kPa	20kPa	1600kPa	CL 1.6	63mm	Dry	R1/4"	304SS
	0-230psi	5psi						
9506118	0-250kPa	5kPa	250kPa	CL 1.6	100mm	Dry	R3/8"	304SS
	0-35psi	0.5psi						
9506119	0-400kPa	10kPa	400kPa	CL 1.6	100mm	Dry	R3/8"	304SS
	0-60psi	1psi						
9506120	0-800kPa	10kPa	800kPa	CL 1.6	100mm	Dry	R3/8"	304SS
	0-120psi	2psi						
9505795	0-1000kPa	20kPa	1000kPa	CL 1.6	100mm	Dry	R3/8"	304SS
	0-150psi	2psi						
9506121	0-1600kPa	20kPa	1600kPa	CL 1.6	100mm	Dry	R3/8"	304SS
	0-230psi	5psi						
9506114	0-250kPa	5kPa	250kPa	CL 1.6	63mm	Liquid	R1/4"	304SS
	0-35psi	0.5psi						
9506115	0-400kPa	10kPa	400kPa	CL 1.6	63mm	Liquid	R1/4"	304SS
	0-60psi	1psi						
9506116	0-800kPa	10kPa	800kPa	CL 1.6	63mm	Liquid	R1/4"	304SS
	0-120psi	2psi						
9505794	0-1000kPa	20kPa	1000kPa	CL 1.6	63mm	Liquid	R1/4"	304SS
	0-150psi	2psi						
9506117	0-1600kPa	20kPa	1600kPa	CL 1.6	63mm	Liquid	R1/4"	304SS
	0-230psi	5psi						

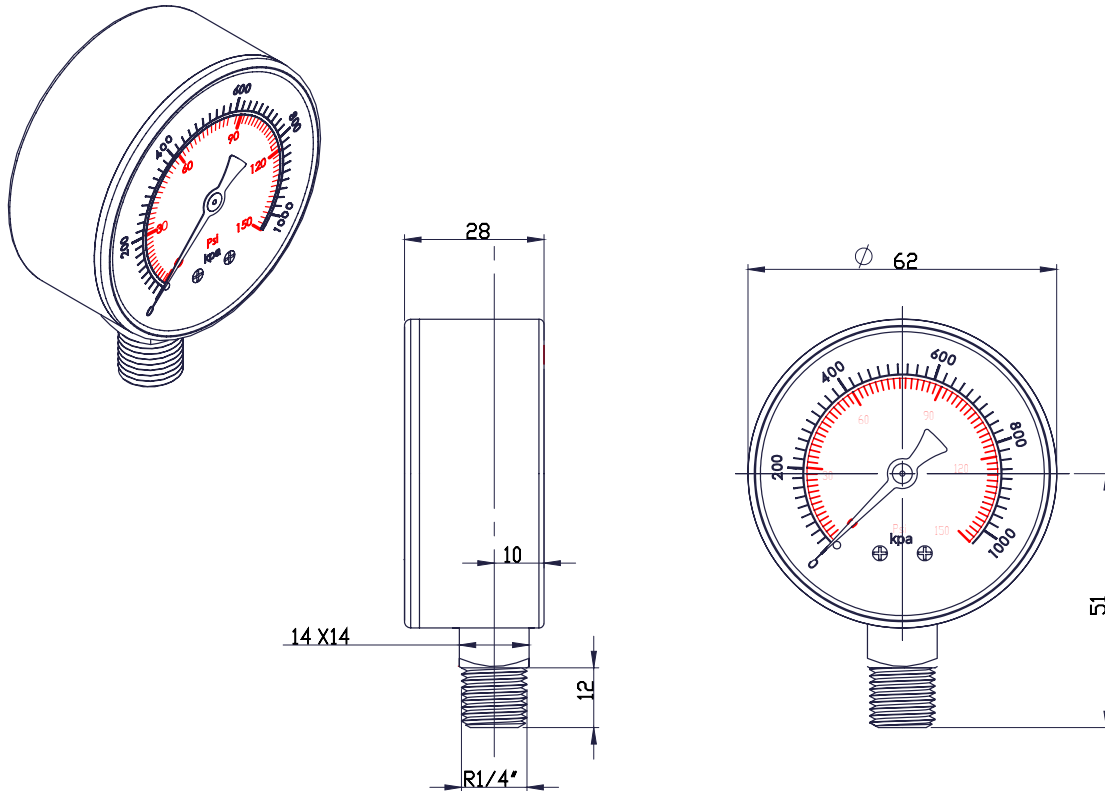
Note:* The "Accuracy Class" indicates the error margins in percent of the maximum scale reading.

Disclaimer Products in this specification manual must by regulation be installed by licensed and registered trade people. The manufacturer/distributor reserves the right to vary specifications or delete models from their range without prior notification. Dimensions and set-outs listed are correct at time of publication however the manufacturer/distributor takes no responsibility for printing errors.

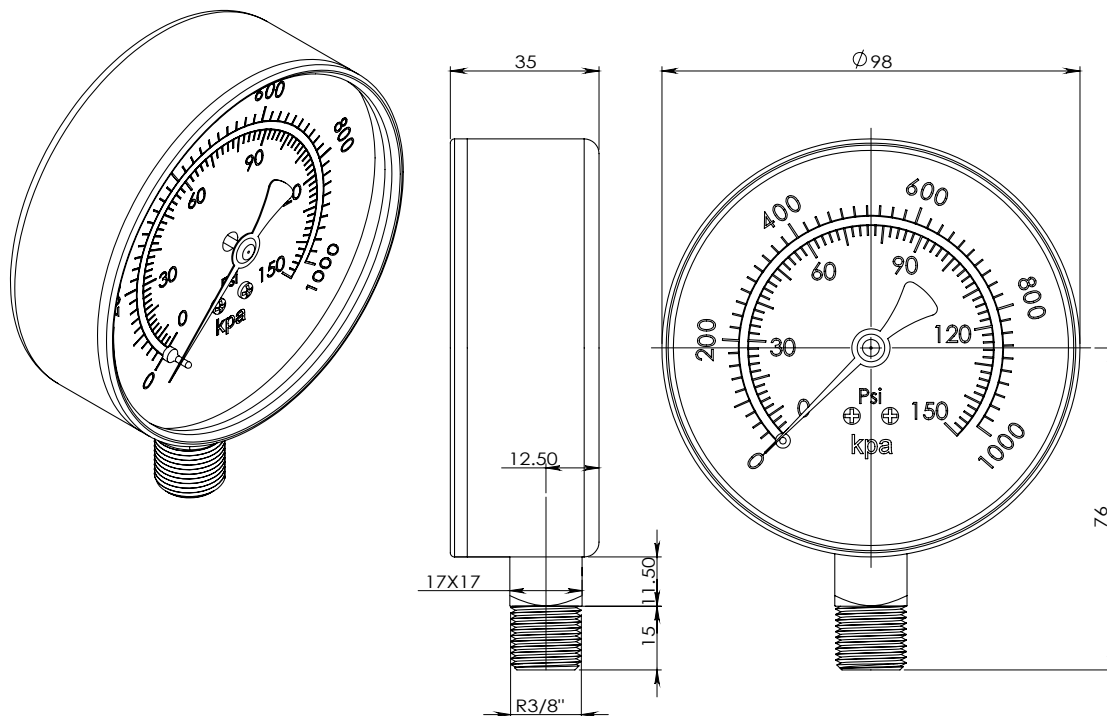


DURA PRESSURE GAUGE

DURA DRY PRESSURE GAUGE BOTTOM ENTRY 63MM

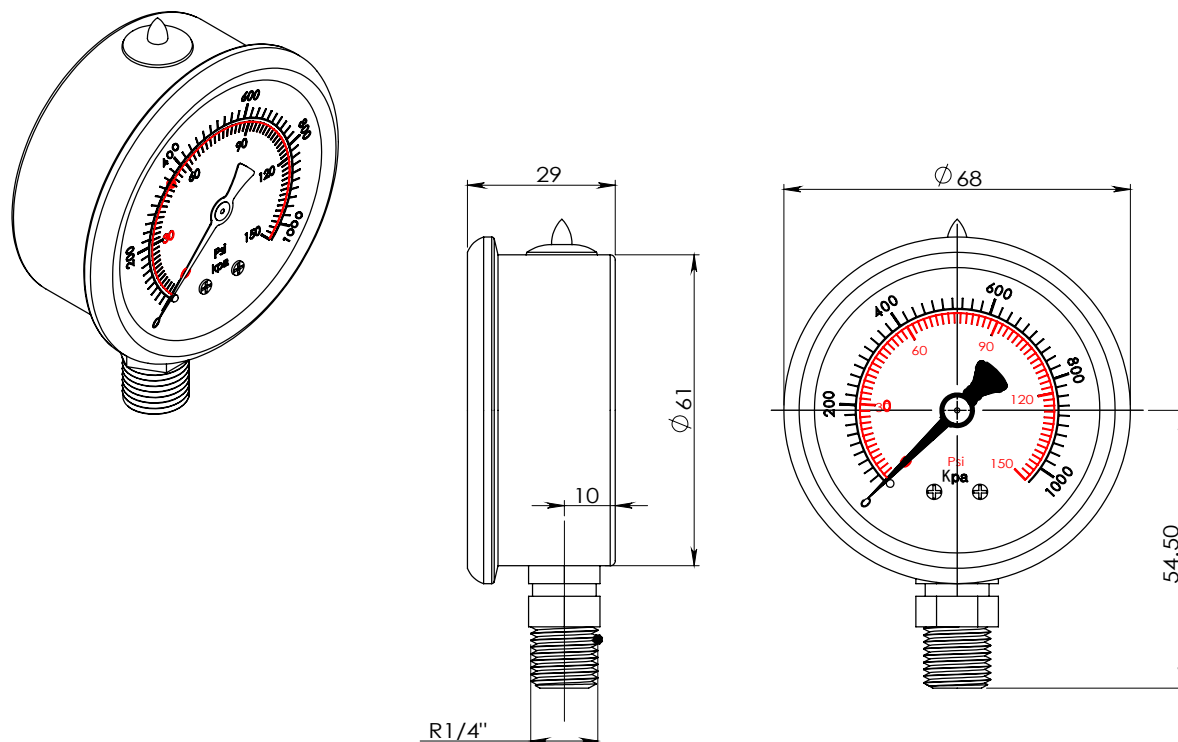


DURA DRY PRESSURE GAUGE BOTTOM ENTRY 100MM



DURA PRESSURE GAUGE

DURA LIQUID PRESSURE GAUGE BOTTOM ENTRY 63MM



INSTALLATION INSTRUCTIONS & IMPORTANT INFORMATION

- ▶ Gauges should be installed upright with isolation cock or valve.
- ▶ When screwing the gauges in, the force required for this must not be applied through the case or terminal box. Rather, only through the spanner flats provided for this purpose.
- ▶ The sealing of tapered threads is made by providing the thread with additional sealing material such as PTFE tape.
- ▶ After mounting the liquid filled gauges, pierce the soft silicone cone on top of the gauge to relieve any pressure remaining in the gauge case.
- ▶ The instruments should be protected against coarse dirt and wide fluctuations in ambient temperature which can provide an incorrect reading.
- ▶ Do not use pressure gauges without protection when pressure is widely fluctuating or when a mechanical vibration is transmitted to the gauge through either the piping or the mounting.

DURA PRESSURE GAUGE



REECE PRODUCT QUALITY GUARANTEE

You have purchased a quality product from Reece Pty Ltd ABN 84 004 097 090 ("Reece"). This product is covered by a 2 year product warranty.

12 MONTHS WARRANTY

This warranty covers faults in the product construction, material and assembly. Products which are within 12 months from the date of purchase, found upon inspection by an authorised Reece representative, to be defective in construction, material or assembly, will be repaired or exchanged with an equivalent product free of charge. Replaced items become Reece's property.

All replacement products will be available for collection without charge to the customer at the nearest Reece branch to the customer's location, or elsewhere as agreed between the customer and Reece.

Warranty Conditions

This warranty will apply only under all of the following conditions:

- The item has been installed by a licensed plumber
- Failure is due to a fault in the manufacture of the product
- Proof of purchase (including the date of purchase) is provided
- The installation of the product is in accordance with the instructions provided

This warranty does not cover products purchased as an ex-display without being fully checked and tested for sale by the manufacturer.

This warranty does not include faults caused by:

- Unsuitable or improper use
- Incorrect installation or installation not in accordance with the instructions provided
- Installation or part installation by the purchaser or any person other than a LICENSED PLUMBER or tradesperson licensed to install this product.
- Normal wear and tear
- Inadequate or complete lack of maintenance
- Chemical, electrochemical or electrical influences
- Harsh detergents or abrasive cleaners used on product finishes

EXCLUSIONS

To the fullest extent permitted by law, Reece excludes all liability for damage or injury to any person, damage to any property, and any indirect consequential or other loss or damage.

CLAIM PROCEDURE

For all warranty queries customers are to contact the branch where the product was purchased. These details can be found on your purchase invoice.

Our goods come with guarantees that cannot be excluded under the Australian Consumer Law. You are entitled to a replacement or refund for a major failure and for compensation for any other reasonably foreseeable loss or damage. You are also entitled to have the goods repaired or replaced if the goods fail to be of acceptable quality and the failure does not amount to a major failure.

Plumbers/Contractors, please ensure a copy of the installation instructions is left with the end user for future reference.

Don't risk it, use a licensed plumber.™

