

ESSENCE
WALL TOP ASSEMBLY ROUGH IN SET
MODEL # 29281000

Pure Freude
an Wasser



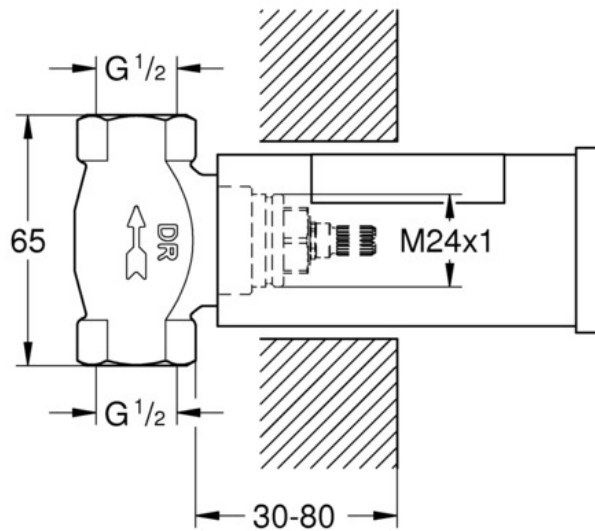
Product Specifications

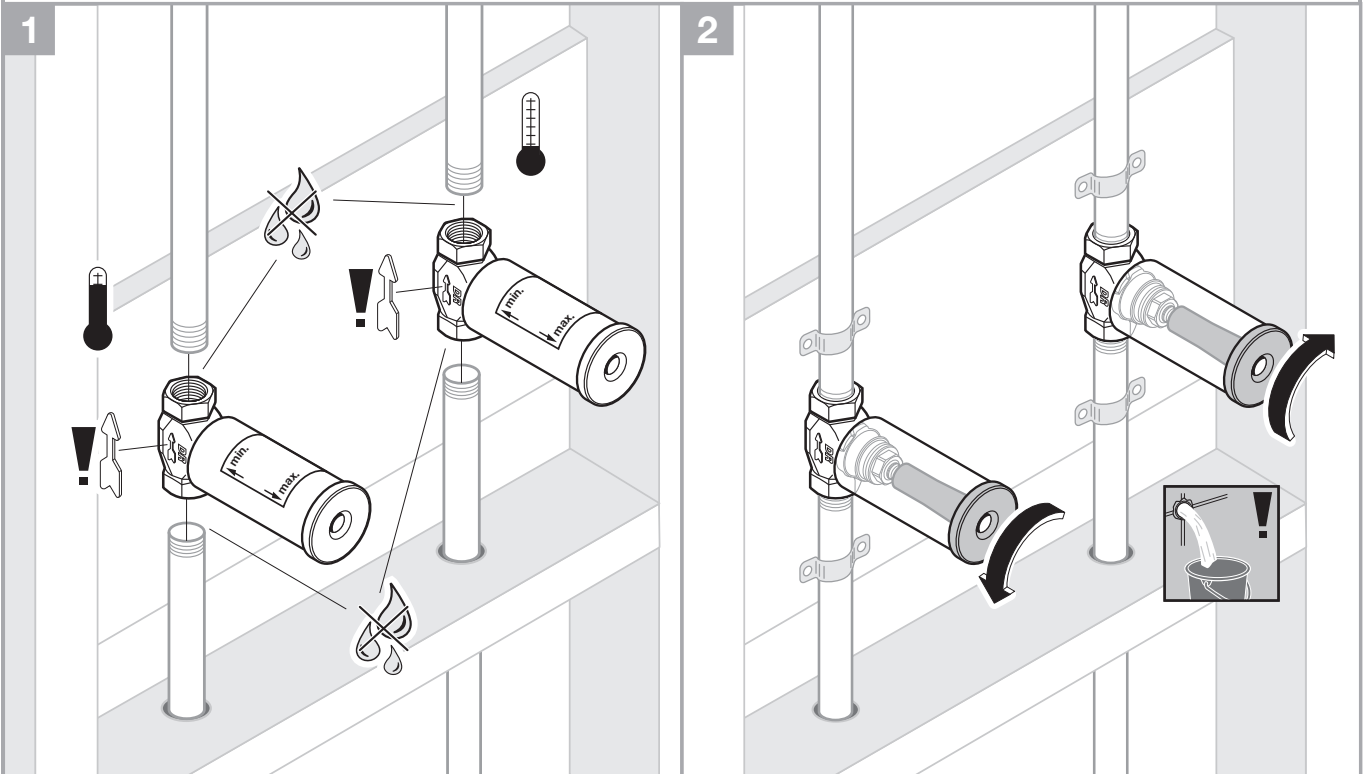
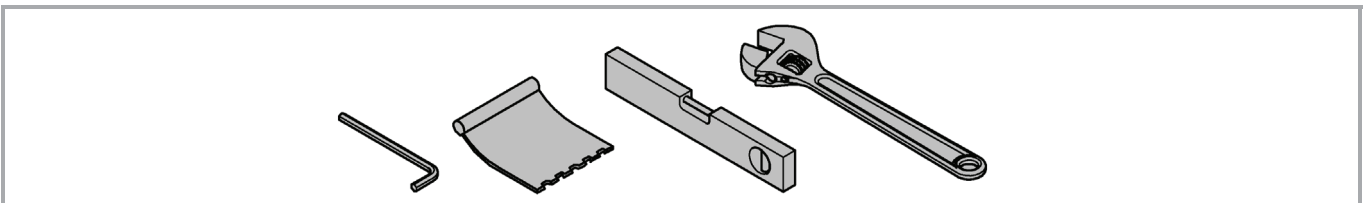
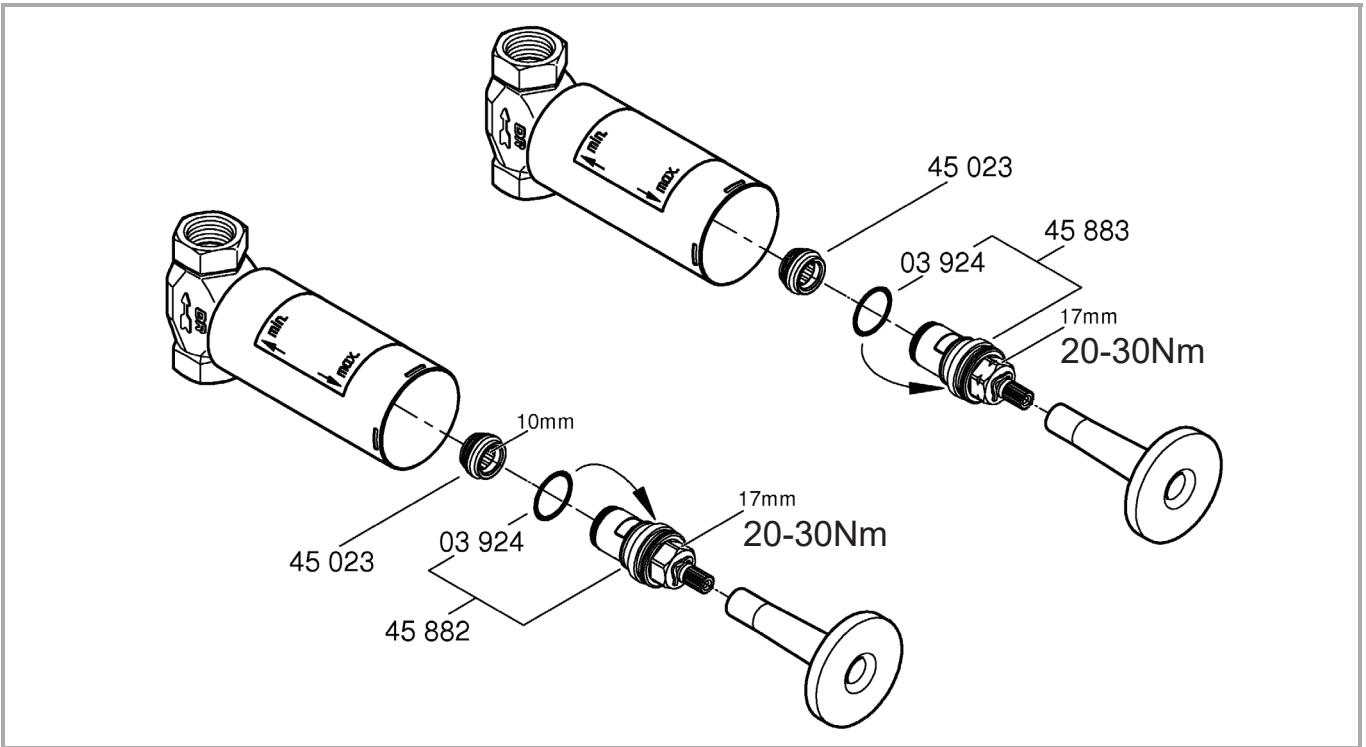


Product Description:

Essence wall top Assembly rough in set

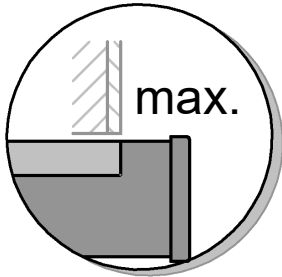
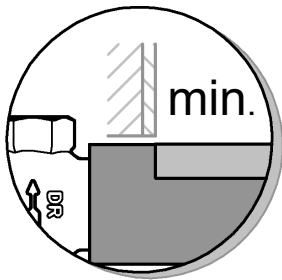
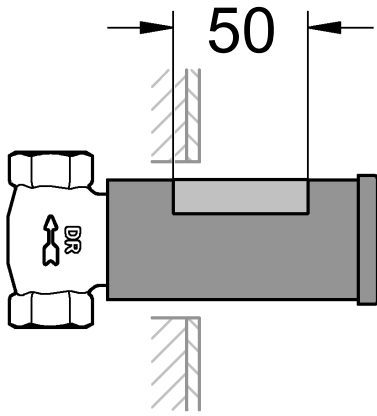
Ceramic headpart 1/2"
Ceramic sealing disks
Rotation angle 90°
Contra rotation



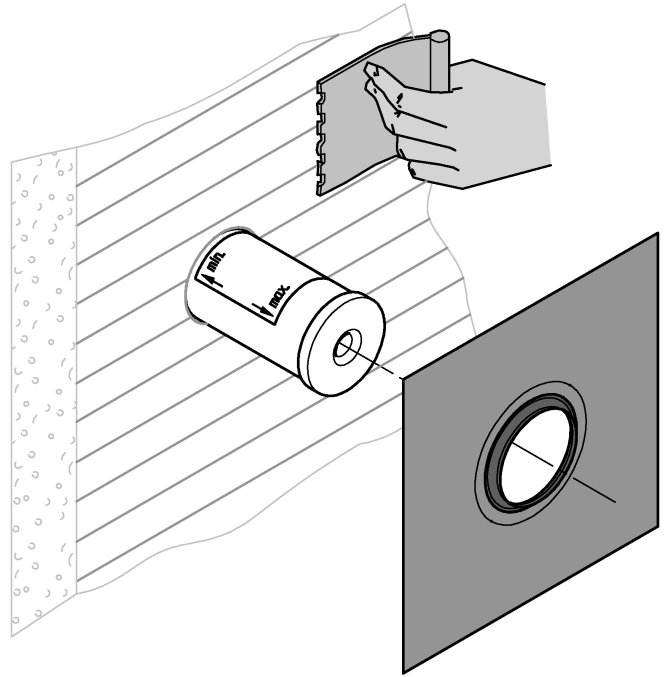




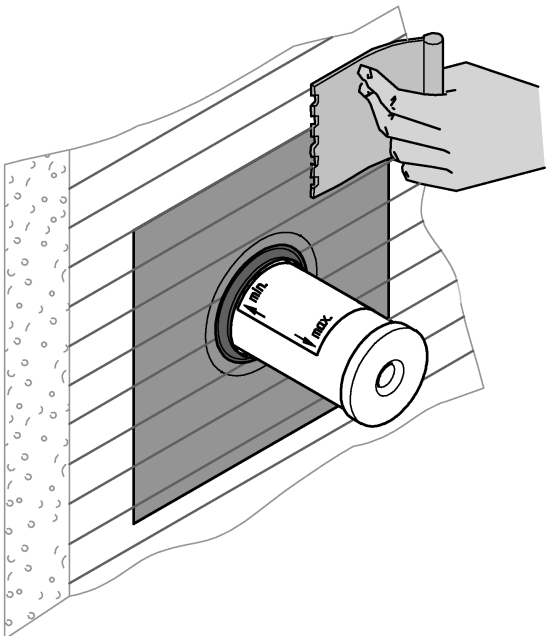
3



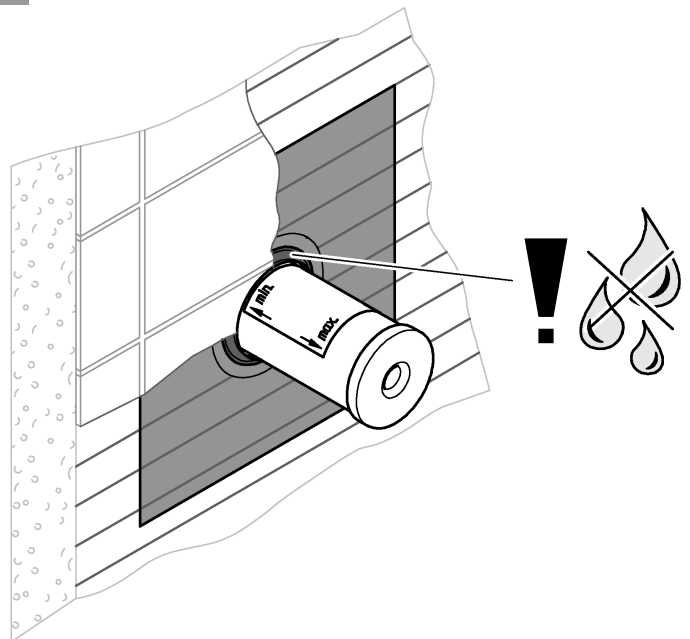
4



5



6



Application

- for bath

Can be used in conjunction with:

- Pressurised storage heaters
- Thermally controlled instantaneous heaters
- Hydraulically controlled instantaneous heaters

Operation with unpressurised storage heaters (open water heaters) is **not** possible.

Specifications

- Flow pressure min. 50 kPa
recommended 100 - 500kPa
- Operating pressure max. 1000 kPa
- Test pressure 1600 kPa

If static pressure is greater than 500 kPa, fit pressure reducer.

Avoid major pressure differences between cold and hot water supply.

- Temperature
Hot water inlet: maximum 70 °C
Recommended: (energy saving) 60 °C
- Water connection: cold - right
hot - left

Important:

Never install shut-off valves in the outlet pipe (mixed water) downstream of any built-in mixer.

Installation

Flush piping system prior and after installation of fitting thoroughly!

This product must be installed in conformance with local codes e.g. AS/NZS 3500 series of standard!

Installation and connection, see Figs [1] to [6].

Refer to the dimensional drawing.

- Stop valves with ceramic headparts are not suitable for installation as isolating valves (stop cocks).
- Screw out headparts before soldering.
- Caution: if the valve is installed not with the direction of flow as indicated on the body, it will not function properly.
- Tighten headpart with stall torque of 20-30Nm.

Open cold and hot-water supply and check connections for leakage!

Note: Do **not** remove the fitting template.

AUS

Reece Australia Pty Ltd
118 Burwood Hwy
Burwood VIC 3125

Tel.: +61 3 9274 0000
Email: admin@reece.com.au



NZ

Robertson
25 Vestey Drive
Mt Wellington, Auckland

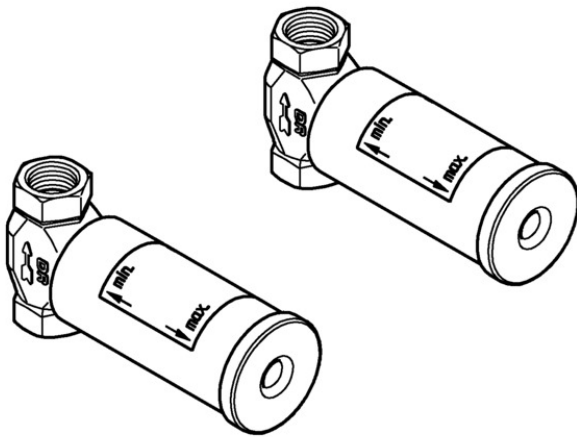
Tel.: +64 9 5730490
Email: sales@robertson.co.nz

ESSENCE
WALL TOP ASSEMBLY ROUGH IN SET
MODEL # 29281000

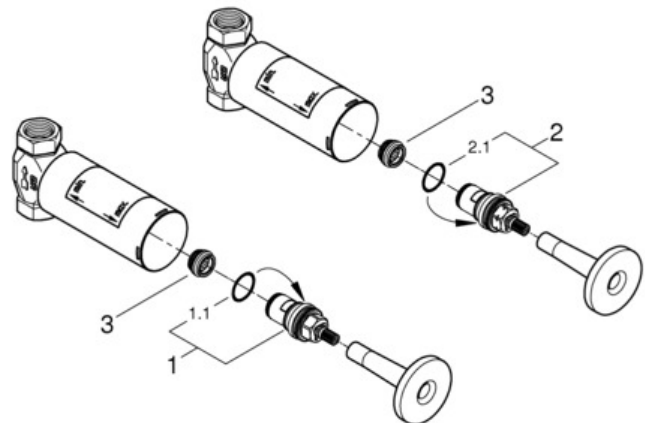
Pure Freude
an Wasser



Spare Parts

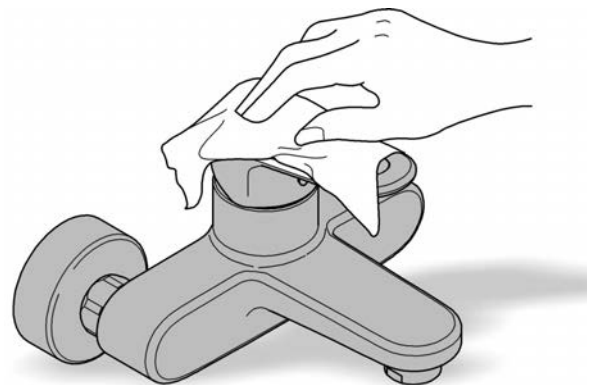
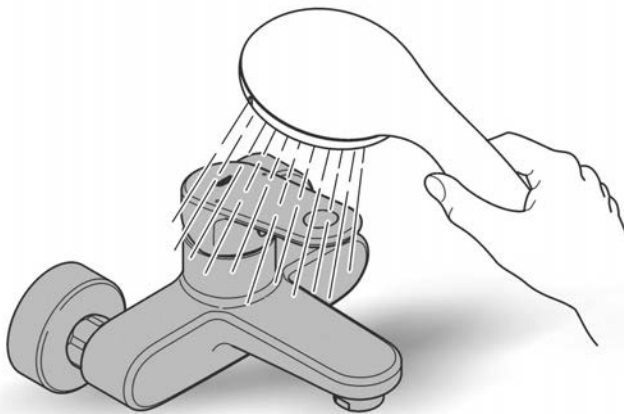
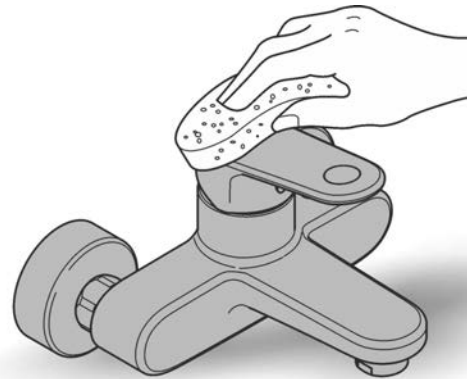


Pos.-nr.	Product Description	Order-nr.	Units per package
1	Spindle	45882000	1
1.1	Washer	03924000	1
2	Spindle	45883000	1
2.1	Washer	03924000	1
3	Seat	45023000	1





48166000



SpeedClean

