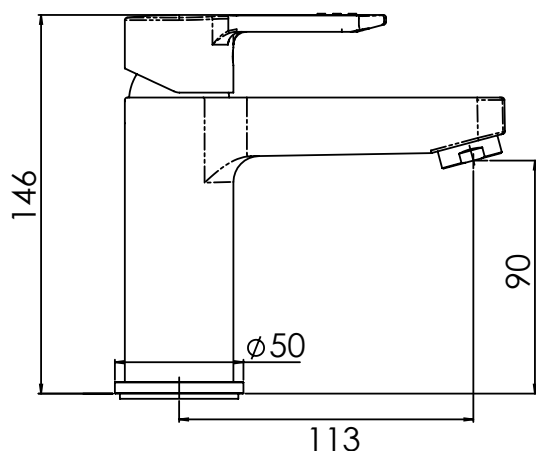


NOBILI

NEW ROAD BASIN MIXER



SPECIFICATIONS

Recommended use	Domestic, hotel and commercial
Colour availability	Chrome or Black
Pressure rating	Maximum continuous operating pressure 1000 kPa. As per AS3500 pressure must be limited to 500kPa on any new home, extension or renovation. For best performance and longer life we recommend max 150-500 kPa.
Temperature rating	Maximum continuous working temperature 65°
Suitable Hot Water Units	Storage tank: Yes Continuous Flow: Yes Gravity Feed: Not recommended
WELS	Stars: 4 Flow rate: 7.5 L/Min
Standards	AS/NZS 3718

CLEANING RECOMMENDATIONS

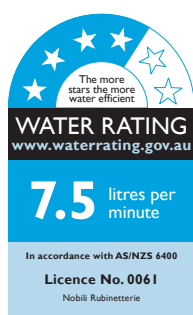
We recommend the use of soapy water or approved cleaners.

This product should not be cleaned with abrasive materials.

Damage caused by any improper treatment is not covered by the product warranty. Refer to Warranty Conditions.



To see the complete Nobili range go to www.reece.com.au/bathrooms



Disclaimer: Products in this specification manual must by regulation be installed by licensed and registered trade people. The manufacturer/distributor reserves the right to vary specifications or delete models from their range without prior notification. Dimensions and set-outs listed are correct at time of publication however the manufacturer/distributor takes no responsibility for printing errors.

Tech Page Version 3

NOBILI 



NOBILI

NEW ROAD BASIN MIXER

INSTALLATION INSTRUCTIONS

Note

Mixer must be installed by a licenced plumber.

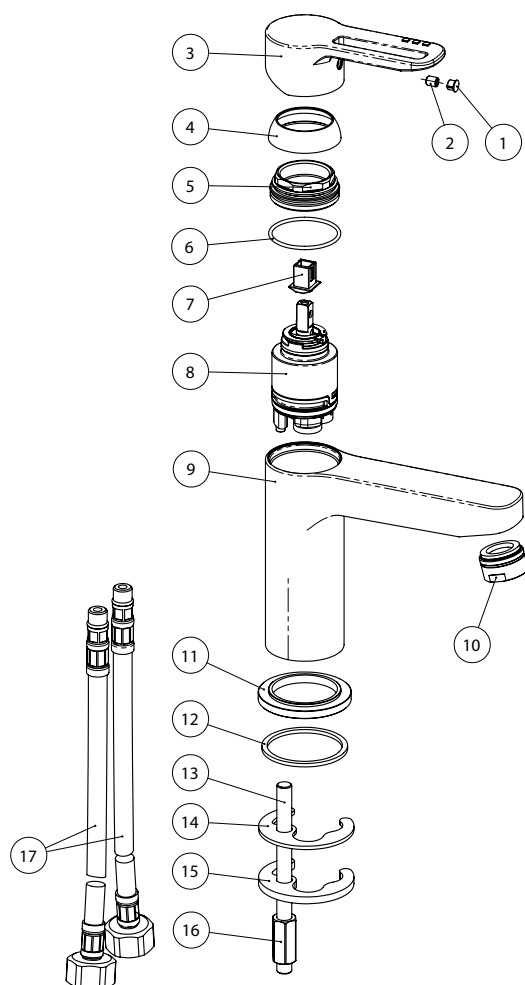
Important

Your mixer comes to you already factory assembled and tested. We do not recommend the dismantling of any internal part of the mixer. The mixers are factory tested and sealed so as to give the best performance.

SERVICING—Must be carried out by a licenced plumber

INSTALLATION PROCEDURE

1. Please flush out new pipe work prior to connecting the new mixer.
2. All mixers should be installed with isolating stop cocks (Arco).
3. In some areas where the incoming water exceeds 500kpa, an approved pressure limiting device must be installed. Equal pressure for hot and cold water supply is required for this single lever mixer.
4. Mixers are recommended for use on mains pressure and instantaneous systems only.
5. Place the dress ring, washer & body into position (11, 12 & 9).
6. Ensure that the flexible hoses (17) are firmly tightened into base of the tap body (9).
7. Lock the mixer onto the basin by tightening the nut (16).
8. Check for leaks.



EXPLODED VIEW

Item	Description
1	Indicator Button
2	Grub Screw
3	Handle
4	Dome
5	Lock Nut
6	O-Ring
7	Thermal Cap
8	Cartridge
9	Body
10	Aerator
11	Dress Ring
12	Rubber Sealing Washer
13	Shank
14	Rubber Horse Shoe Gasket
15	Horse Shoe Fixing Plate
16	Nut
17	Flexible Hose (Hot and Cold)

Plumbers, please ensure a copy of the installation instructions is left with the end user for future reference