

Mizu Stream Wall Bath Mixer Set

INSTALLATION INSTRUCTIONS

Note:

Mixer must be installed to the requirements of AS/NZS 3500 by a qualified plumber.

Important:

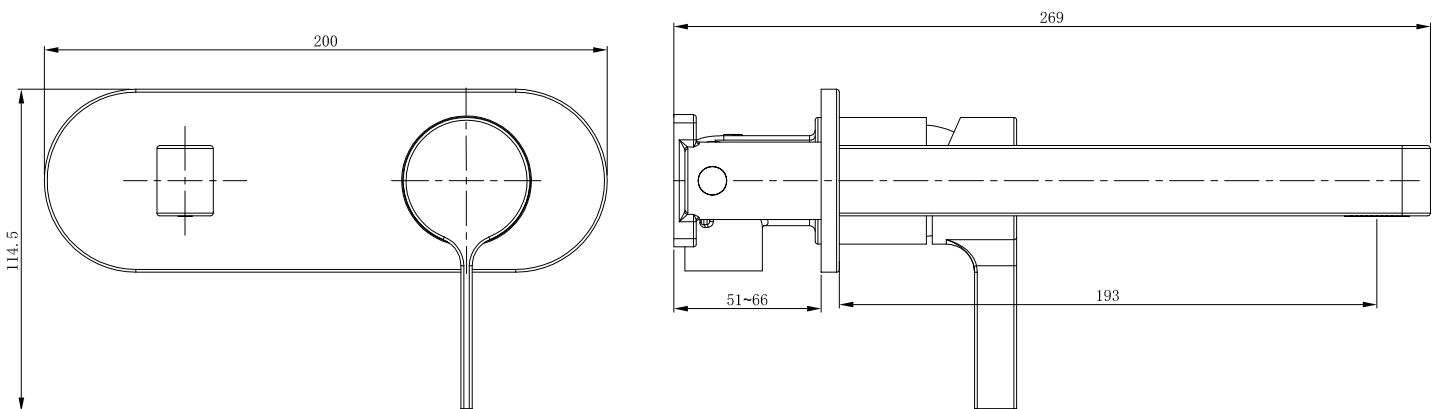
Your mixer comes to you already factory assembled and tested. We do not recommend the dismantling of any internal part of the mixer. The mixers are factory tested and sealed so as to give the best performance.

Installation Procedure:

1. Please flush out new pipe work prior to connecting the new mixer.
2. This mixer is suitable for high pressure where both hot and cold water supply is at 150kPa or above.
3. During installation protect the exposed finish surface by using the plastic cover provided. Please pay attention to the minimum/maximum depth. Allow for finished wall thickness.
4. In a typical installation, the mixer is mounted on the timber/metal noggin and secured with screws (not provided).
5. NOTE: Ensure mixer body is level.
6. Mixer must be installed with water outlet on the left. Connect the mixer to hot and cold water supply as per markings on mixer body.
7. Pressure test all connections. Leaking joints are not covered by the warranty.
8. When the wall is finished, remove the plastic cover and fit dress plate, handle and outlet by securing grub screw.

Servicing - Replacement of Cartridge

1. Remove cap and unscrew grub screw using allen key.
2. Lift off handle and remove cartridge dome, unscrew brass locking nut and lift out cartridge.
3. Replace cartridge, replace brass locking nut and replace handle. Tighten grub screw and push in indicator cap.



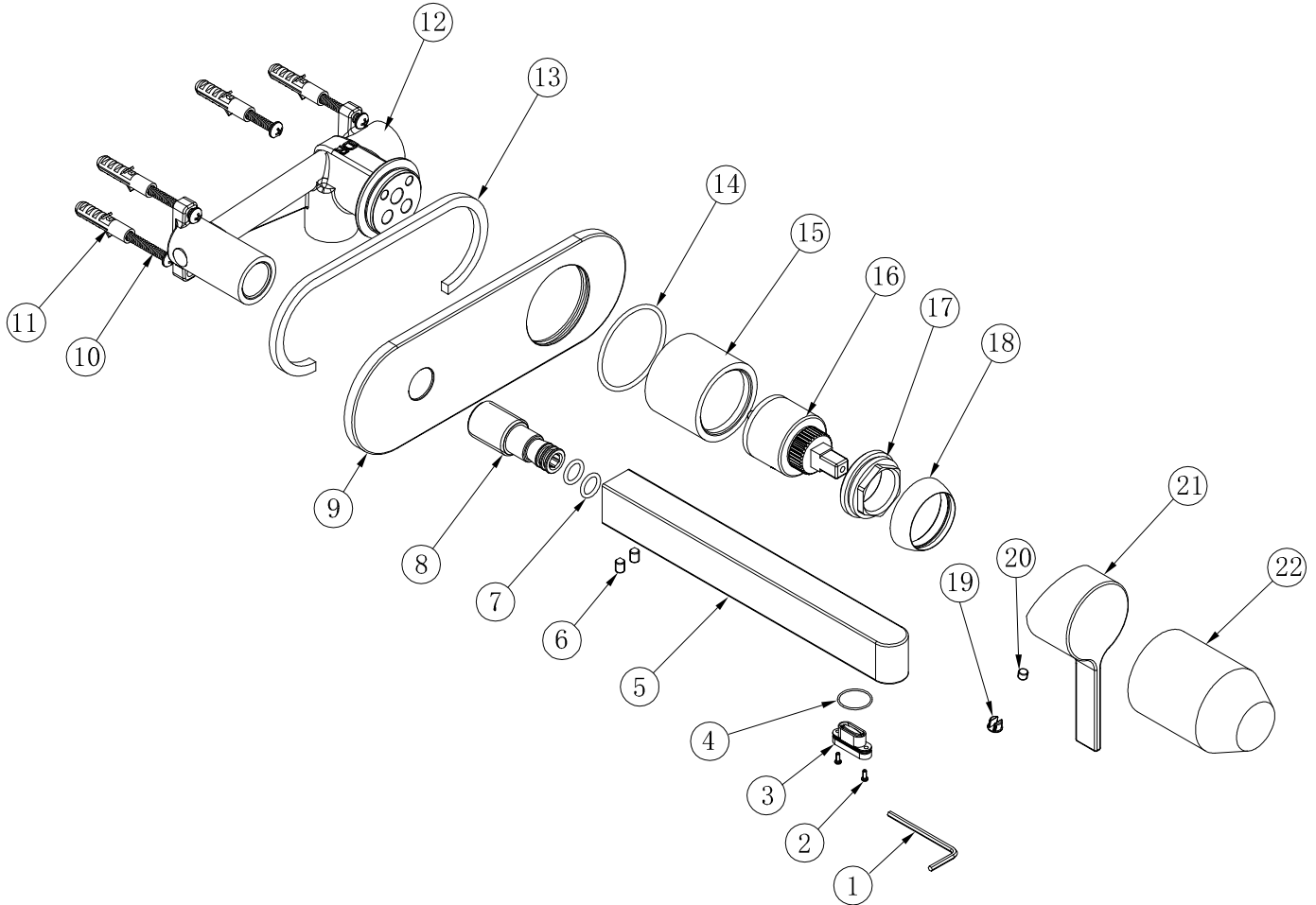
Dimensions are nominal measurements only.

Please ensure a copy of the installation instructions is left with the end user for future reference.

Published 14/08/2020

Mizu Stream Wall Bath Mixer Set

COMPONENT LISTING: ONE PIECE



| DIAGRAM NUMBER | DESCRIPTION | COMPONENT CODE | DIAGRAM NUMBER | DESCRIPTION | COMPONENT CODE |
|----------------|---------------------|----------------|----------------|-------------------------|-----------------|
| 1 | Spanner | 202060041601 | 12 | Body | 201633100111-DR |
| 2 | Set Screw | 205011831601 | 13 | Foam-Rubber Cushion | 207011131771 |
| 3 | Aerator | 203020140701 | 14 | O-Ring D44.5*D2.3 (NBR) | 208000640601 |
| 4 | O-Ring | 201704240101 | 15 | Cartridge Cover | 206090700126 |
| 5 | Spout | 203129220126 | 16 | Cartridge | 204010679901 |
| 6 | Set Screw | 205010851601 | 17 | Bonnet | 205020030102 |
| 7 | O-Ring D10*D2 (NBR) | 208000250601 | 18 | Cap | 205050400126 |
| 8 | Push-in Connector | 205073320126 | 19 | Plug | 202030410799 |
| 9 | Panel | 206025450126 | 20 | Set Screw | 205010641601 |
| 10 | Self Tapping Screw | 205011321601 | 21 | Handle | 202010250226 |
| 11 | Expansion Screw | 207040480701 | 22 | Safety | 206020850701 |

Dimensions are nominal measurements only.

Please ensure a copy of the installation instructions is left with the end user for future reference.

Published 14/08/2020

Mizu Stream Wall Bath Mixer Set

INSTALLATION INSTRUCTIONS

Note:

Mixer must be installed to the requirements of AS/NZS 3500 by a qualified plumber.

Important:

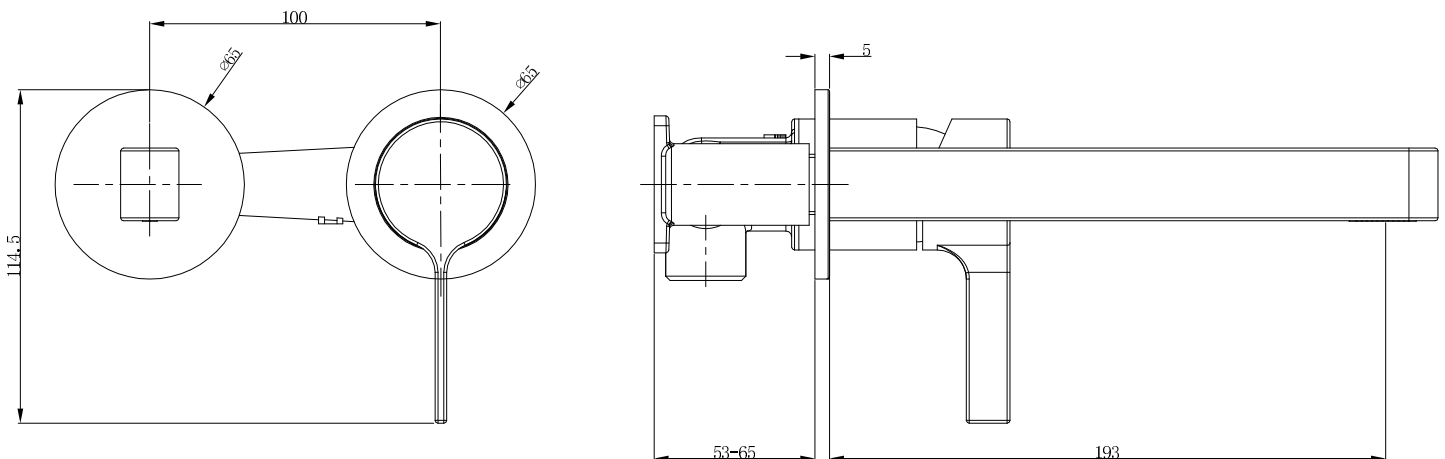
Your mixer comes to you already factory assembled and tested. We do not recommend the dismantling of any internal part of the mixer. The mixers are factory tested and sealed so as to give the best performance.

Installation Procedure:

1. Please flush out new pipe work prior to connecting the new mixer.
2. This mixer is suitable for high pressure where both hot and cold water supply is at 150kPa or above.
3. During installation protect the exposed finish surface by using the plastic cover provided. Please pay attention to the minimum/maximum depth. Allow for finished wall thickness.
4. In a typical installation, the mixer is mounted on the timber/metal noggin and secured with screws (not provided).
5. NOTE: Ensure mixer body is level.
6. Mixer must be installed with water outlet on the left. Connect the mixer to hot and cold water supply as per markings on mixer body.
7. Pressure test all connections. Leaking joints are not covered by the warranty.
8. When the wall is finished, remove the plastic cover and fit dress plate, handle and outlet by securing grub screw.

Servicing - Replacement of Cartridge

1. Remove cap and unscrew grub screw using allen key.
2. Lift off handle and remove cartridge dome, unscrew brass locking nut and lift out cartridge.
3. Replace cartridge, replace brass locking nut and replace handle. Tighten grub screw and push in indicator cap.



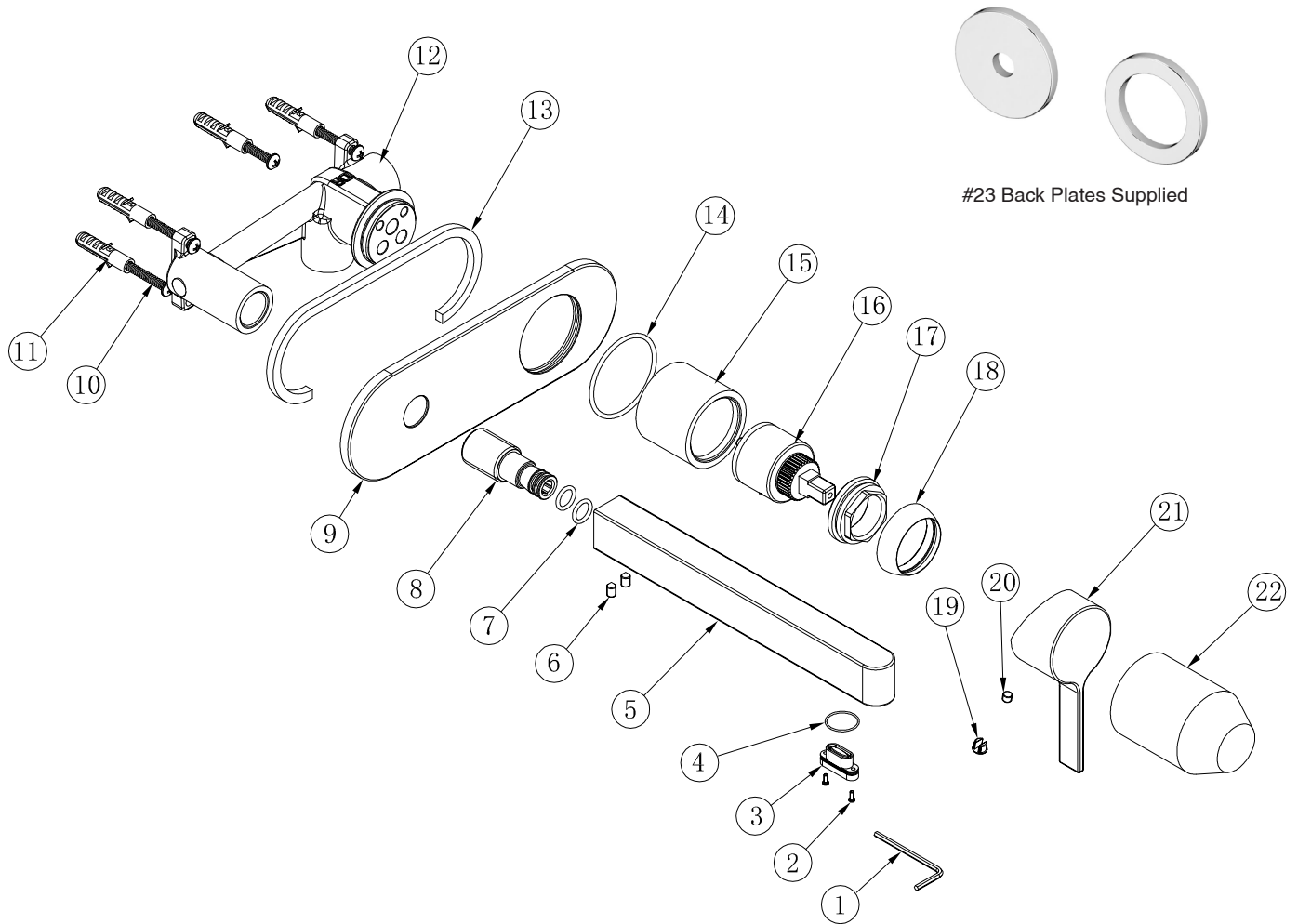
Dimensions are nominal measurements only.

Please ensure a copy of the installation instructions is left with the end user for future reference.

Published 14/08/2020

Mizu Stream Wall Bath Mixer Set

COMPONENT LISTING: TWO PIECE



#23 Back Plates Supplied

| DIAGRAM NUMBER | DESCRIPTION | COMPONENT CODE | DIAGRAM NUMBER | DESCRIPTION | COMPONENT CODE |
|----------------|---------------------|----------------|----------------|---|------------------------------|
| 1 | Spanner | 202060041601 | 12 | Body | 201633100111-DR |
| 2 | Set Screw | 205011831601 | 13 | Foam-Rubber Cusion | 207011131771 |
| 3 | Aerator | 203020140701 | 14 | O-Ring D44.5*D2.3 (NBR) | 208000640601 |
| 4 | O-Ring | 201704240101 | 15 | Cartridge Cover | 206090700126 |
| 5 | Spout | 203129220126 | 16 | Cartridge | 204010679901 |
| 6 | Set Screw | 205010851601 | 17 | Bonnet | 205020030102 |
| 7 | O-Ring D10*D2 (NBR) | 208000250601 | 18 | Cap | 205050400126 |
| 8 | Push-in Connector | 205073320126 | 19 | Plug | 202030410799 |
| 9 | Panel | 206025450126 | 20 | Set Screw | 205010641601 |
| 10 | Self Tapping Screw | 205011321601 | 21 | Handle | 202010250226 |
| 11 | Expansion Screw | 207040480701 | 22 | Safety | 206020850701 |
| | | | 23 | 2 - Piece Cover Plate Chrome 2 - Piece Cover Plate Black | 206208589926 206208589979 |

Dimensions are nominal measurements only.

Please ensure a copy of the installation instructions is left with the end user for future reference.

Published 14/08/2020