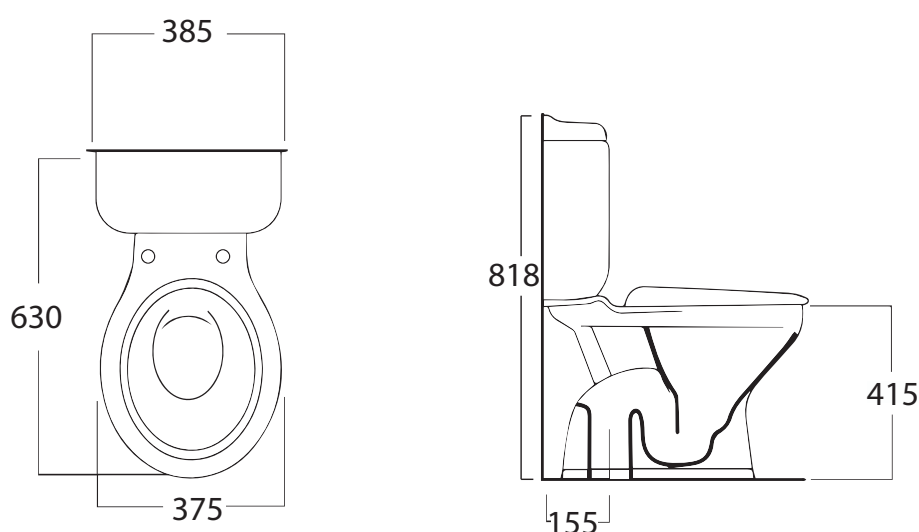


Posh Canterbury Close Coupled Toilet Suite (4 Star)

INSTALLATION

1. Position pan onto connector and then cistern onto pan. Check that cistern aligns with finished wall. If necessary make adjustments to pan position.
2. Mark off position of pan fixing holes, remove pan and cistern and drill holes in position marked.
3. Apply flexible sealant to base of pan and carefully position pan onto pan connector and screw pan into pre-drilled holes using corrosion resistant screws (not supplied). Remove excess sealant.
4. Place foam coupling seal over threaded outlet on bottom of cistern and remove metal washers and wing nuts.
5. Lower cistern gently onto pan locating fixing bolts into matching bolt holes on pan.
6. Secure cistern to pan by re-installing wing nuts/metal washers, alternating sides until cistern is mounted square onto pan. Do not use sealant.
7. Connect water supply to the inlet valve. (Recommended with flexible connector).
8. Fill the cistern and ensure correct water level. For adjustment refer separate instructions for inlet.
9. Fit cistern lid and flush toilet. Check for leaks. For adjustment and troubleshooting on outlet valve refer separate instructions.



Dimensions are nominal measurements only.

Plumbers, please ensure a copy of the installation instructions is left with the end user for future reference.