

# RHEEM 610 SERIES

SUITED TO INTEGRATION  
WITH ALMOST ANY SYSTEM



LARGER  
ANODE

50 mm  
HIGH FLOW  
CONNECTION

NO  
PRESSURE  
DROP



The work-horse storage system that keeps on working, in a wider range of water quality environments.

## Flexible

Compatible with CFWH, Raypak, solar preheat and heat pump storage or as additional storage for a Rheem gas or electric hot water system.

## Highly durable in poor water quality areas

Manufactured with commercial grade vitreous enamel and larger anode.

## Stable pressure

No coils means there's virtually no pressure drop.

## More key features

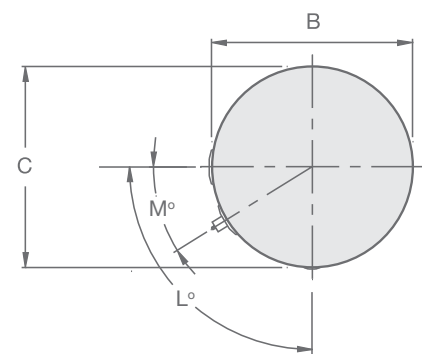
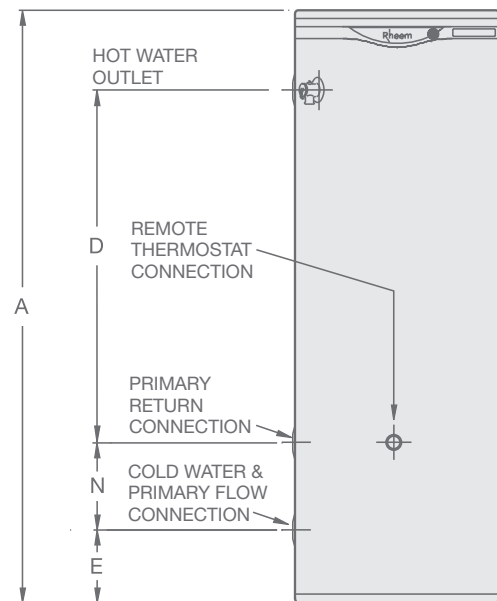
- Suitable for up to 82° C for sanitising applications
- Range of sizes
- 50mm high flow water connections
- Ease of fitment and replacement



Rheem 610 Series warranty: 5 years on cylinder, 1 year on parts & labour

# TECHNICAL DATA

DIMENSIONS AND TECHNICAL DATA TABLE				
Model number		A610340	A610430	
		vitreous enamel		
Storage capacity	Litres	325	410	
Dimensions	A	mm	1640	1840
	B	mm	640	685
	C	mm	640	685
	D	mm	1008	1210
	E	mm	115	108
	F	mm	-	-
	G	mm	-	-
	H	mm	-	-
	J	mm	290	273
	P	mm	-	-
Q	mm	-	-	
K	degrees	-	-	
L	degrees	90°	84°	
M	degrees	32°	30°	
N	mm	290	273	
Weight Empty	kg	96	117	
Inlet/Outlet Connections (BSPF)		RP2	RP2	
T&PR Valve Connection (BSPF)		RP¾	RP¾	
Vent Connection (BSPF)		-	-	
Drain Connection (BSPF)		-	-	
Remote Thermostat Connection (1 x thermowell supplied)		RP½	RP½	
T&PR Valve Setting	kPa	1000	1000	
Expansion Control Valve (ECV)* Setting	kPa	850	850	
Maximum Water Supply Pressure				
without ECV* fitted	kPa	800	800	
with ECV* fitted	kPa	680	680	
Maximum Stored Water Temperature	°C	82	82	
Manifold – Min. Centre to Centre	mm	890	935	
Maintenance Rate	kWH/day	3.1	4.3	



\*Expansion control valve (ECV) not supplied with the water heater.