

KADO

LUX ALL DRAWER - STANDARD BENCHTOP FLOOR MOUNT VANITY



SPECIFICATIONS

Recommended Use	Domestic, Hotel and Commercial
Vanity Top Material	Cherry Pie (20mm) or Durasein (12mm). Basin sold separately For more information please refer to the Colour Finish and Material Variations Document.
Vanity Unit Material	MDF MR E0 (Medium Density Fibreboard, Moisture Resistant, Rated Emission Level E0)
Vanity Colour Variations	Matte White, Matte Feather Grey, Matte Milton Moon Grey and Matte Black Polyurethane. Prime Oak Woodmatt Textured Woodgrain. For more information please refer to the Colour Finish and Material Variations Document. (Custom polyurethane colours available, incurs a surcharge).
Interior Finish	Graphite Grey
Tap Hole Availability	0, 1 or 3 Tap Holes (pending basin selection)
Waste	Chrome Universal Plug & Waste 40mm Outlet (included). *Note: Recommended trap DURA Short Trap.
Fixing	Bolted/Screwed to the wall by a licensed tradesperson- Fixings not included.
Drawers/Inclusions	ADP Premium Soft-Close drawers.
Options	Cross Bar Handles available in <i>Chrome, Matte Black, Matte White, Brushed Nickel, Polished Rose Gold Polished Gold or Brushed Gold</i> . Blaze Handles (not available on Prime Oak Vanities) available <i>Matte Black, Brushed Nickel, Matte White, Brushed Brass</i> Seashell Handle (not available on Prime Oak Vanities) available <i>Chrome, Brushed Nickel, Matte Black and Brushed Brass</i> .



To see the complete KADO range go to www.reece.com.au/bathrooms

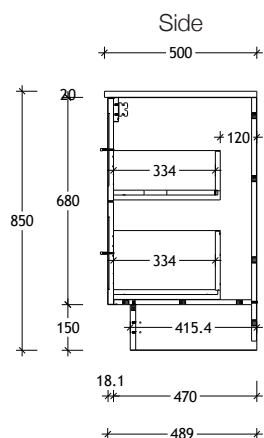
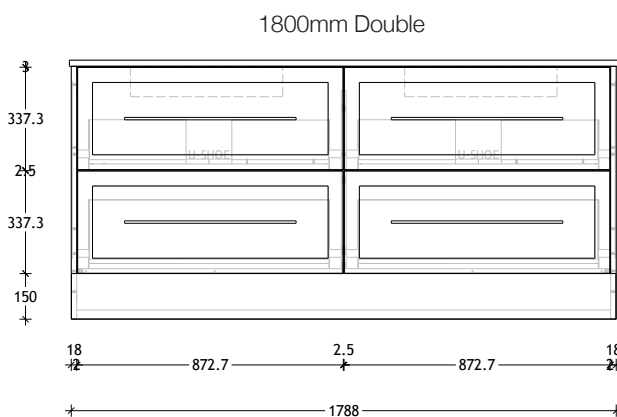
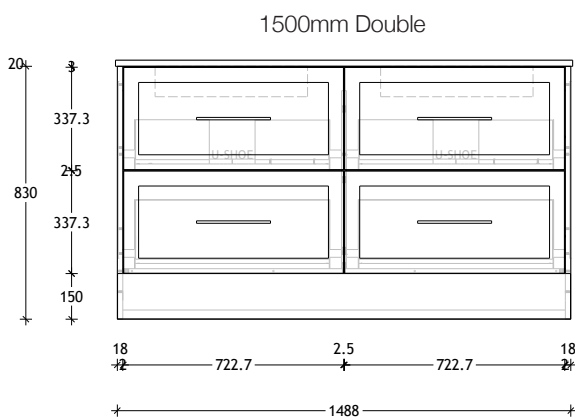
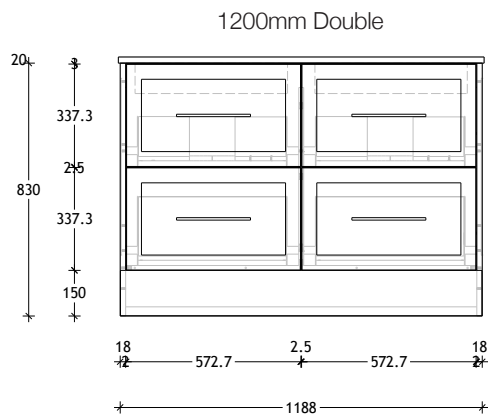
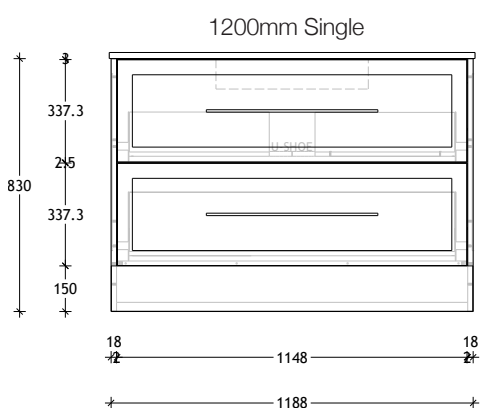
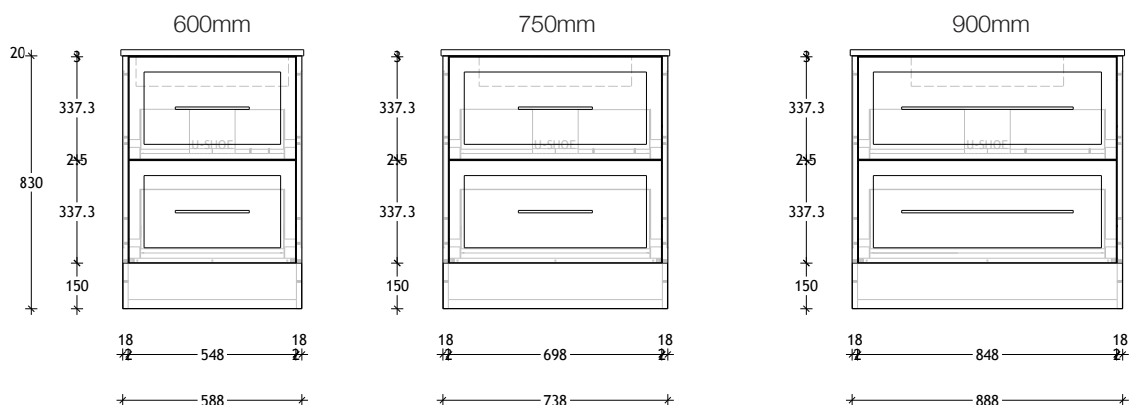
STANDARD SIZES	600mm	750mm	900mm	1200mm Single	1200mm Double	1500mm Double	1800mm Double
Width (mm)	600	750	900	1200	1200	1500	1800
Depth (mm)	500	500	500	500	500	500	500
Height (mm) Cherry Pie / Durasein	850/842	850/842	850/842	850/842	850/842	850/842	850/842
Number of Drawers	2	2	2	2	4	4	4
Basin Configurations	Centre	Centre	Centre	Centre	Double	Double	Double

Disclaimer: Products in this specification manual must by regulation be installed by licensed and registered trade people. The manufacturer/distributor reserves the right to vary specifications or delete models from their range without prior notification. Dimensions are nominal measurements only. Dimensions and set-outs listed are correct at time of publication however the manufacturer/distributor takes no responsibility for printing errors.

Tech Page Version 3

KADO

LUX ALL DRAWER - STANDARD BENCHTOP FLOOR MOUNT VANITY



Dimensions are nominal measurements only.