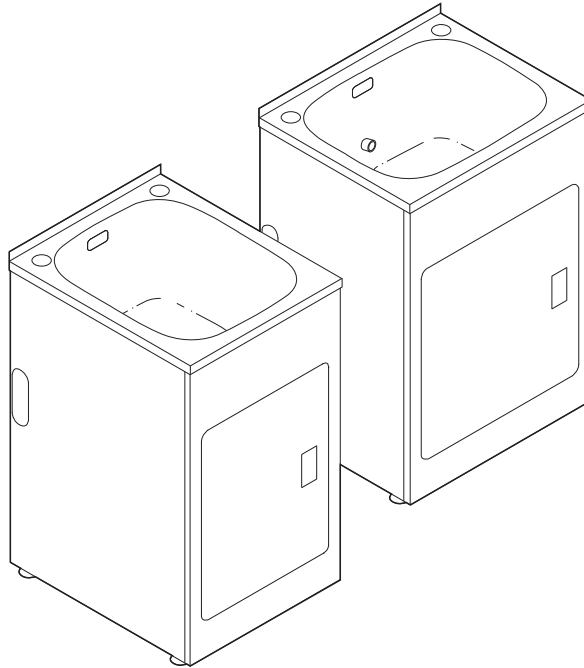


Posh Solus MK2 45 Litre Standard & Compact Laundry & Cabinet with 1 Taphole, By-Pass & Overflow Left Hand & Right Hand



Compliance



Comply with current Drainage and Plumbing Regulations as required by your local authority. Sanitary plumbing shall only be carried out by a Registered Plumber. all plumbing work must be done in accordance with local and national building and plumbing codes as applicable.

Safety Information



This laundry tub is not intended for use by younger children or infirm persons without supervision. Young children should be supervised to ensure that they do not play with the unit.



DO NOT use abrasive household cleaners on the trough or cabinet surface.

Note: Prior to Installation check trough and cabinet for any defects or signs of damage. Do not install if defects or damage found.

Note: Reversible Door for Right Hand or Left Hand Opening.

Note: Four Adjustable Feet for levelling (Pre-fitted).

Note: Side Cut outs for Left Hand or Right Hand washing machine hoses.

Check



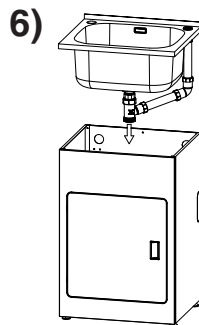
Use adjustable feet as necessary to ensure cabinet is level.

Posh Solus MK2 45 Litre Standard & Compact Laundry & Cabinet with 1 Taphole, By-Pass & Overflow Left Hand & Right Hand

Installation

Note: Prior to installation, determine position that Trough and Cabinet will be installed. Either to left or right of washing machine

1. Place cabinet in position and if levelling is required do so by adjusting the pre-fitted adjustable feet using appropriate hex wrench.
 2. Determine side that washing machine supply hoses will come from. Remove access cover from the side where the hoses will go through.
 3. Determine if door is going to be left hand or right hand opening and reverse If required (refer Reversing Door instructions below).
 4. If not already pre-assembled fit Overflow Assembly (Refer Overflow assembly detail).
 5. If not pre-assembled, assemble and fit the included trough and bypass kit to waste and to either LH or RH by-pass hole.
 6. Place fully assembled trough into cabinet. Ensure it fits evenly on cabinet and is level.
- Note: Suitable Sealant or non corrosive screws can be used to secure cabinet to wall.**
7. Fit off all plumbing connections within the cabinet space.
 8. Once all plumbed fill trough and check for any leaks. Also fill to overflow level and check for any leaks.

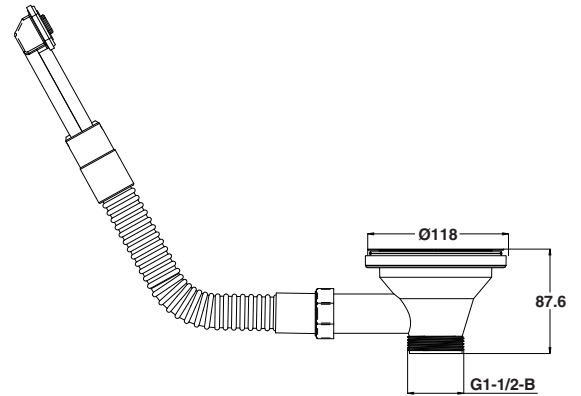
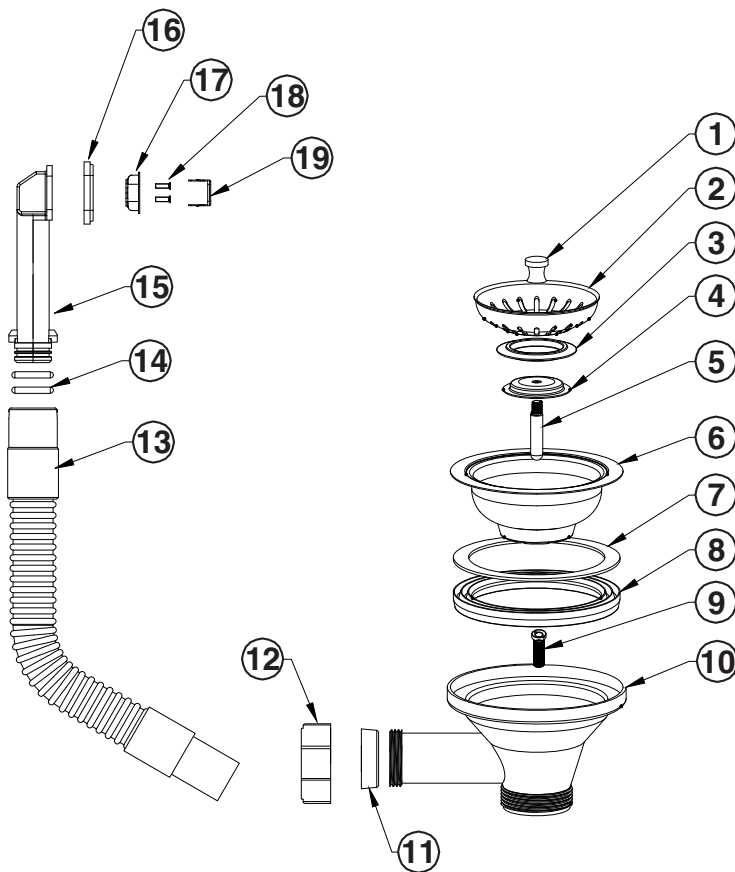


Reversing Door

1. Open the door to its most open position. Unscrew the pivot pin in the bottom left hand corner. From inside the unit pull the hinge pin downwards to release the door.
2. Manoeuvre the door to allow removal from the Laundry tub.
3. Unscrew the door pivot pin in the top left hand corner. Pull the hinge pin upwards from the inside of the unit.
4. Insert the hinge pin in the bottom right hand location and secure in position.
5. Remove hardware (magnets ,screws etc from LH side of cabinet and fit to alternate side
6. Turn door around. Locate the door on the bottom right pin. Swing the door fully open and insert the hinge pin in the top right location and push down to locate in the door.
7. Secure the door pivot pins. Check operation of the door.

Posh Solus MK2 45 Litre Standard & Compact Laundry & Cabinet with 1 Taphole, By-Pass & Overflow Left Hand & Right Hand

Overflow Assembly



Pt. #	Qty.	Description
1	1	
2	1	
3	1	Basket Waste Plug Assembled
4	1	
5	1	
6	1	Filter Bowl
7	1	Upper Ring
8	1	Lower Ring
9	1	Screw
10	1	Basket Waste Outer Shell
11	1	Screw Nut Seal Ring
12	1	G1-11/8 Screw Nut
13	1	Overflow Hose
14	2	Seal Ring
15	1	Overflow Kit Connector
16	1	Overflow Kit Seal Ring
17	1	Overflow Kit Fixing Plate
18	2	Cross Grooved Screw Seal Ring
19	1	Overflow Flow Decorative Plate

- To mount overflow channel to trough screw fixing plate (17) into connector (15) using two screws (18). Then Push on decorative cover (19). No silicone required.
- Fit of overflow waste by connecting hose (13) to basket waste body (10) by tightening screw nut (12).
- Fit off balance of basket waste components as per sequence in drawing.

Note: Basket waste plug (1-5) comes already assembled.

Care Details

We recommend the use of soapy water or approved cleaners. This product should not be cleaned with abrasive materials. Damage caused by any improper treatment is not covered by the product warranty - refer to Warranty Conditions on the last page.

Plumbers, please ensure a copy of the installation instruction is left with the end user for future reference.

