



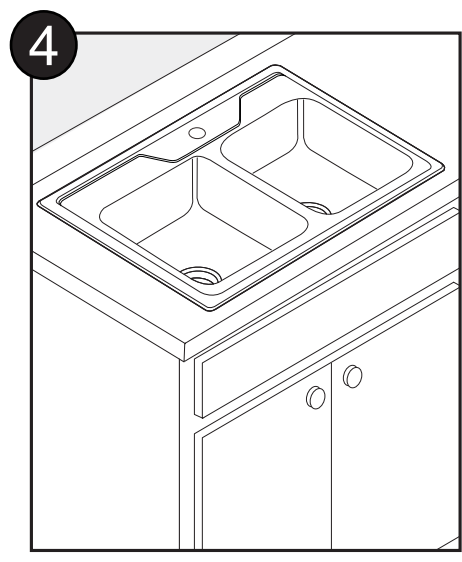
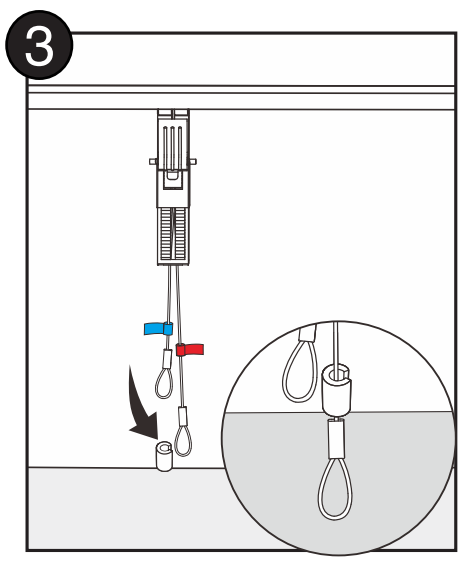
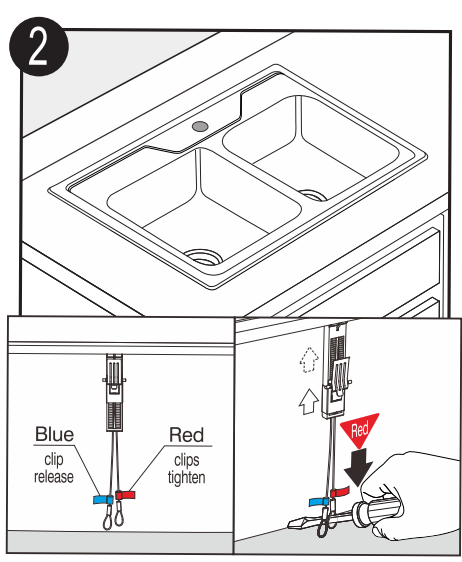
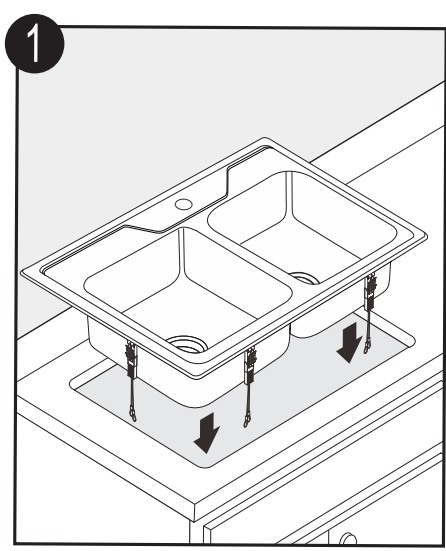
AFA Cubeline Double Bowl Double Drainer Inset Sink 1 Taphole Quick-Fit Clips 1600mm Stainless Steel

INSET INSTALLATION - QUICK-FIT CLIPS

1. Use the template provided to trace the cutout on both the benchtop and the underlay/timber lining.
2. Cut out the bench top.
3. Position the sink into the benchtop and mark out the position for the fixing clips.
4. Install a foam strip underneath the rim of the sink.
5. Install all securing clips.
6. Tighten the sink to the benchtop and ensure no gaps exist between the sink and the benchtop.

NOTE:

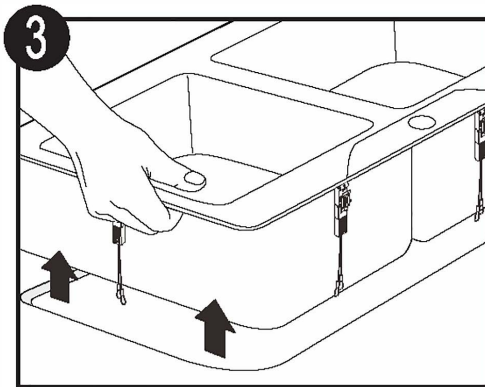
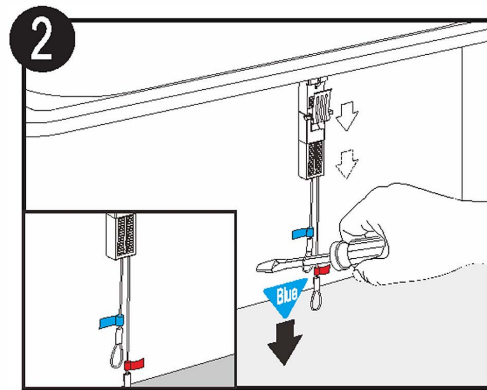
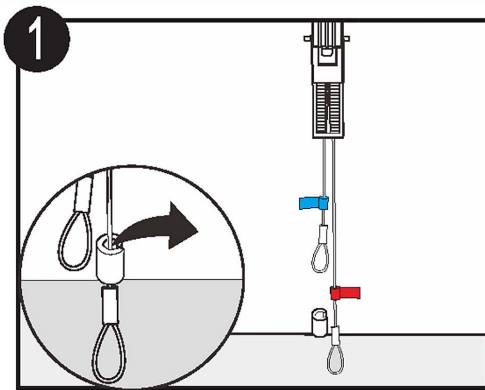
- If wall mounted tapware is to be used, consideration should be made to the length of the outlet and the positioning of the sink in the benchtop
- If tapware is to be bench mounted, allow a suitable benchtop width for fitting tapware





AFA Cubeline Double Bowl Double Drainer Inset Sink 1 Taphole Quick-Fit Clips 1600mm Stainless Steel

REMOVAL - QUICK-FIT CLIPS



CLEANING RECOMMENDATIONS:

We recommend the use of soapy water or approved cleaners. This product should not be cleaned with abrasive materials. Damage caused by any improper treatment is not covered by the product warranty. Refer to Warranty Conditions

Plumbers, please ensure a copy of the Installation Instructions are left with the end user for future reference