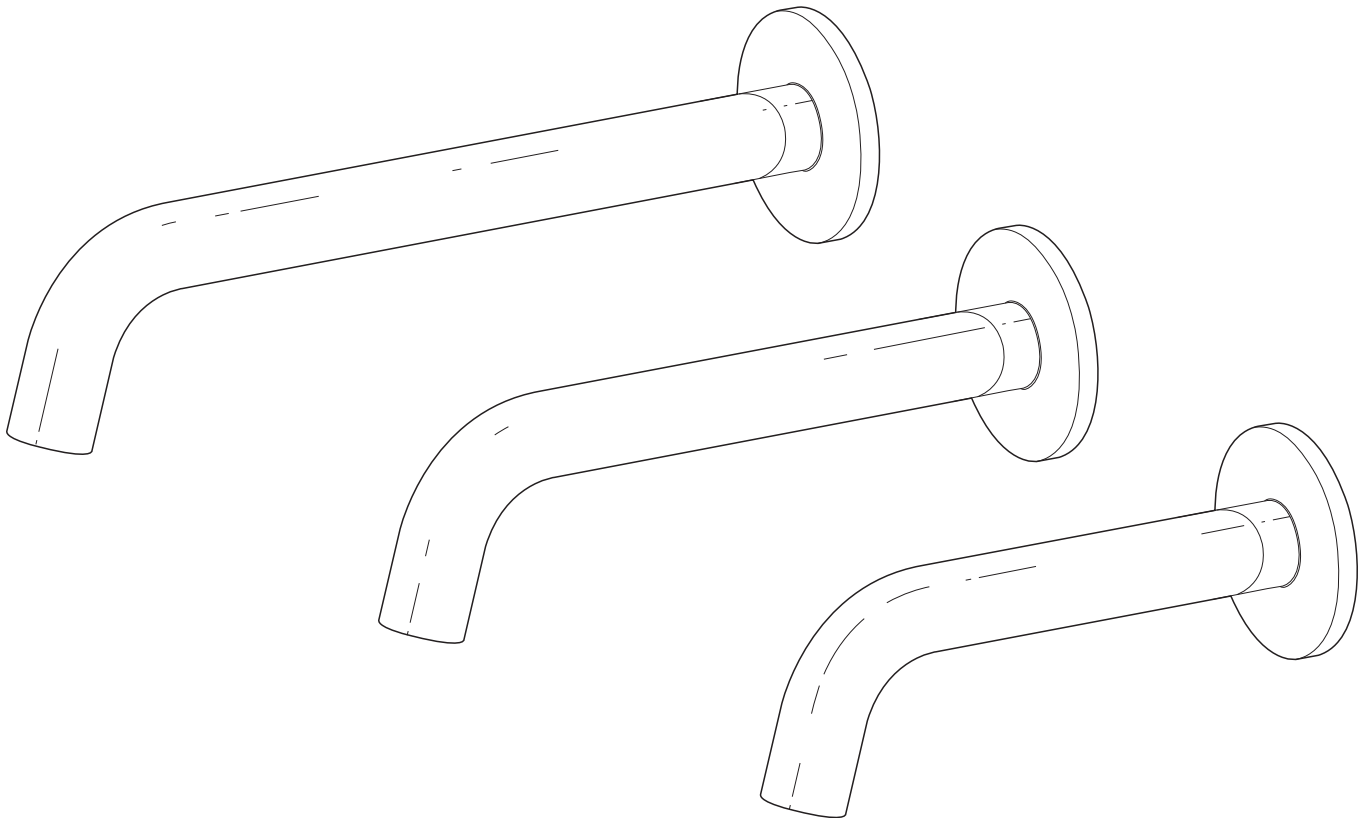


mizu

Mizu Drift Basin / Bath Outlet (6*)



Installation Instructions

Important

Outlet must be installed to the requirements of AS/NZS 3500 by a qualified

plumber. Note: This installation applies to 160mm, 200mm, 250mm and 300mm variants.

Important

Installation shall comply with Australian Standard AS3500.1 or relevant local authority requirements.

Important

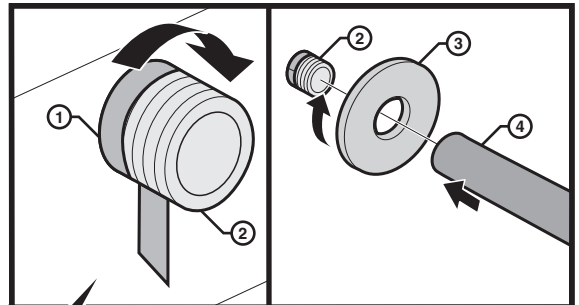
Outlet supplied is fitted with a 6 Star WELS rated aerator for basin use. Please ensure this flow controlled Aerator is tightened using the aerator key supplied to prevent removal by hand. For installation over a bath, please use the other aerator that is packaged separately.

Note: The water supply lines need to be 'flushed out' prior to installation.

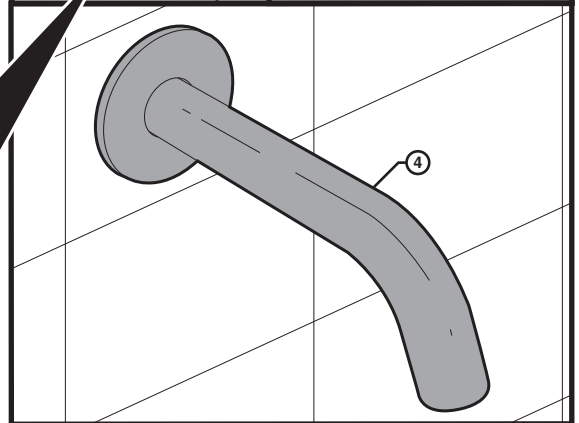
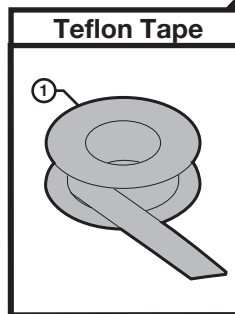
mizu

Note: For wall mounted Basin Tapware, consideration should be made to installation height and length of outlet in relation to height and positioning of basin on bench top.

- Use a suitable sealing Compound (1) (plumbing Teflon Tape or Pipe cord) on exposed Wall Thread (2).
- Fit Cover Plate (3) onto rear of Outlet (4).
- Assemble Outlet (4) to Wall Thread (2).

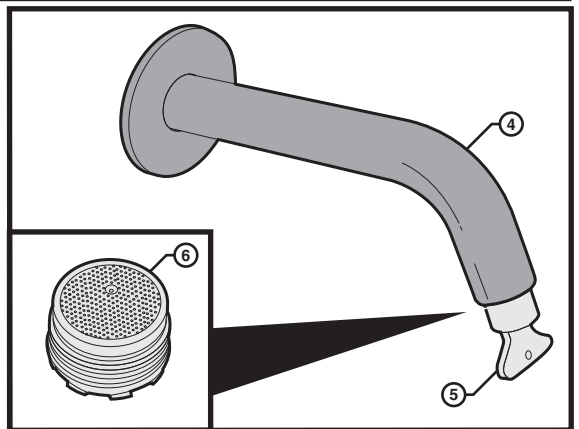


Important
Maximum Continuous Working Temperature 65c.



Note: Basin Outlet is pre-fitted with a 6 Star rated WELS Aerator. For Bath applications, Outlet Aerator must be changed to the supplied Bath Aerator packaged in the box.

- To install Bath Aerator, use Aerator Tool (5) to remove Basin Aerator from Outlet (4).
- Use Aerator Tool (5) to install Bath Aerator (6).
- Test and check for leaks.



Important
Recommended pressure range 150 – 500kPa.

Important
Maximum Continuous Working Temperature 65c.

Important
Leaking joints are not covered by the warranty.

Care Details

We recommend the use of soapy water or approved cleaners. This product should not be cleaned with abrasive materials. Damage caused by any improper treatment is not covered by the product warranty. Refer to Warranty Conditions

Plumbers, please ensure a copy of the installation instruction is left with the end user for future reference.

