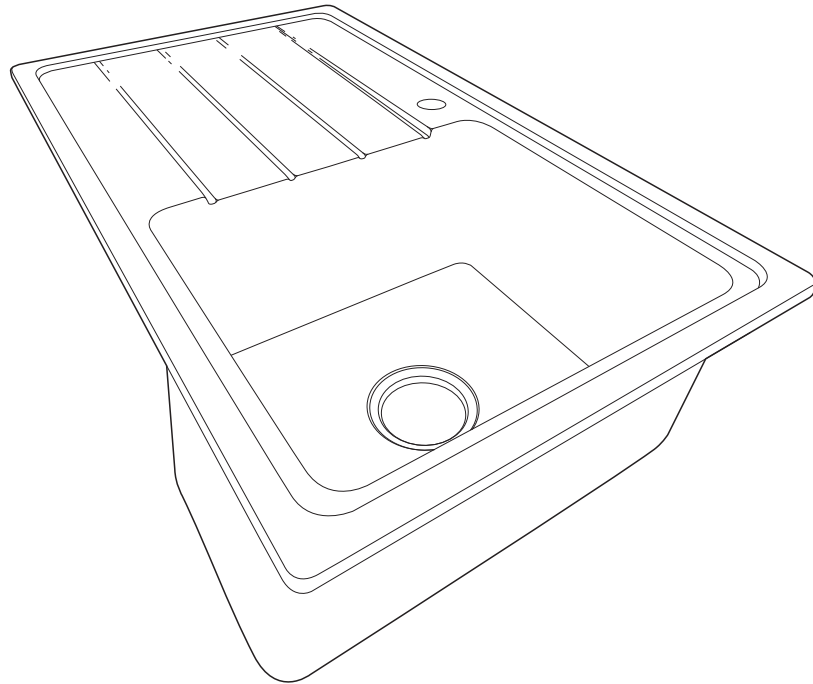
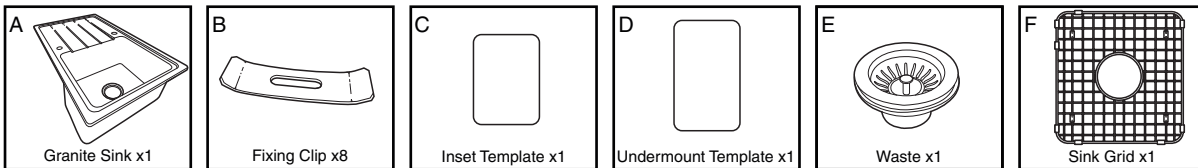


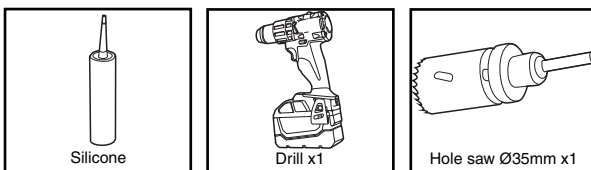
## Hugo Granite Sink and Drainer with Grid



### Components Supplied



### Tools Required



### Prior To Installation

Examine the sink for any visible defects or imperfections. Do not install if any defects are found. If wall mounted tapware is to be used, consideration should be made for the length of outlet and positioning of the sink on benchtop. If tapware is to be bench mounted, allow suitable top width for fitting tapware. Both inset and undermount cut-out templates are provided, please ensure the correct one is used for the appropriate installation method. Templates are supplied only as a guide. Be sure to refer to the physical sink for accurate measurements of the countertop cut-out hole. Template must be checked against the sink before installation. Any deviation from the template made to the cut-out must ensure the installation integrity is still met.

#### Important

**When installing consider the bench top material or any obstructions that may impede sink installation.**

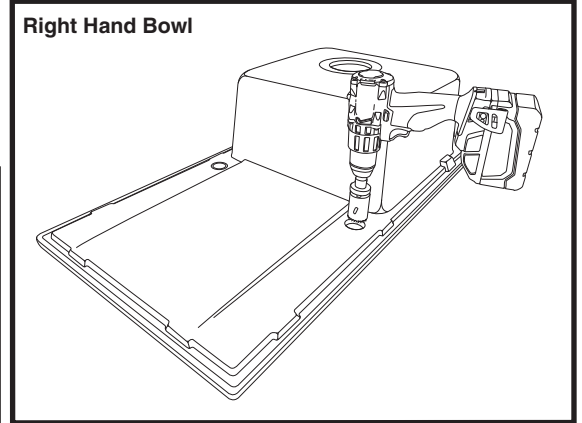
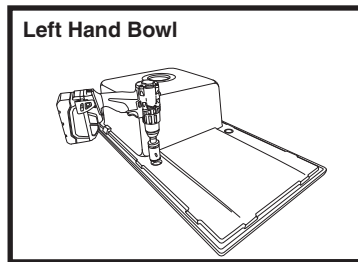
#### Important

**Plumbing connections must be installed to the requirements of AS/NZS 3500 by a qualified plumber. Modifying the product outside of the information in the installation instructions is not recommended and will not be covered under warranty.**

## Hugo Granite Sink and Drainer with Grid

### Tap Hole Cut Out

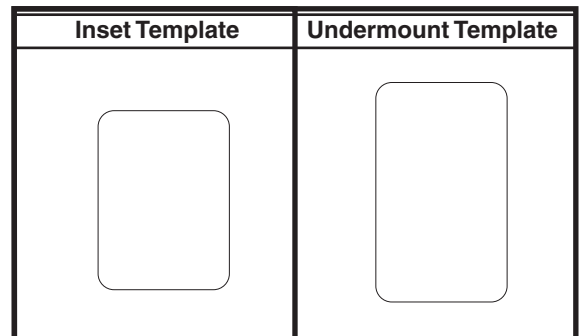
- Flip Sink over and locate the two half-drilled holes. Ensure the top of the Sink surface is kept free from being damaged
- Select hole to install the tap and use a power drill with a Ø35mm hole-saw (without drill bit fitted) at its lowest speed to drill out the remainder of the material.



### Inset & Undermount Sink Template

**Note: Ensure correct Template is selected prior to positioning.**

- Use Template provided (check the template against the Sink to be installed) then trace and cut out the benchtop.
- Position the inset template on the benchtop surface and trace the cut line with a pencil. Make sure that the Sink is perfectly centered and the outline is parallel to the counter. Place masking tape along the centre of the cut line to avoid chipping or scratching caused by the cutting tool. Cut inside the template line to create the opening.



### Undermount

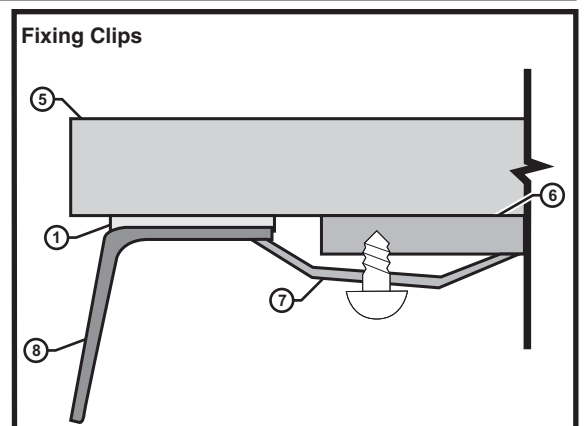


**Do not let the silicone (1) dry before the Sink is fitted to the benchtop.**

**Note: Cover sink after installation to protect surface for the end user.**

### Fixing Clips

- **Fixing Clips** - For solid benchtops (5), ensure to fix wooden blocks (6) to the underside of the bench. Ensure blocks (6) are positioned to line up with the Fixing Clip (7) markings on the undermount template. One Fixing Clip (7) end should rest on the wooden block (6) and opposite end is to rest under the Sink (8) rim.
- Remove excess silicone and allow silicone (1) to dry.
- Plumb up tapware and waste fittings.

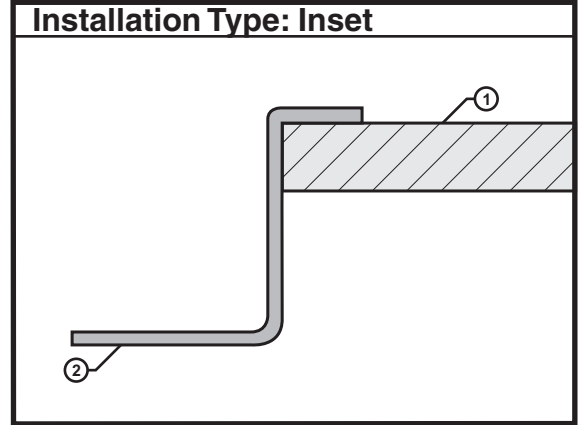


## Hugo Granite Sink and Drainer with Grid

### Inset

- Apply a bead of silicone adhesive to the bottom of the Sink rim and lower the sink into the cut-out hole.
- If required, evenly apply weight to the top surface to aid the drying of the applied silicone ensuring Sink rim is evenly spaced around the cut-out. Wipe off any excess silicone.
- Plumb up tapware and waste fittings.

**Note: Cover sink after installation to protect surface for the end user.**



### Care Details

We recommend the use of soapy water or approved cleaners. This product should not be cleaned with abrasive materials. For more detailed cleaning instructions, please refer to Granite Sink Care and Maintenance Instructions. Damage caused by any improper treatment is not covered by the product warranty - refer to Warranty Conditions.

**Plumbers, please ensure a copy of the installation instruction is left with the end user for future reference.**

