

## LAUFEN Val Wall Basin Left Hand Basin 1 Taphole with Over Flow 550x315 with Fixing Bolts White

1810951

### SPECIFICATIONS

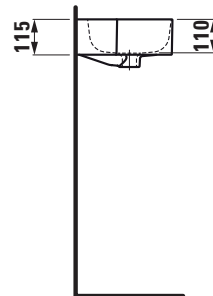
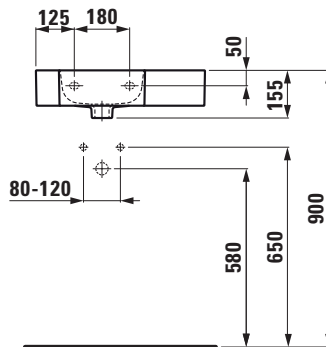
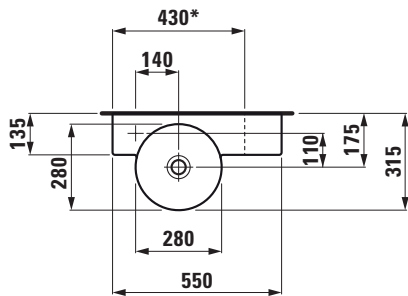
Recommended Use	Domestic, Hotel & Commercial
Material	SaphirKeramik
Basin Colour	White
Bowl Capacity	3.5 ltr
Weight	8 kg
Taphole Configuration	1 Taphole
Overflow Configuration	Integrated Overflow
Plug & Waste	Sold Separately
Tapware	Sold Separately



### WARRANTY

Warranty - Domestic Use	15 Years
Spare Parts & Labour	12 Months

*Please refer to Warranty Page for full Terms and Conditions*



\* = minimum measure for cutting

Dimensions are nominal measurements only.

### CLEANING RECOMMENDATIONS:

We recommend the use of soapy water or approved cleaners. This product should not be cleaned with abrasive materials. Damage caused by any improper treatment is not covered by the product warranty. Refer to Warranty Conditions

**Disclaimer:** Products in this specification manual must by regulation be installed by licensed and registered trade people. The manufacturer/distributor reserves the right to vary specifications or delete models from their range without prior notification. Dimensions are nominal measurements only. Dimensions and set-outs listed are correct at time of publication however the manufacturer/distributor takes no responsibility for printing errors.

Published 09/10/2020

To see the complete LAUFEN range go to [www.reece.com.au](http://www.reece.com.au)

