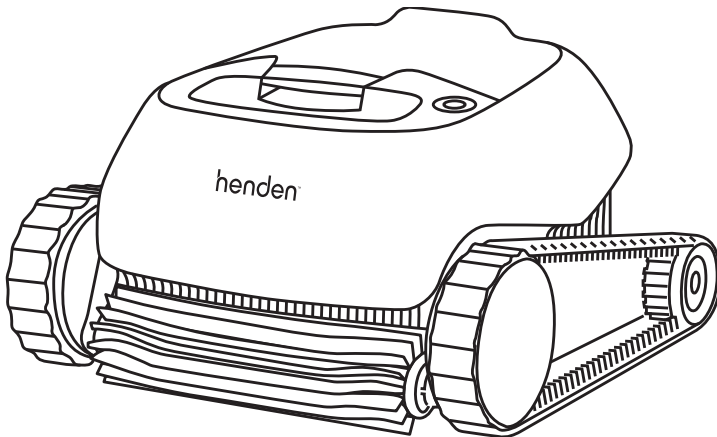


henden™

H2 Robotic Pool Cleaner

USER MANUAL



IMPORTANT
Please read carefully



CAUTIONS AND WARNINGS:
Use the originally supplied power supply only.
Do not use an extension cable in any case whatsoever.
Ensure the electrical outlet is protected by a ground fault interrupter (GFI) or an earth leakage interrupter.

Keep the power supply out of standing water.
Do not enter the pool while the Robotic Pool Cleaner is working.
Unplug the power supply before servicing.
Do not pull the Robotic Pool Cleaner from the pool using the cable.

Register your product online:
www.hendenpools.com.au/productregistration



Contents

H2 Robotic Pool Cleaner

- Introduction 4
- Helpful hints 4
- Specifications 4
- H2 product parts 5
- H2 operation 6
 - Setup 6
 - Putting the H2 into the pool 8
 - Removing the H2 from the pool 9
- Maintenance 10
 - Cleaning after use 10
 - Periodic cleaning 12
 - Cleaning the impeller 13
- Off-season storage 13
- Troubleshooting 14

INTRODUCTION

Thank you for purchasing the Henden H2 Robotic Pool Cleaner.

The Henden H2 uses clever cleaning and navigation technology to keep your pool sparkling all year long.

Designed for easy use and maintenance, the Henden H2 is a quality piece of pool equipment guaranteed to last.

HELPFUL HINTS

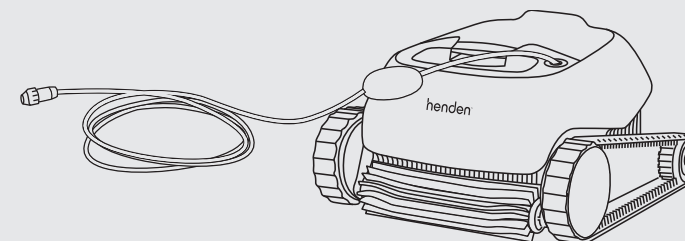
- > When working, the power supply should be placed in the shade.
- > Release minimal required floating cable length to ensure proper pool coverage.
- > Leave excess cable rolled outside the pool.
- > After each cleaning cycle wash the filter bag or cartridge. Clogged filter bags reduce scanning and cleaning efficiency.
- > Once a week unplug the cable from the power supply, unwind the tangled portions of the cable, straighten it out and leave it in the sun for several hours.
- > When not in use, store the robotic pool cleaner in a shady place upside down.

SPECIFICATIONS

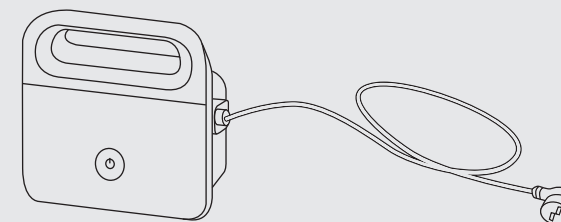
- > Use the Robotic Pool Cleaner in the following water conditions only:
Chlorine Max 4 ppm; pH 7.0-7.8;
Temperature 6-34°C (43-93°F);
NaCl Maximum = 5000 ppm.
- > Motor protection: IP 68
Minimum depth: 0.80m/2.6ft
Maximum depth: 5m/16.4ft
- > Digital Power supply
Input: 100-125 AC Volts/
200-230 AC Volts
50-60 Hertz
Output: <30 VDC
IP 54

H2 PRODUCT PARTS

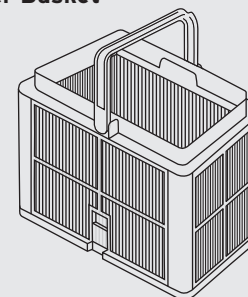
H2 Robotic Pool Cleaner



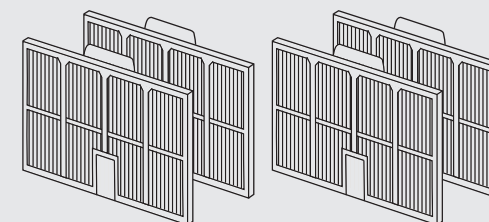
H2 Power Supply



Filter Basket



Ultra-fine filters

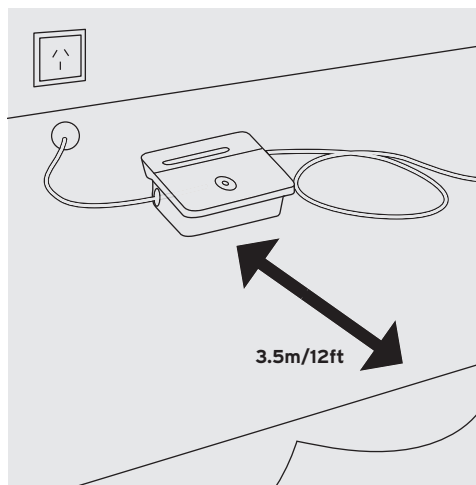


H2 OPERATION

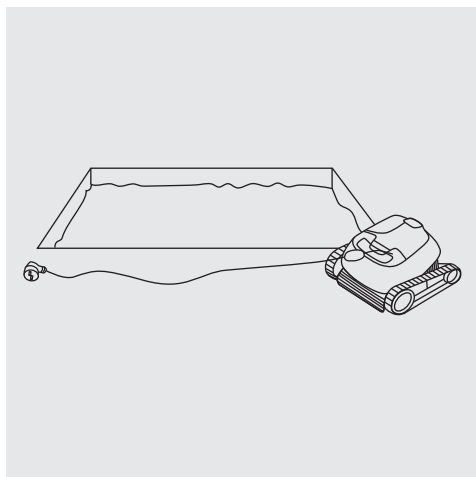
Setup

Before using the Henden H2 Robotic Pool Cleaner for the first time, perform the following steps:

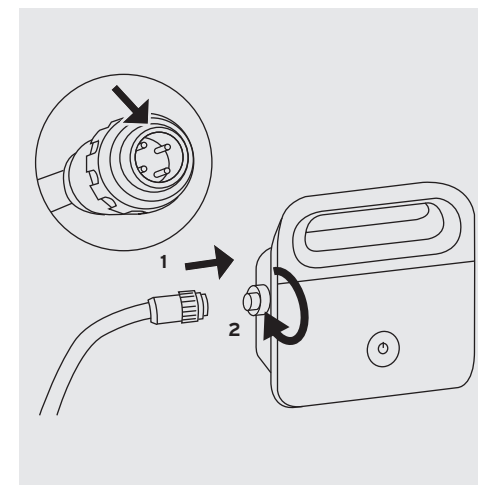
- 1 Position the power supply at least 3.5m/12ft from the edge of the pool.



- 2 Position your H2 Robotic Pool Cleaner near your power supply unit. Unwind the cable and stretch it out completely so that it has no kinks.

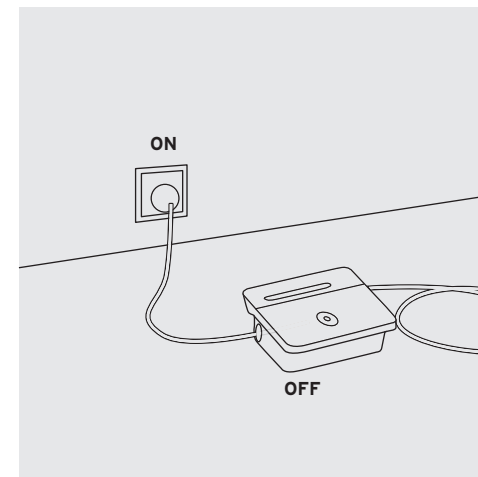


- 3 Attach the floating cable from the H2 robotic pool cleaner, to the H2 Power supply by inserting the notch (1) into the groove (2) and turning clockwise.



- 4 Plug the H2 power supply into the powerpoint and turn the power point on.

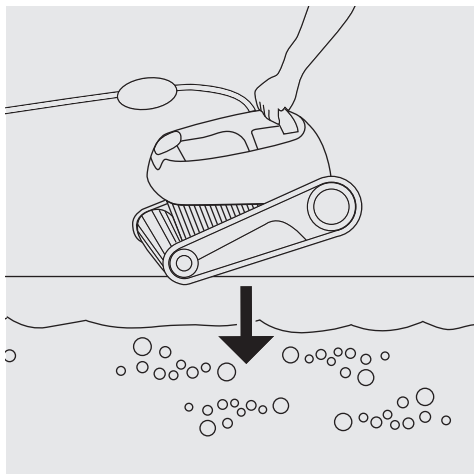
Note: do not turn the unit on via the power supply yet.



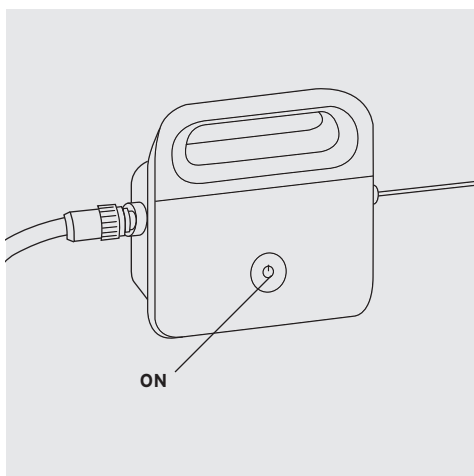
OPERATION

Putting the H2 into the pool

- 1 Place the H2 Robotic Pool Cleaner into the pool. Release it and let it sink to the floor of the pool. Make sure that the floating cable is free of any obstructions.



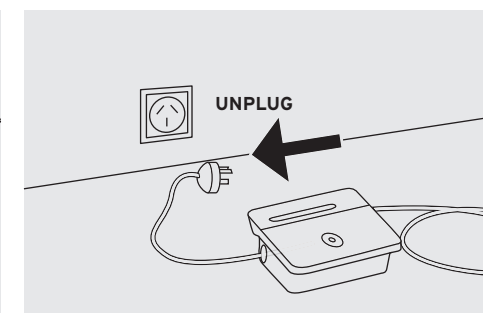
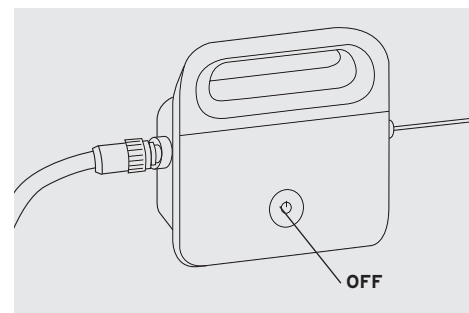
- 2 Turn the power supply ON. The H2 Robotic Pool Cleaner will now operate until it has reached the end of the cleaning cycle. Note: the power supply will turn off automatically after 3 hours.



Removing the H2 from the pool

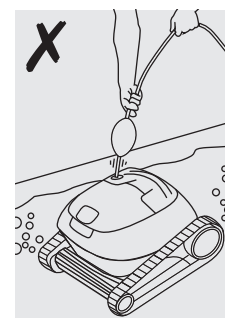
- ⚠ Make sure the power supply is switched off and unplugged.

- 1 Press the OFF button on the power supply and unplug from the power point.

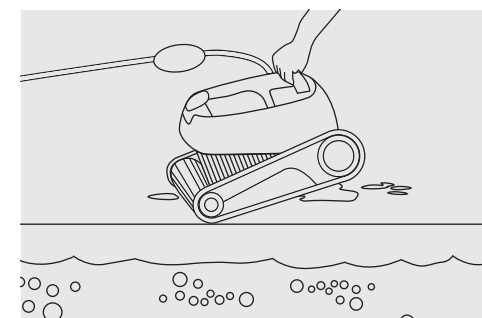


- ⚠ Do not pull the pool cleaner from the pool using the cable.

- 2 Using the floating cable, bring the H2 Robotic Pool Cleaner to the pool's edge. Using the handle, remove the unit from the pool.



- 3 Place the H2 Robotic Pool Cleaner on the edge of the pool and let the water drain out.




MAINTENANCE

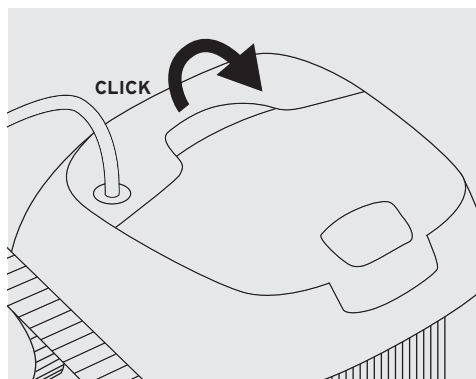
Cleaning after use

It is highly recommended to clean the filter basket after each cleaning cycle.

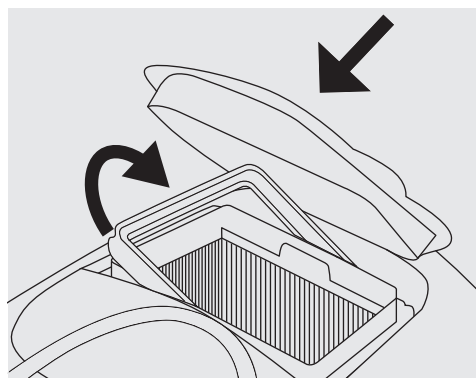
Note: Do not let the filter panels dry out before cleaning.

 Make sure the power supply is switched off and unplugged.

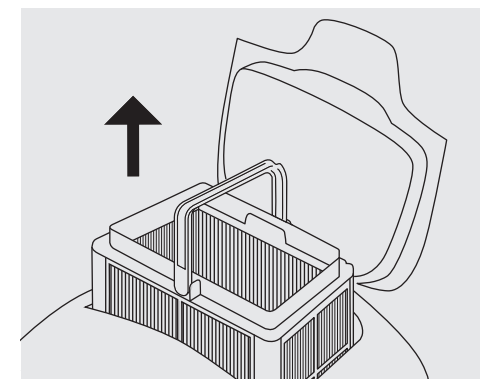
1 Open the filter cover.



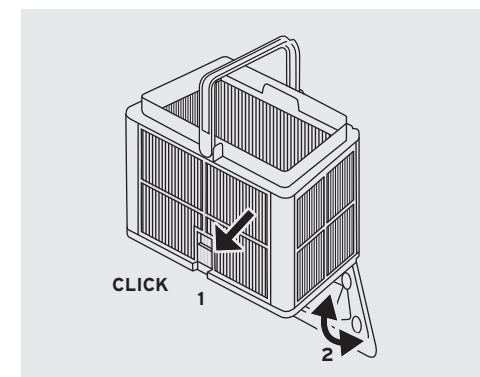
2 The basket handle will automatically pop up, making it easy for you to lift the basket out.



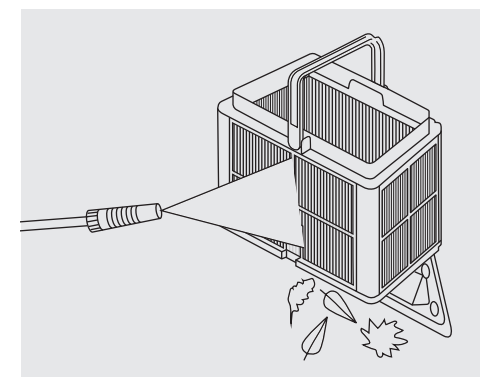
3 Lift up the basket.



4 Open the latch to release the bottom lid in order to remove the debris.



5 Rinse well with hose. Once debris is removed close and place back into your cleaner.

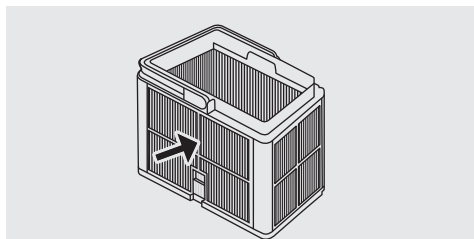


MAINTENANCE

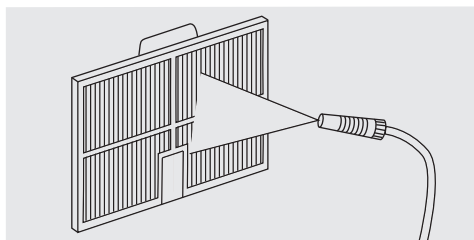
Periodic cleaning

To ensure longevity of your H2 Robotic Pool Cleaner, we recommend completing a deep clean once a month. A deep clean consists of dismantling the 4 ultra-fine filter panels on the basket, according to the following steps:

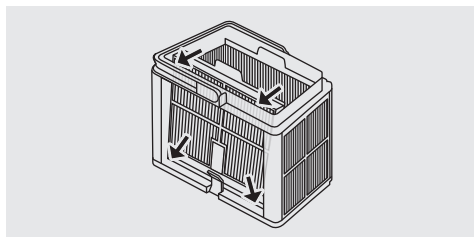
- 1 Dismantle the 4 panels using your thumbs.



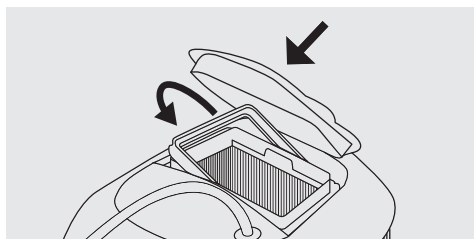
- 2 Clean the filter panels with a hose.



- 3 Reassemble the filter panels.



- 4 Insert the clean filter basket and close the filter cover. The filter basket handle will automatically fold down as you close the cover.

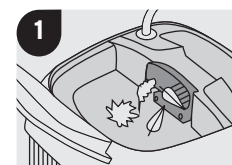


CLEANING THE IMPELLER

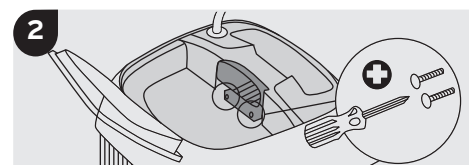
If you notice debris trapped in the impeller compartment:

-  Make sure the power supply is switched off and unplugged.

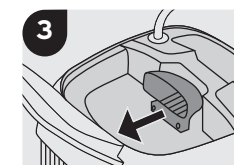
Clean the debris trapped in the impeller opening compartment, according to the following steps:



Open the lid, remove the basket and remove any debris.



Use a short screwdriver to remove the two screws on the impeller cover.

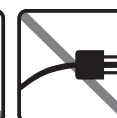
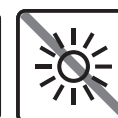
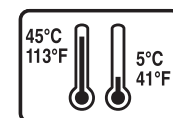


Pull the impeller cover backwards to release it. Clean the debris trapped around the impeller. Reassemble the impeller cover.

OFF-SEASON STORAGE

If the H2 Robotic Pool Cleaner will not be in use for an extended period of time, it is important to:

- > Unplug the H2 Robotic Pool Cleaner from the external power source.
- > Make sure that no water is left in the H2 Robotic Pool Cleaner. If water appears in the unit, place upside down for 24 hours then return and continue the storage process.
- > Thoroughly clean the filter basket and panels. Be sure to place them back in the unit.
- > Roll up the cable so that it has no kinks.
- > Store the H2 Robotic Pool Cleaner in a protected area out of direct sun/rain/frost, at a temperature of between 5°–45°C / 41°–113°F.



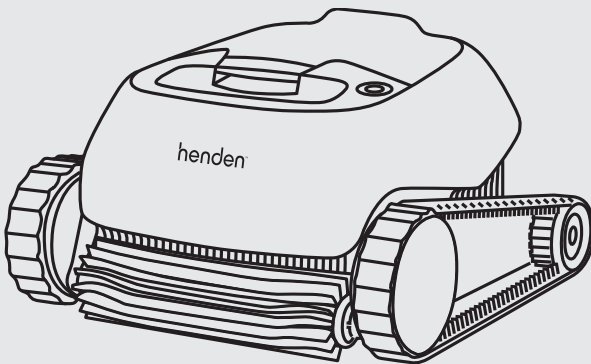
TROUBLESHOOTING

If the corrective actions supplied do not solve the problem, please visit your local Reece Irrigation & Pools branch or call 1300 Henden.

SYMPTOM	POSSIBLE REASON	CORRECTIVE ACTION
The power-supply or its switch led are not working.	No voltage in the power socket in the wall.	Check that there is voltage in the power socket in the wall.
	The power supply is not switched ON.	Check that the power supply is plugged in and turned ON.
	The power cable is not well connected into the power supply inlet.	Check that the power cable is securely connected all the way into the power supply.
		Turn the power supply off. Wait 30 seconds then turn it back on.
The H2 Robotic Pool Cleaner does not move.	The floating cable is not well connected into the power supply outlet.	Check that the floating cable is securely connected all the way into the power supply.
	An obstacle blocks the impeller, tracks or wheels.	Unplug the power supply. Open the impeller cover and check that nothing is trapped in the impeller. Verify that nothing blocks the tracks or wheels.
The H2 Robotic Pool Cleaner is moving in circles.	Clogged filter basket.	Clean the filter basket.
	Debris stuck in the impeller-house or impeller-cover.	Remove debris stuck in the impeller-house or impeller-cover (see figures 1 & 2 on page 13).
	Power supply incorrectly positioned.	Place power supply in a position so that the Pool Cleaner can freely reach all the pool area.
	Algae or pool water is out of spec.	Correct pool water conditions.
The H2 Robotic Pool Cleaner does not turn or moves in one direction only.	Debris stuck in the impeller-house or impeller-cover.	Remove debris stuck in the impeller-house or impeller-cover (see figures 1 & 2 on page 13).
The H2 Robotic Pool Cleaner moves but does not clean the pool.	Clogged filter basket.	Clean the filter basket.
	Debris stuck in the impeller-house or impeller-cover.	Remove debris stuck in the impeller-house or impeller-cover (see figures 1 & 2 on page 13).

SYMPTOM	POSSIBLE REASON	CORRECTIVE ACTION
The H2 Robotic Pool Cleaner cleans only part of the pool.	Power supply incorrectly positioned.	Place the power supply in a position so that the Pool Cleaner can freely reach all the pool area.
	Not enough floating cable is released for the correct operation of the Pool Cleaner.	Check that there is enough slack in the floating cable for the Pool Cleaner to reach all of the pool.
		Clean the filter basket.
The floating cable has kinks.	Clogged filter basket.	Clean the filter basket.
	Debris stuck in the impeller-house or impeller-cover.	Remove debris stuck in the impeller-house or impeller-cover. (see figures 1 & 2 on page 13).
		To remove the kinks, stretch the floating cable out completely and let it sit for at least a day in the sun.
The H2 Robotic Pool Cleaner doesn't climb the walls.	Clogged filter basket.	Clean the filter basket.
	Algae on walls.	Check the level of the chemicals of the water. Improper levels may allow the growth of algae making the walls slippery.
	Unsuitable pH level.	If so, adjust the levels and scrub the walls.
	Debris stuck in the impeller-house or impeller-cover.	Remove debris stuck in the impeller-house or impeller-cover (see figures 1 & 2 on page 13).

henden™



Register your product online:
www.hendenpools.com.au/productregistration

