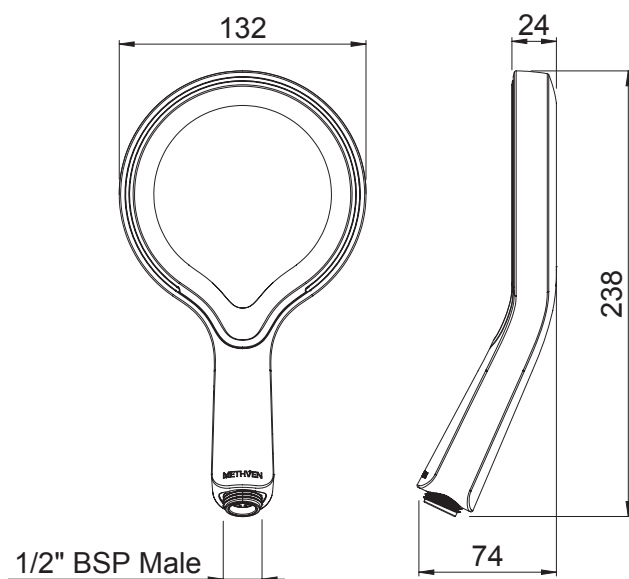


METHVEN

AIO AURAJET HANDSET



SPECIFICATIONS

Recommended Use	Domestic, hotel and commercial
Colour	Matte Black
Pressure Rating	Suitable for high pressure applications and has been WELS certified to the following: Minimum operating pressure 150kPa Maximum operating pressure 500kPa
Temperature Rating	Maximum continuous working temperature 70°C (recommended 38°C - 42°C) Minimum 1°C
Suitable Hot Water Units	Storage Tank: Yes Continuous Flow: Yes Gravity Feed: Not recommended
WELS	Stars: 3 Flow rate: 9L/min
Standards	AS/NZS 3662
Spray Patterns	Aurajet Spray

To see the complete AIO range go to www.reece.com.au/bathrooms

CLEANING RECOMMENDATIONS

We recommend the use of soapy water or approved cleaners. This product should not be cleaned with abrasive materials. Damage caused by improper treatment is not covered by the product warranty – refer to warranty conditions.



Disclaimer: Products in this specification manual must by regulation be installed by licensed and registered trade people. The manufacturer/distributor reserves the right to vary specifications or delete models from their range without prior notification. Dimensions are nominal measurements only. Dimensions and set-outs listed are correct at time of publication however the manufacturer/distributor takes no responsibility for printing errors.

Tech Page Version 1

METHVEN

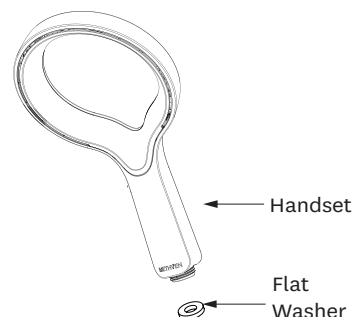
reece

METHVEN

AIO AURAJET HANDSET

INSTALLATION INSTRUCTIONS

- Connect to hose (no supplied)



Care and Cleaning

We recommend the use of soapy water or approved cleaners. This product should not be cleaned with abrasive materials. Damage caused by improper treatment is not covered by the product warranty – refer to warranty conditions on the last page.

A filter washer should be installed in the hose cone on the water outlet and it should be cleaned periodically.

If shower performance is compromised by the build-up of lime-scale, clean by using a soft toothbrush and gently scrubbing along the spray slot under running water.

