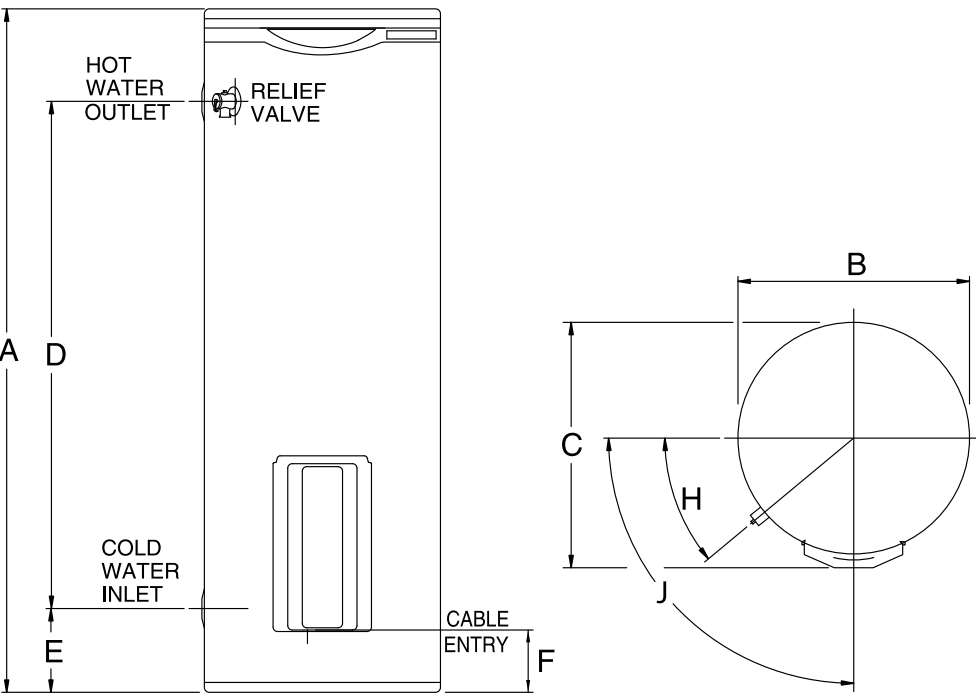


SPECIFICATIONS		50L	315L
	Everhot Model Number	623050	623315
Everhot PRO Heavy Duty Electric	Reece Product Code	1306818	1306819 (3.6kW) and 1306820 (4.8kW)
	Hot Water Delivery	Litres	50
	First Hour Delivery - 3.6kW	Litres	240
	First Hour Delivery - 4.8kW	Litres	-
	Recovery at 50°C rise - 3.6kW	Litres	190
	Recovery at 50°C rise - 4.8kW	Litres	-
	T&PR Valve	kPa	1000
	ECV Setting	kPa	850
Maximum Supply Pressure			
	without ECV	kPa	800
	with ECV	kPa	680
	Thermostat Setting (Maximum)	°C	75
	Water Hot and Cold Connections	BSPF	Rp 1 1/4
	T&PR Connection	BSPF	Rp 3/4
	kW Rating	3.6	✓
		4.8	-
			✓
Dimensions			
A	mm	675	1640
B	mm	435	640
C	mm	475	680
D	mm	405	1294
E	mm	93	128
F	mm	83	130
H	degrees	30	32
J	degrees	90	90
	Approx. Weight (inc. packaging)	kg	32
			94

Technical data is subject to change.



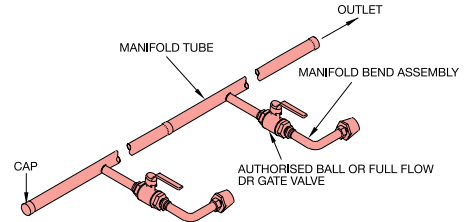
Note: Allow additional top clearance for anode replacement.

ELECTRICAL CONNECTION

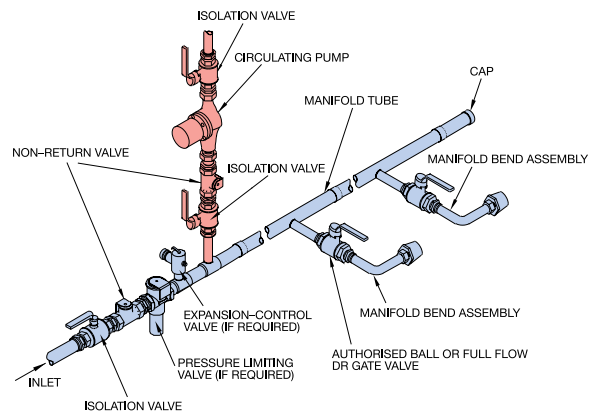
Everhot PRO commercial electric water heaters can be wired using a single phase 240 Volts AC or 3 phase 415 Volts AC "star connected" supply, one phase per element.

MANIFOLD ARRANGEMENT

Hot header assembly



Cold header assembly



20. 3 x 3.6kW available in 50L and 315L. 3 x 4.8kW available in 315L.
21. Warranty: 5 Year cylinder warranty, 1 Year parts and labour on all other components in commercial installations. Conditions apply. See the Everhot warranty set out in the Owner's Guide and Installation Instructions or view online at www.reece.com.au/Everhot.
22. Black anode suitable up to 600mg/L Total Dissolved Solids only available.

