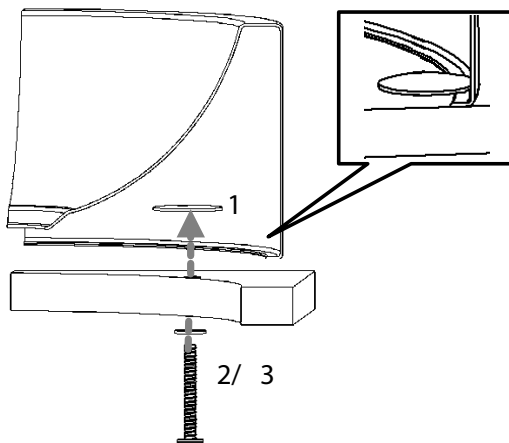


## Alape AB2 Semi Inset Basin 1 Taphole 800mm White

### INSTALLATION INSTRUCTIONS

1. Position supplied cut out template onto the benchtop and mark off.
2. Cut hole into benchtop to template size and drill the fixing holes.
3. Fit selected tapware to basin. Fit the spacer and overflow kit, and then the required waste.
4. Tighten screws to fix the basin (see fixing element 2).
5. If desired all visible external edges can be joint sealed using flexible sealant ensuring to wipe off any excess.

Fixing element 1



Fixing Element 2

